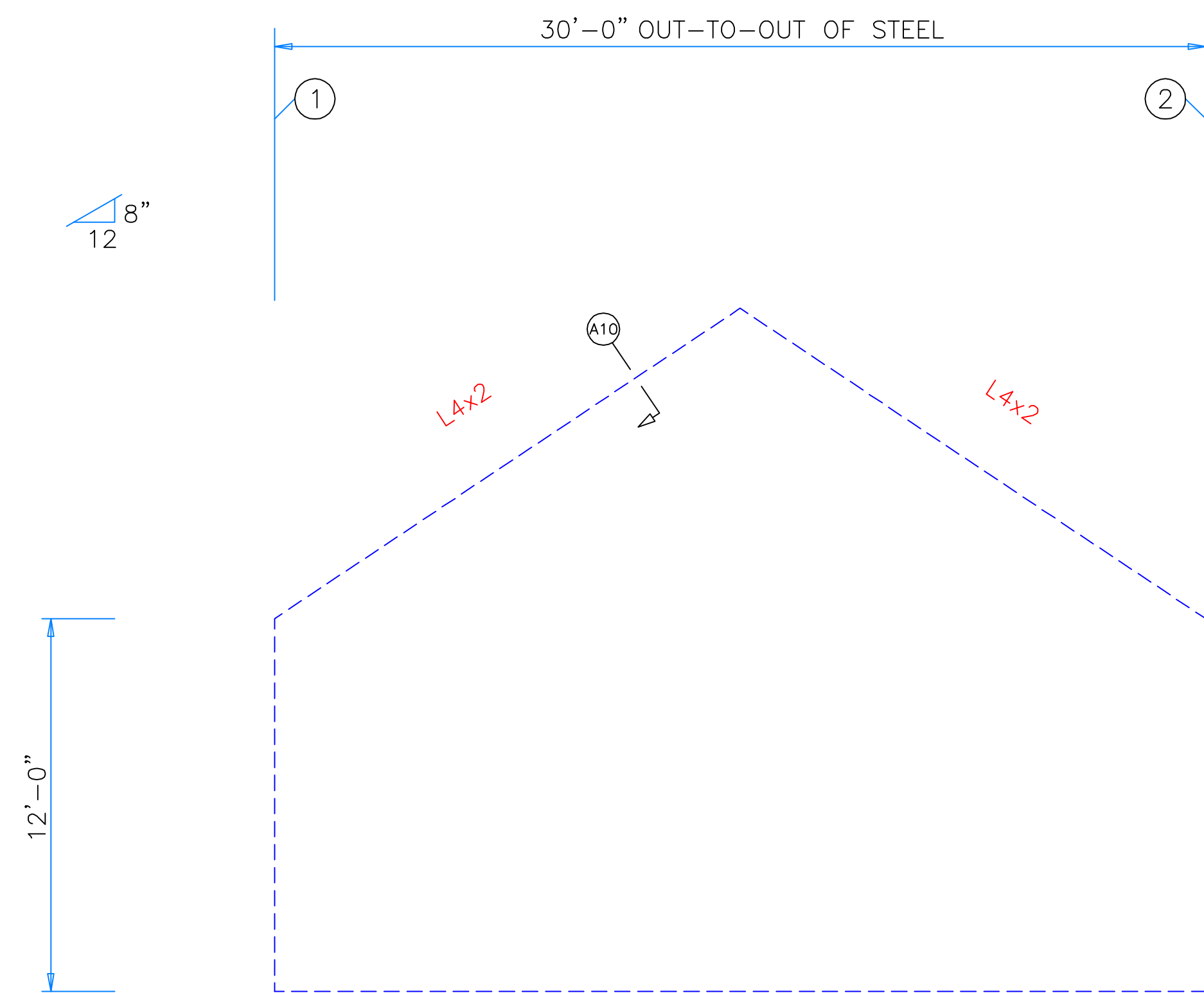
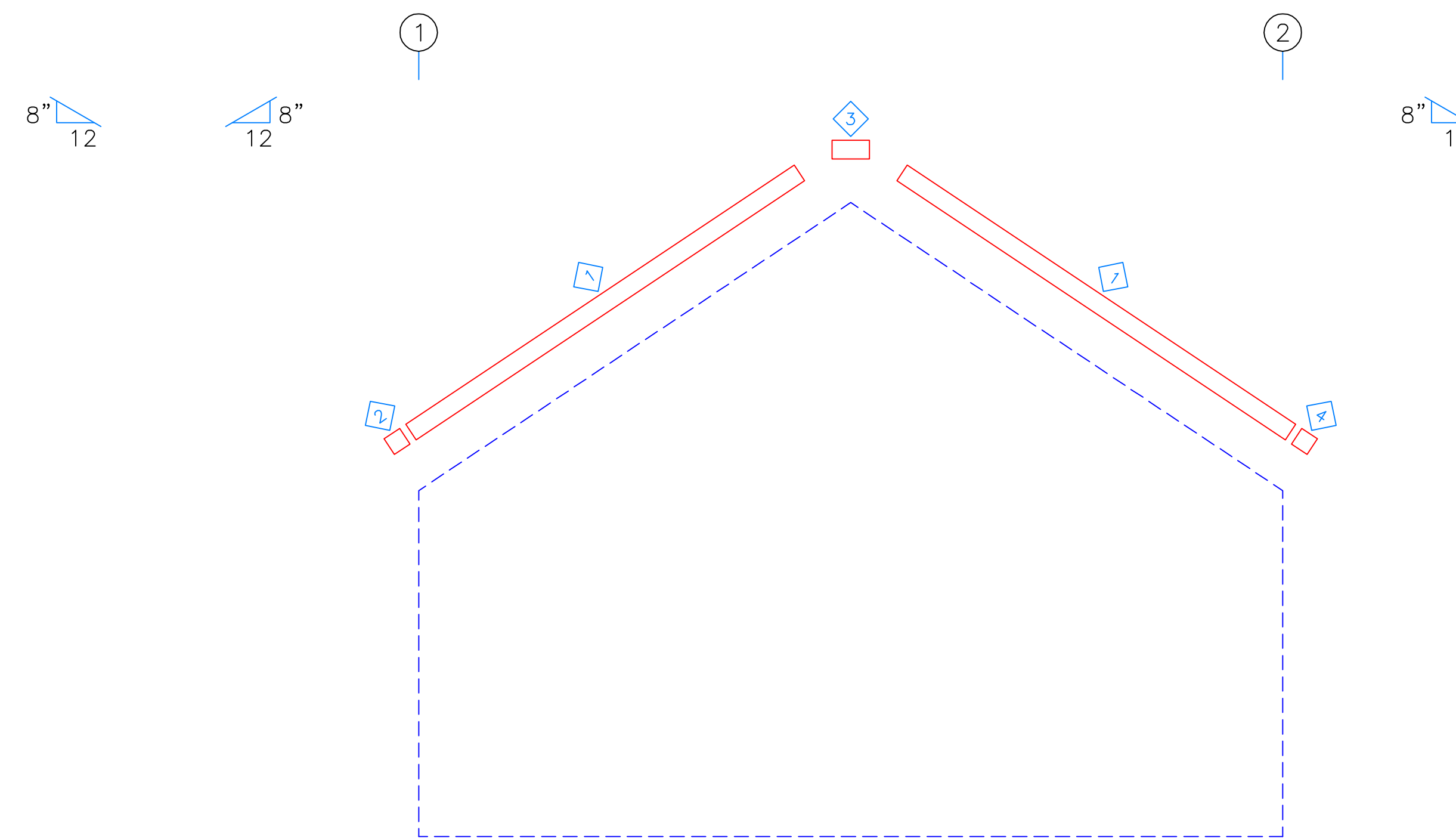



TRIM TABLE	
FRAME	LINE D
ID	MARK
1	FL4
2	FL4L
3	FL4P
4	FL4R



ENDWALL FRAMING: FRAME LINE D



ENDWALL SHEETING & TRIM: FRAME LINE D

		DESCRIPTION: ENDWALL FRAMING					
		CUSTOMER: DLR			PROJECT: PRJ		
LOCATION: PRJ Address 2							
DRN. BY	CK'D BY	DATE	SCALE	REV.	QUOTATION NO.	SHEET NO.	
DET	DES	6/23/20	N.T.S.	00	124-1	OF	

5001 Parie Road Chalmette, LA 70043
 (800) 783-2647 (504) 277-7330 (fax)
 www.corrugatedind.com