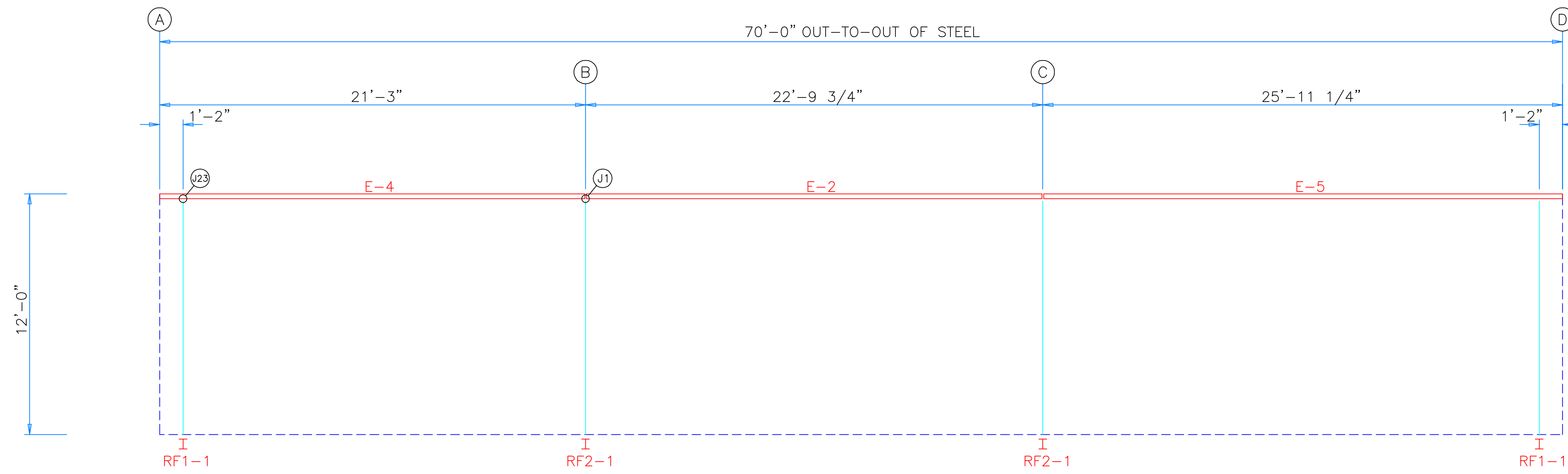
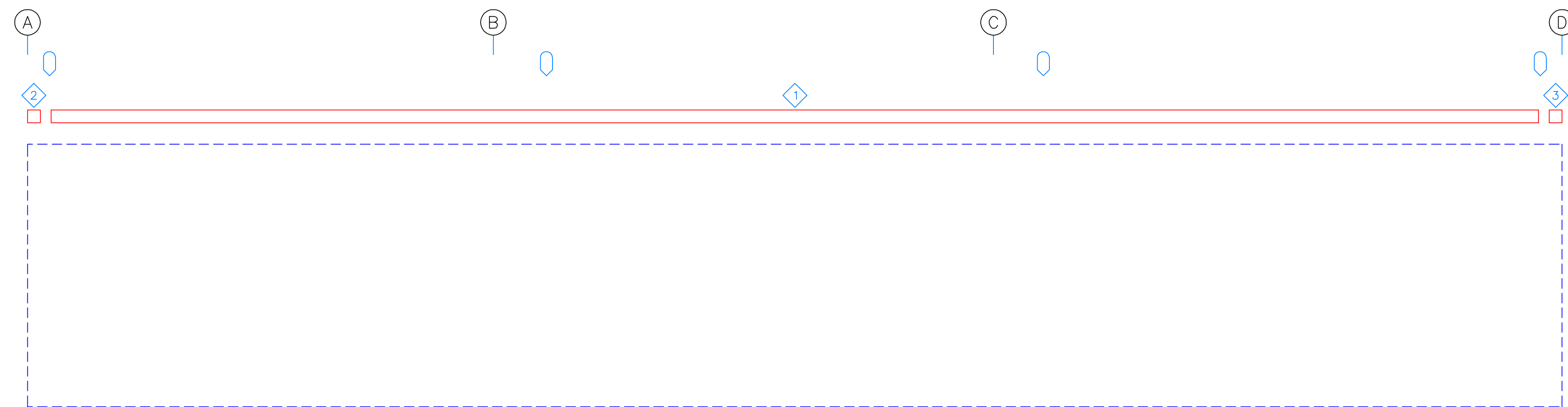


Ⓛ DOWNSPOUT LOCATIONS



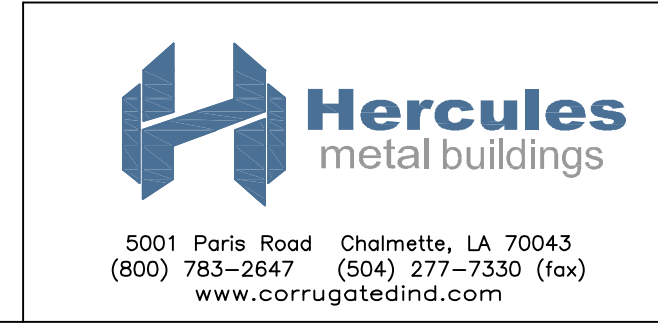
SIDEWALL FRAMING: FRAME LINE 1



SIDEWALL SHEETING & TRIM: FRAME LINE 1

MEMBER TABLE		
FRAME LINE 1		
MARK	PART	LENGTH
E-2	E105341L	22'-9 1/4"
E-4	E105341L	21'-2 1/2"
E-5	E105341L	25'-10 3/4"

TRIM TABLE	
FRAME LINE 1	
◇ ID	MARK
1	FL8
2	FL8L
3	FL8R



DESCRIPTION: SIDEWALL FRAMING							
CUSTOMER: DLR				PROJECT: PRJ			
LOCATION: PRJ Address 2							
DRN. BY	CK'D BY	DATE	SCALE	REV.	QUOTATION NO.	SHEET NO.	
DET	DES	6/23/20	N.T.S.	00	124-1	OF	