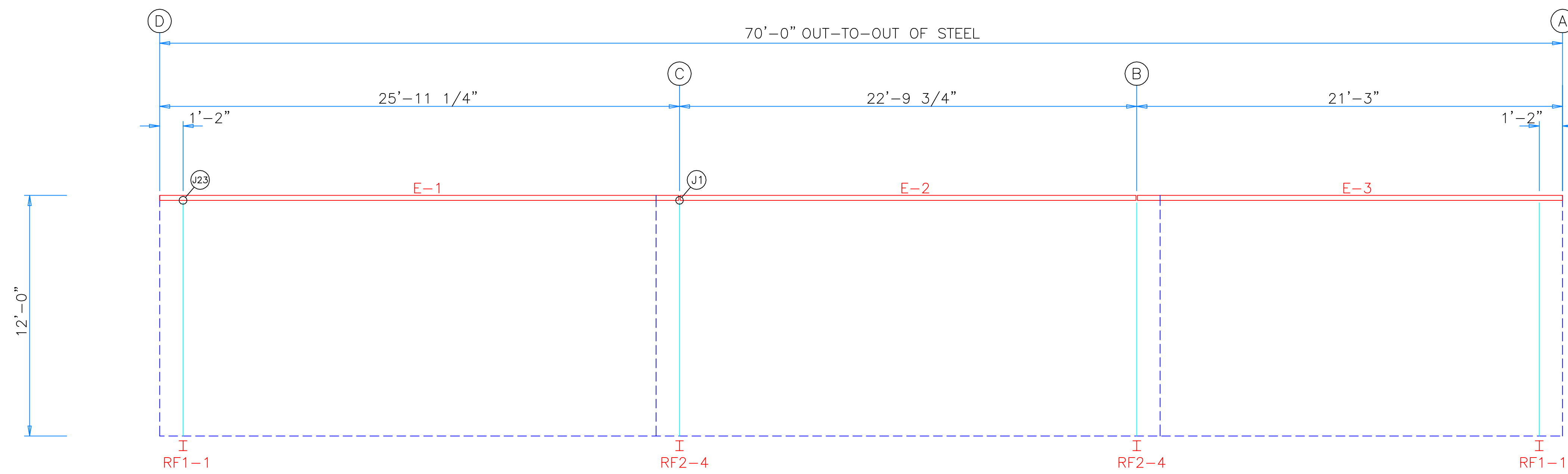
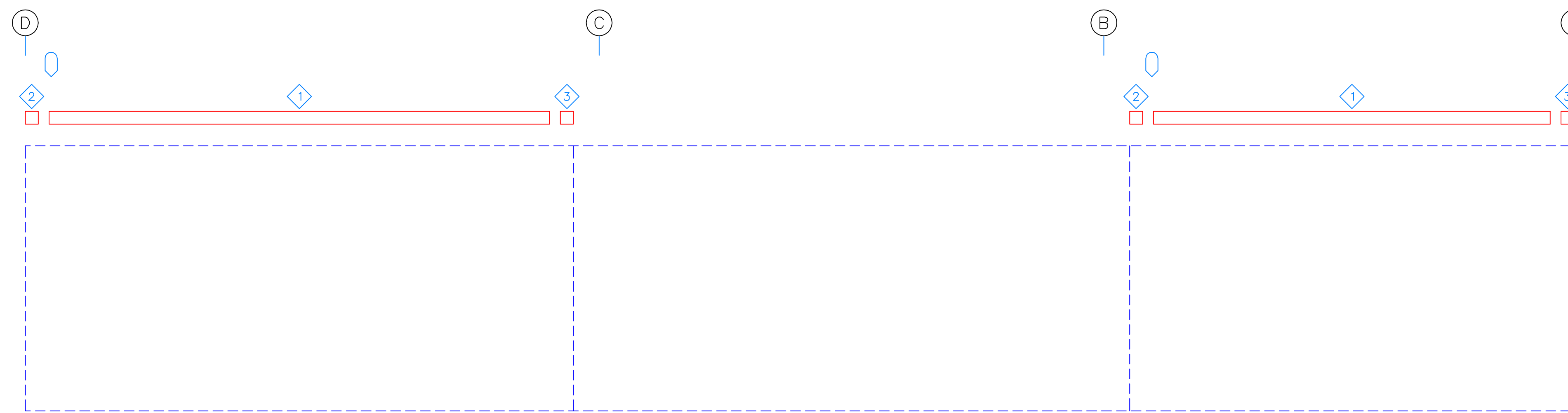


○ DOWNSPOUT LOCATIONS



SIDEWALL FRAMING: FRAME LINE 2



(124-2)

SIDEWALL SHEETING & TRIM: FRAME LINE 2
(124-2) PANELS: 26 Ga. PR - NEED SIG 200

MEMBER TABLE		
FRAME LINE 2		
MARK	PART	LENGTH
E-1	E105341L	25'-10 3/4"
E-2	E105341L	22'-9 1/4"
E-3	E105341L	21'-2 1/2"

TRIM TABLE	
FRAME LINE 2	
◇ ID	MARK
1	FL8
2	FL8L
3	FL8R



DESCRIPTION: SIDEWALL FRAMING						
CUSTOMER: DLR				PROJECT: PRJ		
LOCATION: PRJ Address 2						
DRN. BY	CK'D BY	DATE	SCALE	REV.	QUOTATION NO.	SHEET NO.
DET	DES	6/23/20	N.T.S.	00	124-1	OF