

**LEGEND**

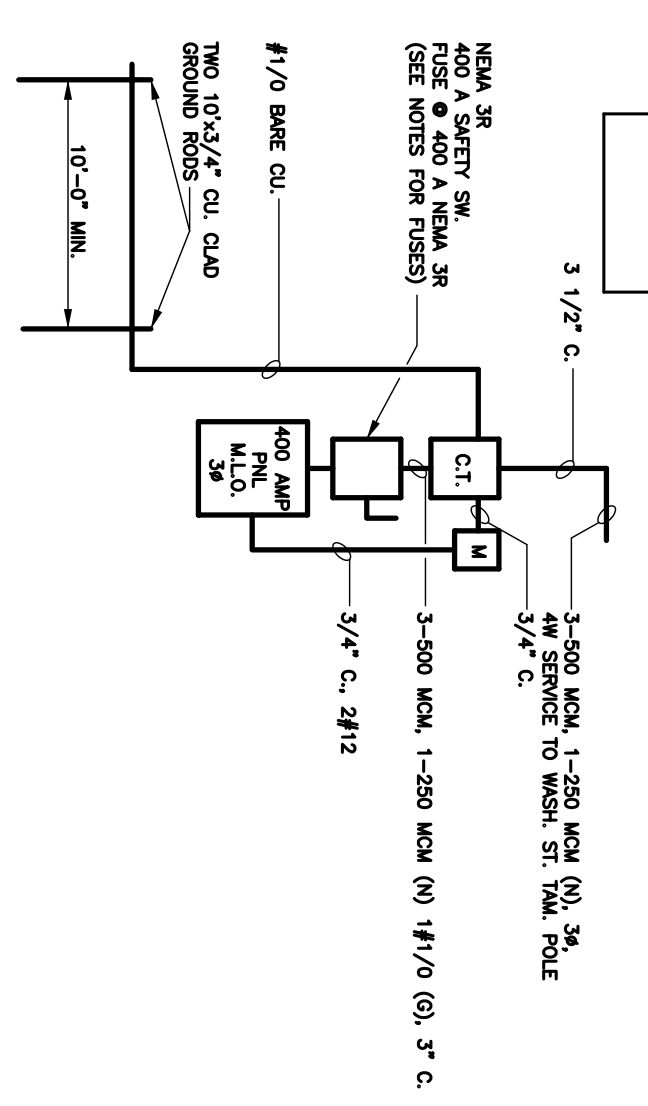
- - 2x4 FLUORESCENT FIXTURE 4T/F40/C.W.
- ▬ - 4 STRIP LIGHT
- ◐ - VENT/LIGHT
- ⊖ - EXIT LIGHT
- ⊖ - EMERGENCY LIGHT
- ⊖ - SWITCH
- ⊖ - SURFACE MOUNTED LIGHT
- ⊖ - LIGHT
- ⊖ - TRACK LIGHTING
- ⊖ - 400W LOW BAY LIGHT
- ⊖ - HOT WATER HEATER WITH SAFETY SWITCH UNDER COUNTER (5 GALLON)
- ⊖ - DUPLX RECEPTACLE
- ⊖ - GFI RECEPTACLE
- ⊖ - WEATHERPROOF RECEPTACLE GFI
- ⊖ - POWER PANEL
- ⊖ - TELEPHONE/COMPUTER
- ⊖ - DISCONNECT SWITCH
- ⊖ - SMOKE DETECTOR
- ⊖ - 208V 1φ 20A CKT FOR LIFT
- ⊖ - (2) 120V 20A CKT FOR ALIGNMENT MACHINE
- ⊖ - 208V 1φ 20A CKT FOR ALIGNMENT RACK
- ⊖ - 120V 20A CKT FOR BRAKE LATHE
- ⊖ - 120V 20A CKT FOR TIRE MACHINE
- ⊖ - 120V 20A CKT FOR WHEEL BALANCER
- ⊖ - 120V 20A CKT FOR A/C MACHINE
- ⊖ - 208V 1φ 40A CKT FOR AIR COMPRESSOR

**ELECTRICAL PLAN**  
SCALE: 3/16"=1'-0"

**ELECTRICAL NOTES**

1. ALL WORK SHALL CONFORM TO THE LATEST EDITION OF THE NATIONAL ELECTRICAL CODE, THE GOVERNING ELECTRICAL CODE, AND ALL OTHER INSPECTION DEPARTMENTS HAVING JURISDICTION. OBTAIN CERTIFICATES OR APPROVAL WHERE REQUIRED.
2. ALL MATERIALS FURNISHED SHALL BE NEW AND SHALL BE U.L. LISTED.
3. THE DRAWINGS INDICATE SIZE AND GENERAL LOCATION OF WORK. SCALE DIMENSIONS SHALL NOT BE USED. THE EXACT LOCATION AND ELEVATION OF ALL LIGHTING FIXTURES, RECEPTABLES AND TELEPHONE OUTLETS, ETC. SHALL BE DETERMINED BY ACTUAL CONDITIONS IN THE FIELD, UNLESS NOTED OTHERWISE.
4. PRIOR TO BIDDING, CONTRACTOR SHALL VISIT THE JOB SITE AND FAMILIARIZE THEMSELVES WITH THE EXISTING CONDITIONS.
5. ELECTRICAL CONTRACTOR SHALL COORDINATE HIS WORK WITH OTHER TRADES AND WITH OTHER CONTRACTORS WHOSE WORK MAY AFFECT THIS INSTALLATION.
6. ELECTRICAL CONTRACTOR SHALL COORDINATE INCOMING ELECTRICAL SERVICE WITH UTILITY COMPANY AND INCLUDE IN HIS BID ALL CHARGES AND FEES INCURRED IN CONNECTIONS.
7. WHERE MORE THAN ONE SWITCH OCCURS IN THE SAME LOCATION, THEY SHALL BE INSTALLED IN A GANG TYPE BOX UNDER ONE COVER PLATE.
8. ELECTRICAL CONTRACTOR SHALL COORDINATE THE TELEPHONE INSTALLATION WITH THE TELEPHONE COMPANY AND THE GENERAL CONTRACTOR.
9. ELECTRICAL CONTRACTOR, BEFORE INSTALLING ANY OF THE WORK, SHALL SEE THAT IT DOES NOT INTERFERE WITH CLEARANCES REQUIRED FOR FINISHED COLUMNS, HUNG CEILINGS, PLASTER PARTITIONS, WALLS, ETC. AS SHOWN IN THE ARCHITECTURAL DRAWINGS AND DETAILS. IF ANY WORK IS INSTALLED AND IT LATER DEVELOPS THAT SUCH DETAILS OR DESIGN CANNOT BE FOLLOWED, THE CONTRACTOR, AT HIS OWN EXPENSE, SHALL MAKE SUCH CHANGES IN THE WORK AS DIRECTED BY THE ARCHITECT, AS WELL AS TO PERMIT THE INSTALLATION OF THE ARCHITECTURAL WORK AS SHOWN ON THE PLANS AND DETAILS.
10. REPROGRAM TEST REQUIRED BY THE OWNER OR THE ENGINEER IN CONNECTION WITH THE OPERATION OF THE ELECTRICAL SYSTEM IN THE BUILDING.
11. ALL TESTS SHALL BE MADE IN ACCORDANCE WITH THE LATEST STANDARD OF THE IEEE AND THE NATIONAL ELECTRICAL CODE.
12. MINIMUM CONDUCTOR SIZE SHALL BE #12, 600V INSULATION, MINIMUM SIZE CONDUIT SHALL BE 3/4" EMT FOR INTERIOR USE, AND 3/4" RIGID ALUMINUM FOR EXTERIOR USE. USE TYPE NMC CABLE COPPER, FOR LIGHTS & RECEPTACLE CIRCUITS. EXTERIOR FITTINGS SHALL BE CAST BOXES AND COVERS. INTERIOR FITTINGS SHALL BE CAST WHERE EXPOSED ON WALLS. STAMPED BOXES MAY BE USED ABOVE CEILINGS IN AIR CONDITIONED SPACES.
13. CONTRACTOR SHALL INSTALL WIRING AND OTHER CIRCUIT COMPONENTS TO MATCH EQUIPMENT ACTUALLY INSTALLED.
14. INSTALL GROUND FAULT RECEPTABLES AT RECEPTACLE LOCATIONS WITHIN 5' OF SINKS OR LAVATORIES, AND AT EXTERIOR LOCATIONS. EXTERIOR RECEPTABLES SHALL ALSO BE WEATHERPROOF.
15. BONDING AND GROUNDING SHALL BE IN ACCORDANCE WITH NFPA 70:250-63, NFPA 250-23, 250-71, & 250-72.
16. GROUND NEUTRAL IN ACCORDANCE WITH NFPA 70:250-23b.
17. FUSES SHALL BE ITT CLASS K5, 250 VOLT, 200,000 AMP INTERRUPTING CAP.
18. PROVIDE SERVICES OF A FIRE/SMOKE DETECTION & ALARM COMPANY TO DESIGN & INSTALL ALARM SYSTEM TO MEET REQUIREMENTS OF THE STATE FIRE MARSHALL.
19. EXTERIOR LIGHTING SHALL BE SHADDED OR INWARDLY DIRECTED IN SUCH A MANNER SO THAT NO DIRECT LIGHTING OR GLARE IS CAST BEYOND THE PROPERTY LINE. THE INTENSITY OF SUCH LIGHTING SHALL NOT EXCEED ONE FOOT CANDLE AS MEASURED AT THE ABUTTING PROPERTY LINE.
20. ALL ELECTRICAL, MECHANICAL & PLUMBING PENETRATING FIRE PARTITIONS SHALL BE FIRE CAULKED. (PENETRATIONS THROUGH RATED CONSTRUCTION SHALL BE SEALED WITH A MATERIAL CAPABLE OF PREVENTING THE PASSAGE OF FLAMES AND HOT GASES WHEN TESTED IN ACCORDANCE WITH ASTM-E814.)

**ELECTRICAL RISER DIAGRAM**  
N.T.S.



<p>CROSSGATES TIRE AND AUTOMOTIVE CENTER</p> <p><b>DAMMON ENGINEERING, INC.</b></p> <p>ARCHITECTS — ENGINEERS</p> <p>2000 OLD SPANISH TRAIL, STE 100 985-649-5832 SLIDELL, LA. 70458</p> <p>DAMMONENGINEERING.COM</p>	<p><b>ELECTRICAL PLAN</b></p> <p>MCMATH CONSTRUCTION</p> <p>MILITARY ROAD</p> <p>SLIDELL, LOUISIANA</p>	<p>DATE: 12-17-03</p> <p>JOB NO. 1153</p> <p>FILE:</p> <p>SCALE: AS NOTED</p> <p>SHEET</p> <p style="font-size: 2em; font-weight: bold;">E-1</p> <p>OF</p>
---	---	--