

Engberg Anderson Design Partnership, Inc.
MILWAUKEE • MADISON

AMERICAN DENTAL PARTNERS- METAIRIE

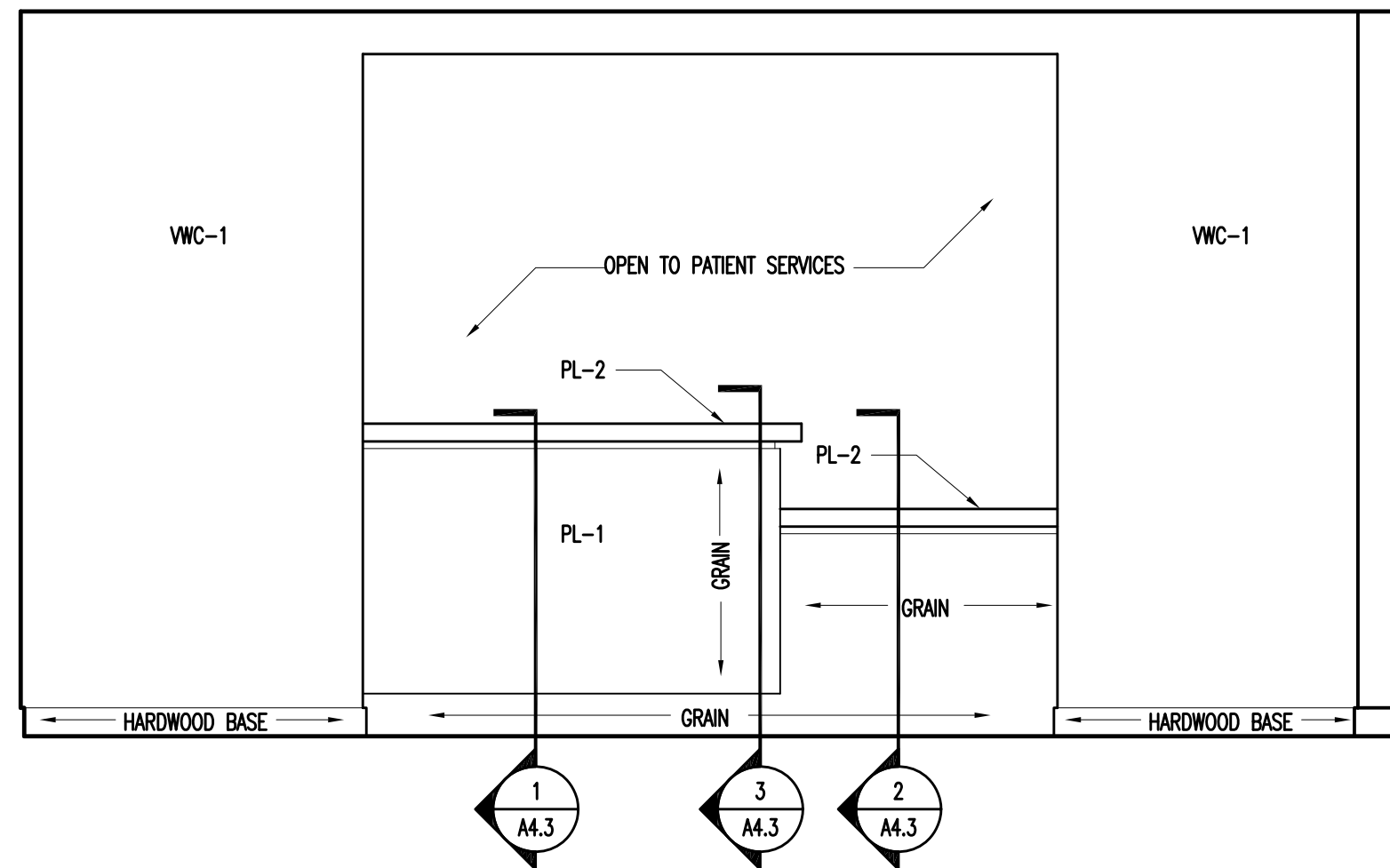
2400 VETERANS BOULEVARD SUITE 210
KENNER, LOUISIANA

Owner
American Dental Partners, Inc.
3000 W. Esplanade Ave. Suite 200
Metairie, LA 70002

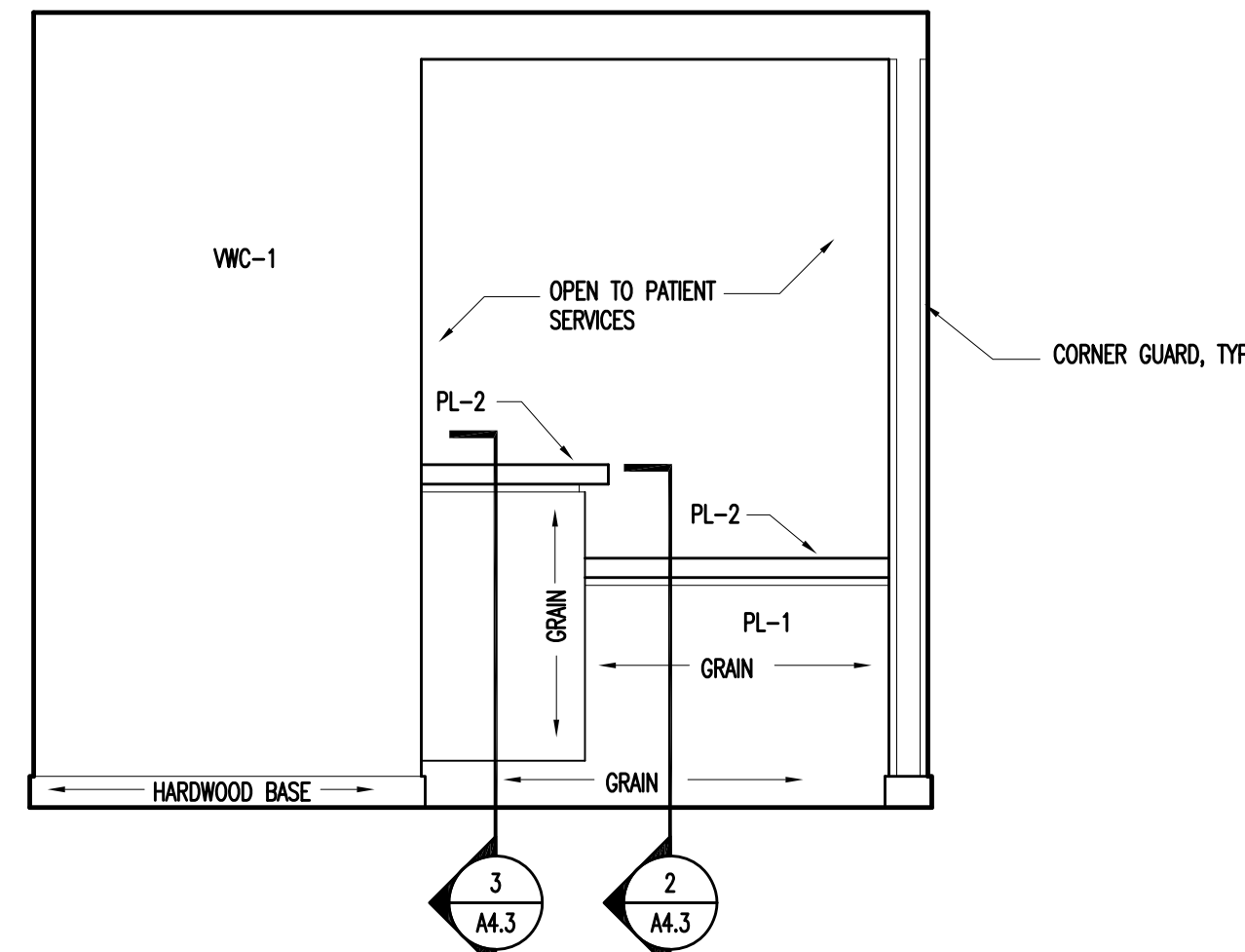
Project No 071750

Issued For:

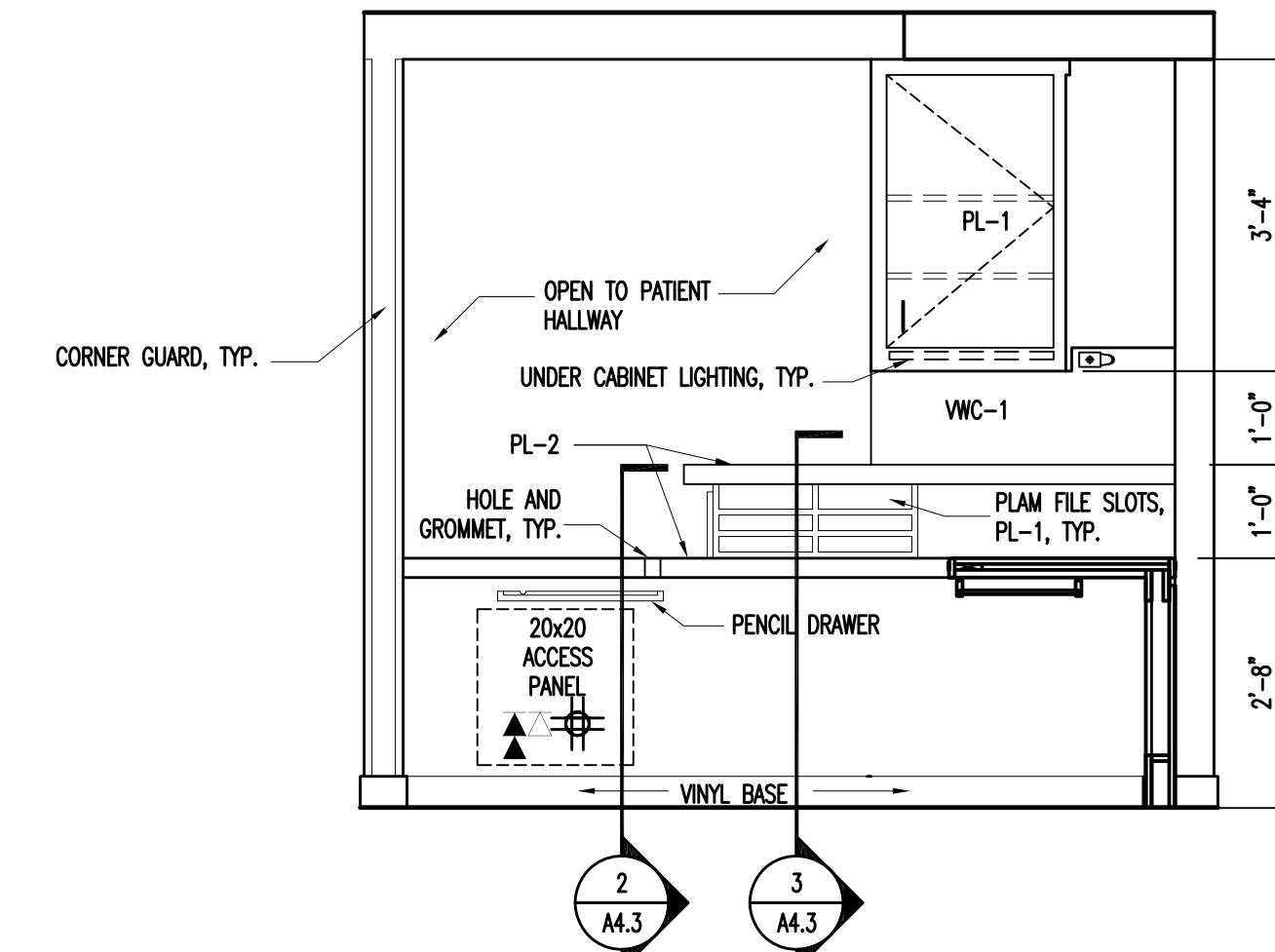
No.	Description	Date
01	ISSUED FOR BID	10-17-07



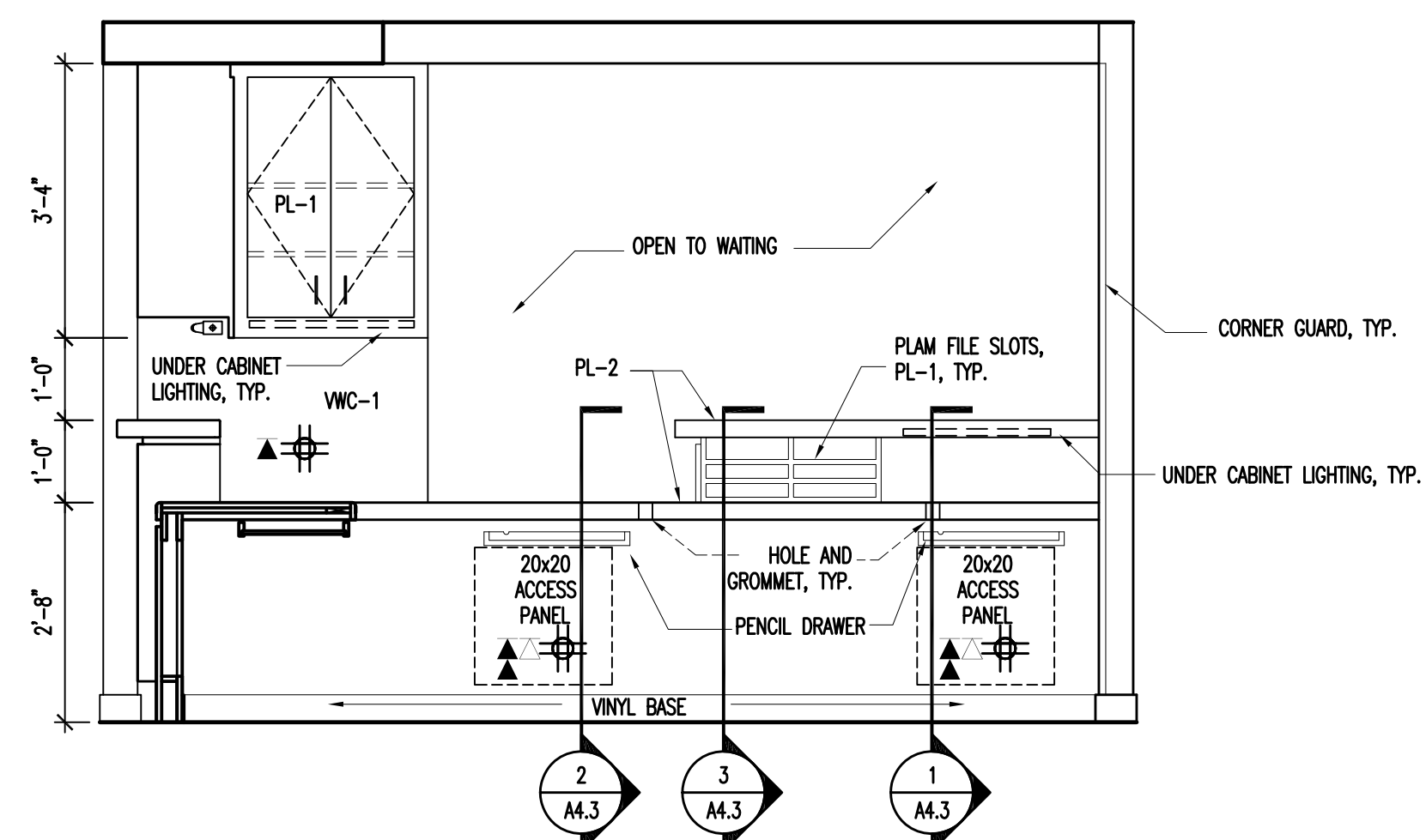
1 Front of Reception Desk - Check In
SCALE: 1/2"=1'-0"



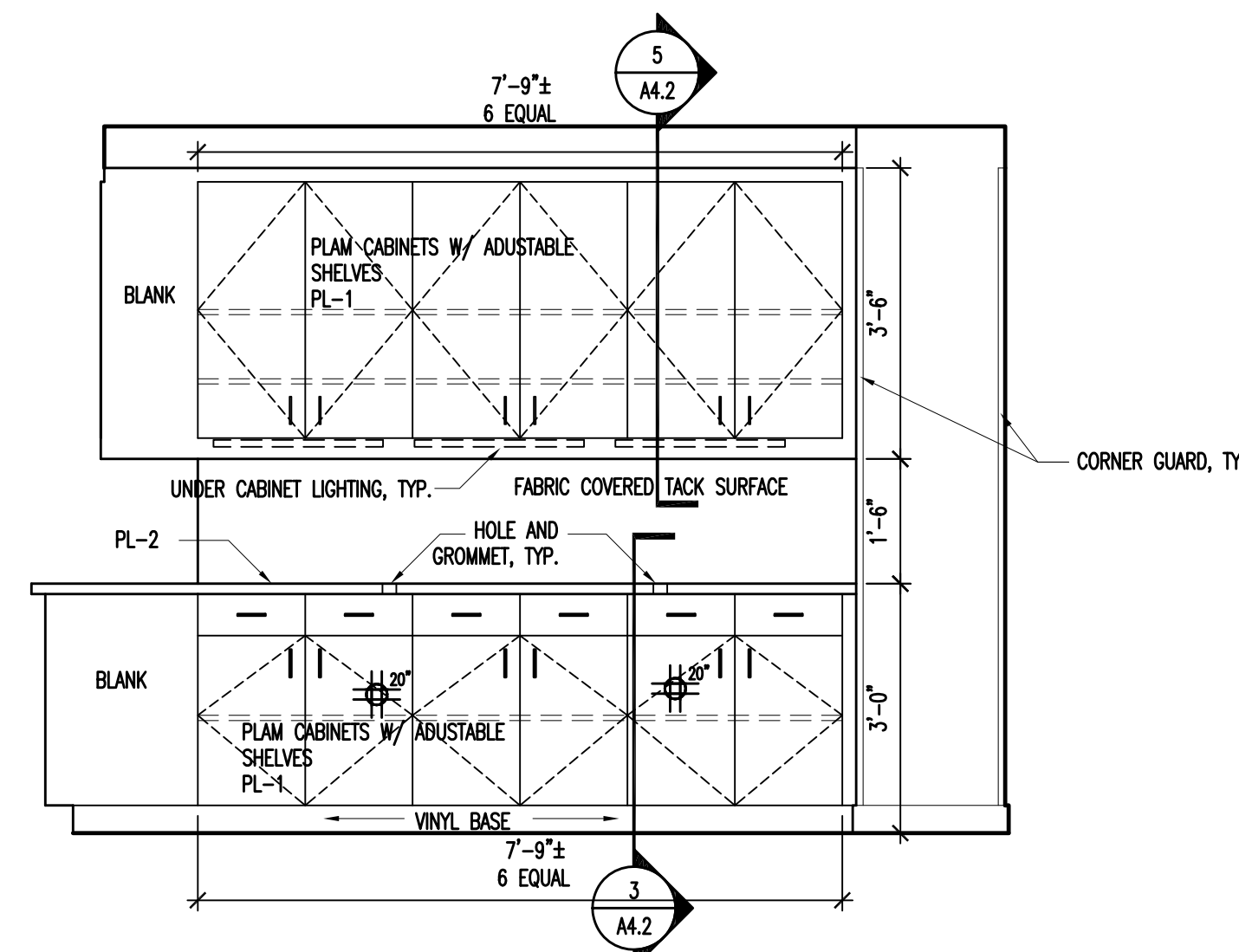
2 Front of Reception Desk - Check Out
SCALE: 1/2"=1'-0"



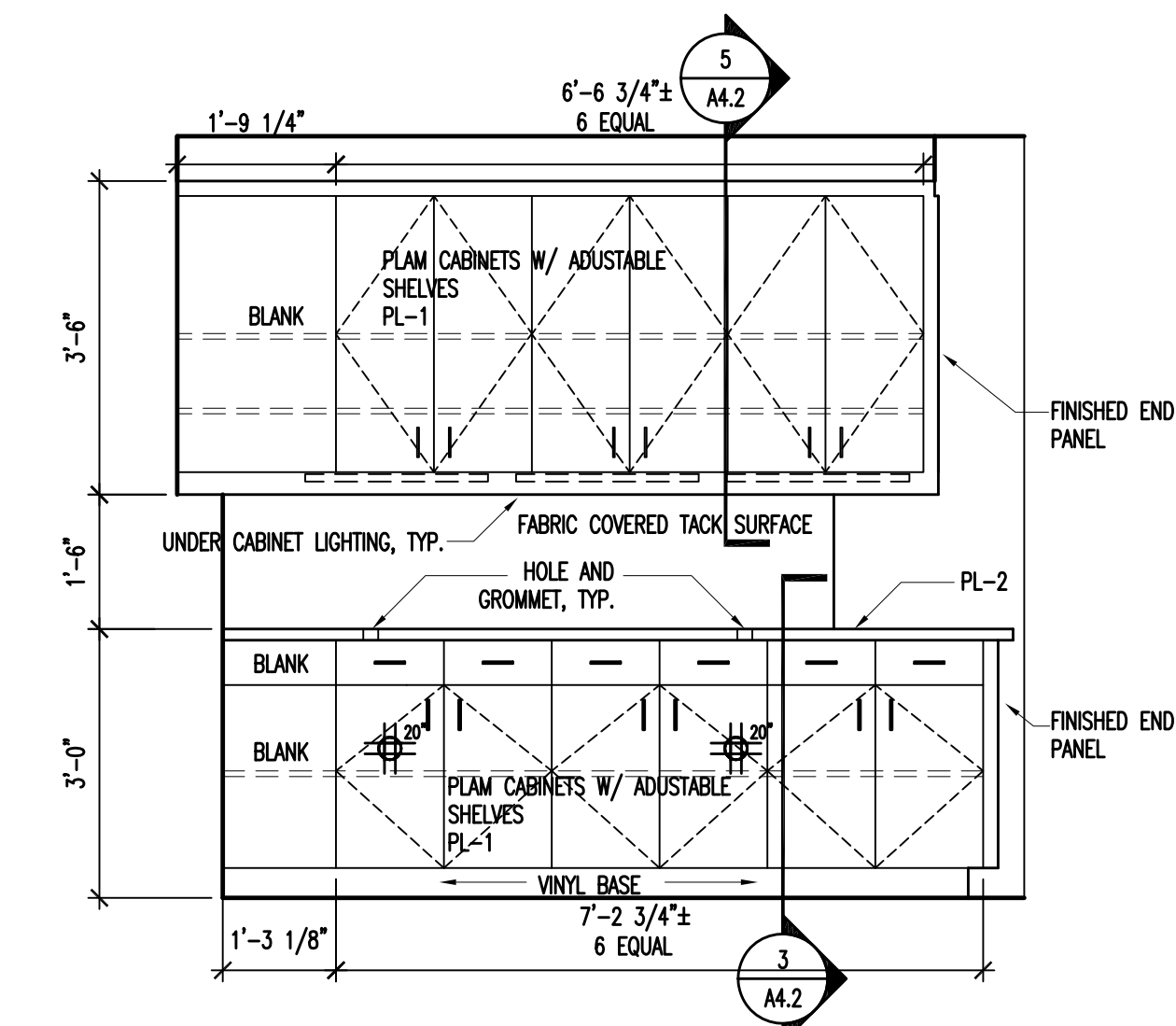
3 Back of Reception Desk - Check Out
SCALE: 1/2"=1'-0"



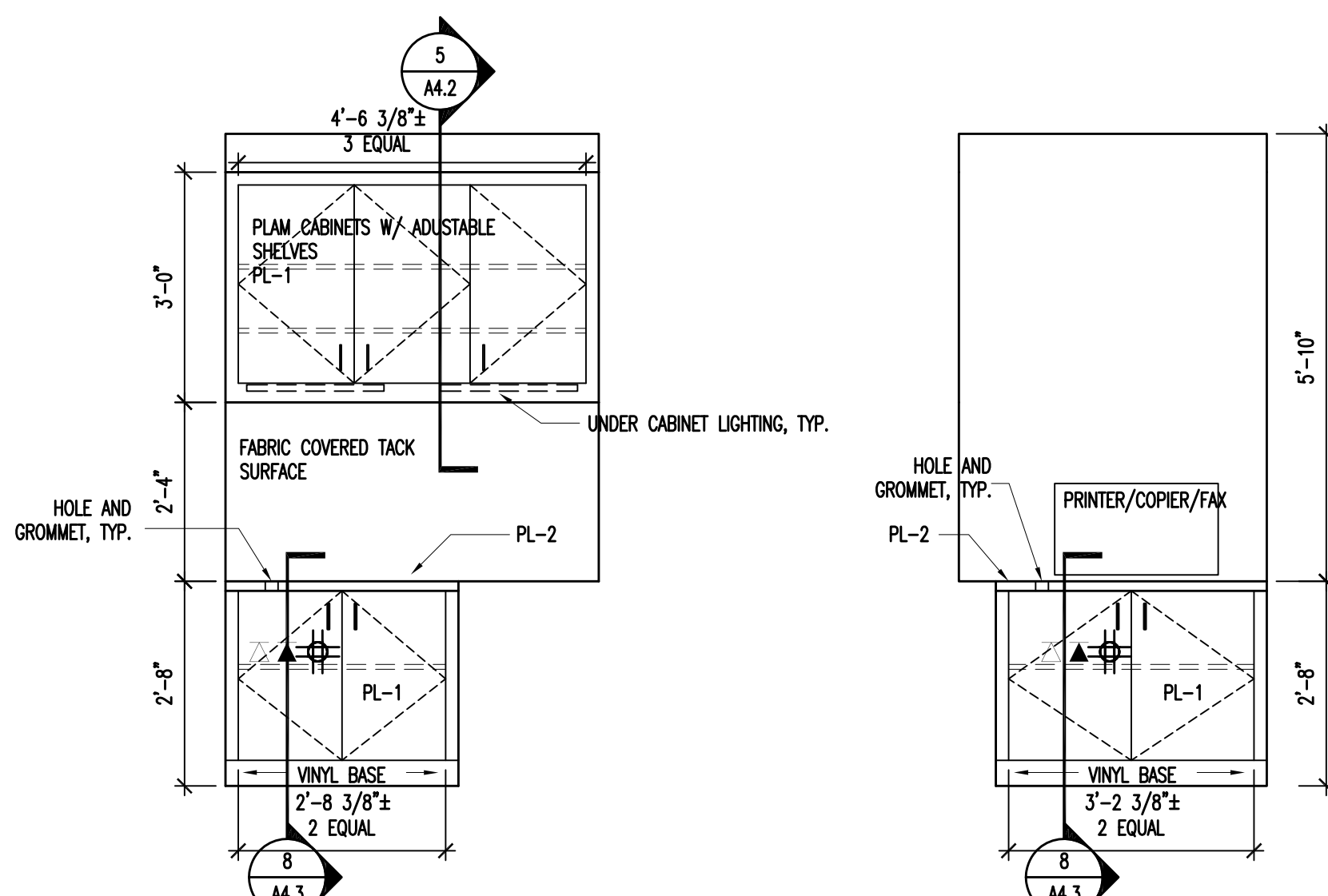
4 Back of Reception Desk - Check In
SCALE: 1/2"=1'-0"



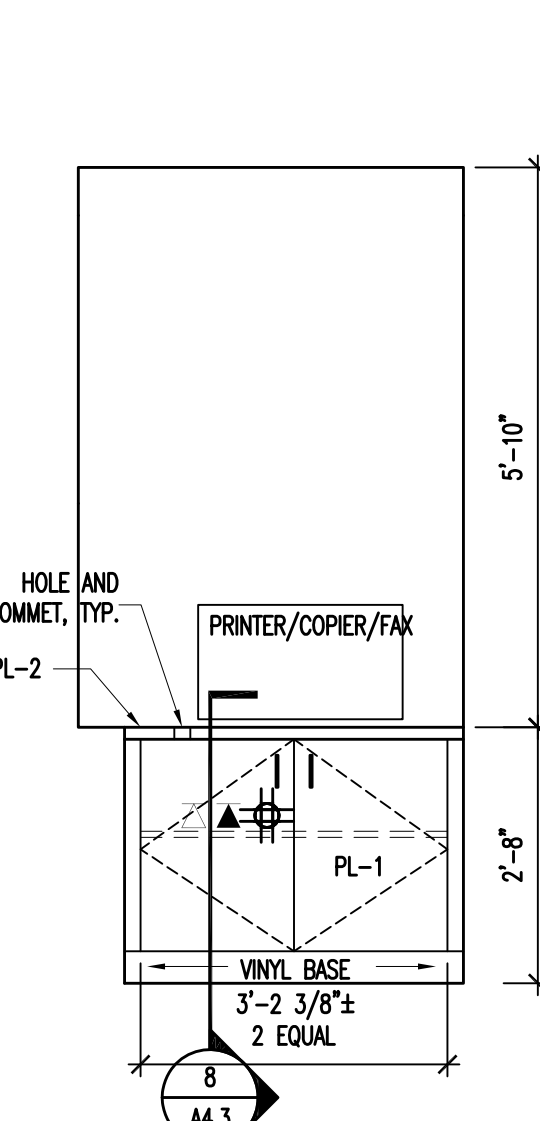
5 Patient Services Counter
SCALE: 1/2"=1'-0"



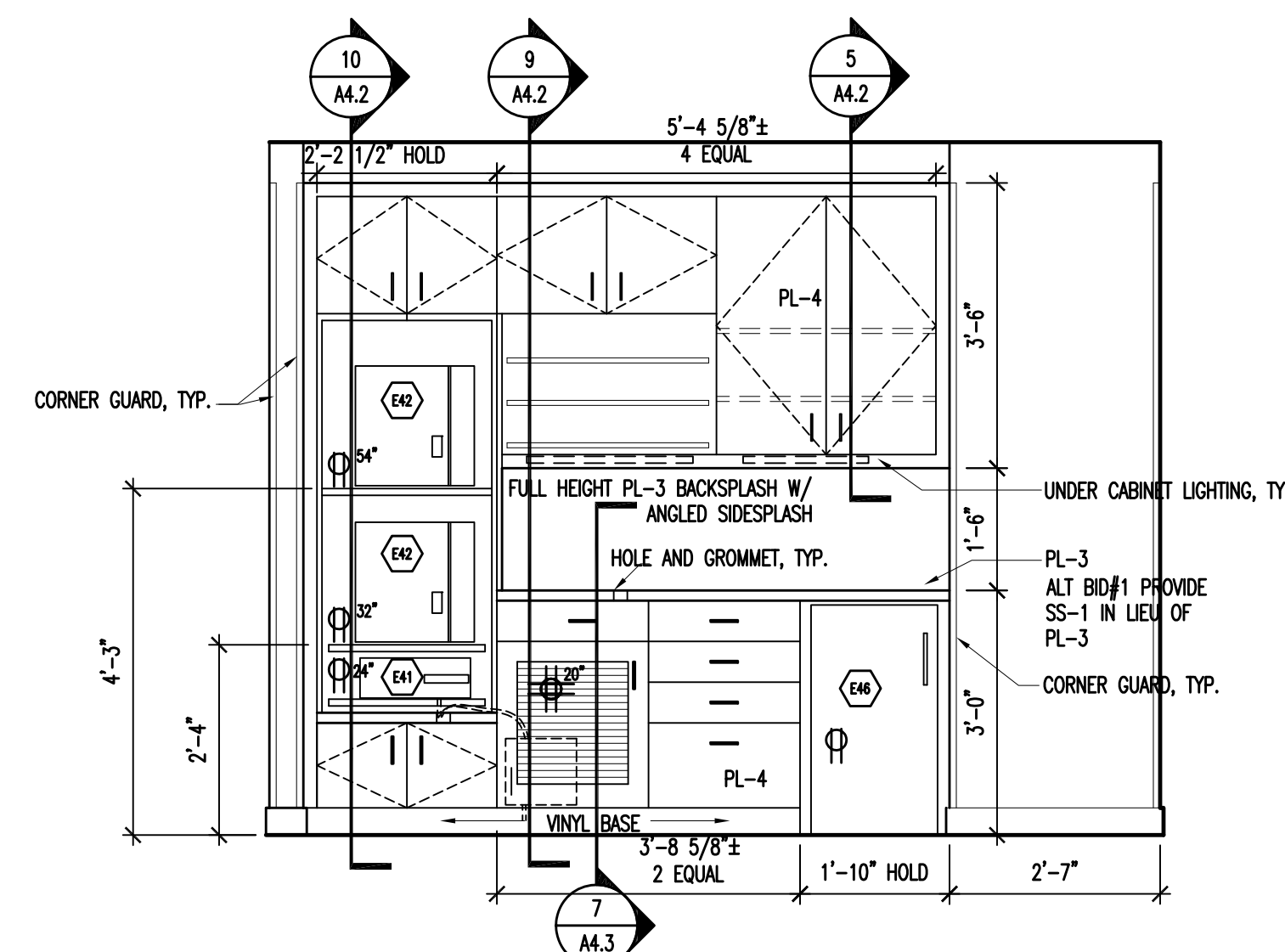
6 Business Area Counter
SCALE: 1/2"=1'-0"



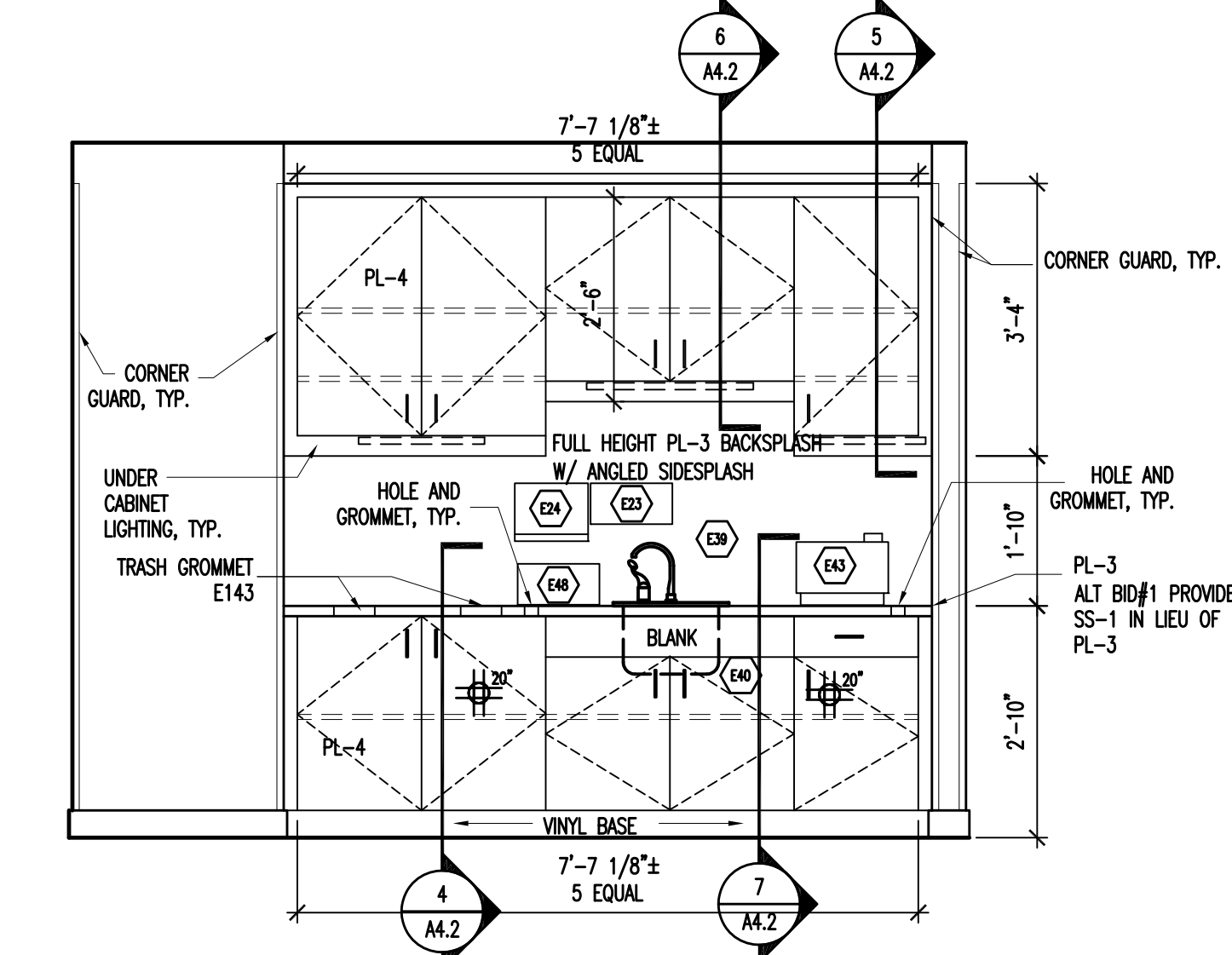
7 Business Area Shelving
SCALE: 1/2"=1'-0"



8 Business Area Shelving
SCALE: 1/2"=1'-0"



9 Sterilization
SCALE: 1/2"=1'-0"



10 Sterilization
SCALE: 1/2"=1'-0"

Drawn by RAF
Checked by TAS
File 1750 A3-1.dwg

Interior Elevations

A3.1