

DAMMON ENGINEERING, INC.

CHIEF ENGINEER
EMMETT DAMMON, P.E.

CHIEF ARCHITECT
ROBERT WILTSE

554 OLD SPANISH TRAIL
SLIDELL, LA. 70458
OFFICE: 985-649-5832
FAX: 985-641-5950

WEBSITE:
WWW.DAMMONENGINEERING.COM

EMAIL:
DAMMONENG@BELLSOUTH.NET

ARCHITECTURE

ENGINEERING

STUDIES

PLANNING

INVESTIGATION

EXPERT WITNESS

RAIN FOREST CARWASH

3017
PONTCHARTRAIN
DRIVE
SLIDELL, LA
70458

SITE UTILITIES PLAN DETAILS

REV:

SCALE: AS NOTED

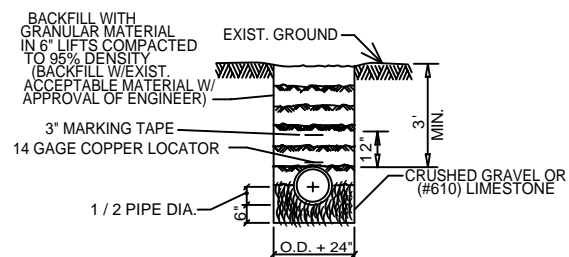
JOB#: 2085

DATE: 03-23-11

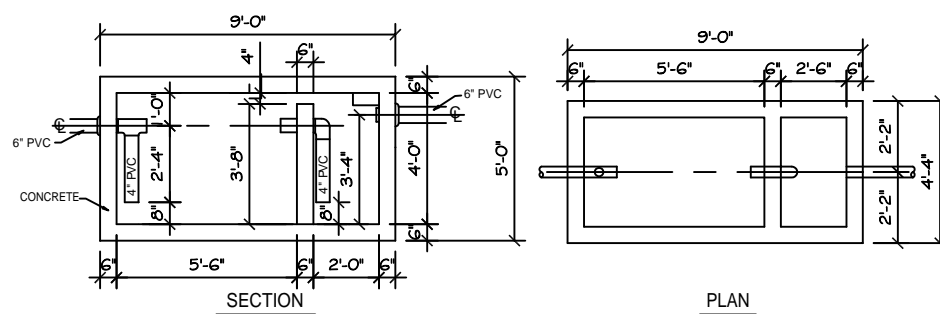
SHEET 9

C-8

OF 25

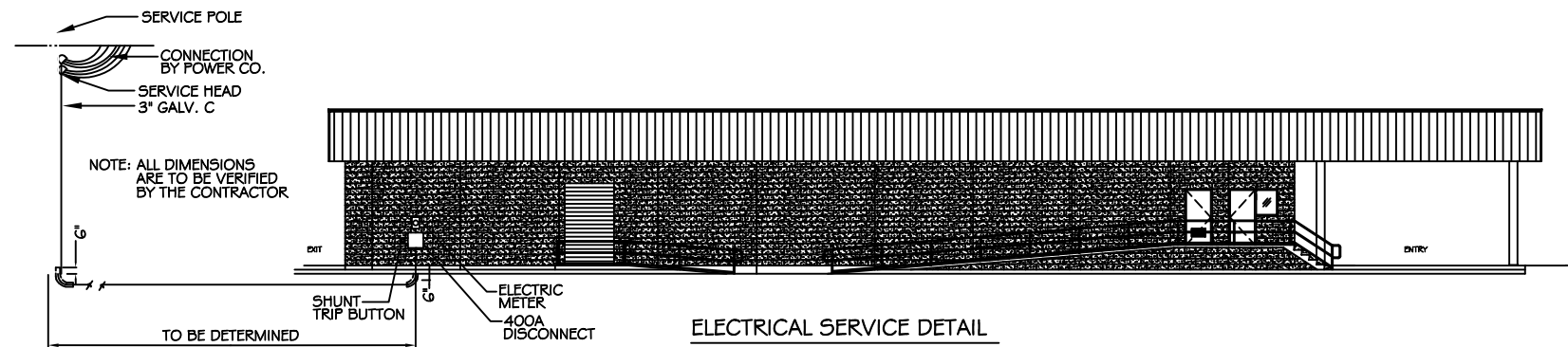


**PIPE BEDDING DETAIL
FOR SEWER & WATER LINE**
N.T.S.

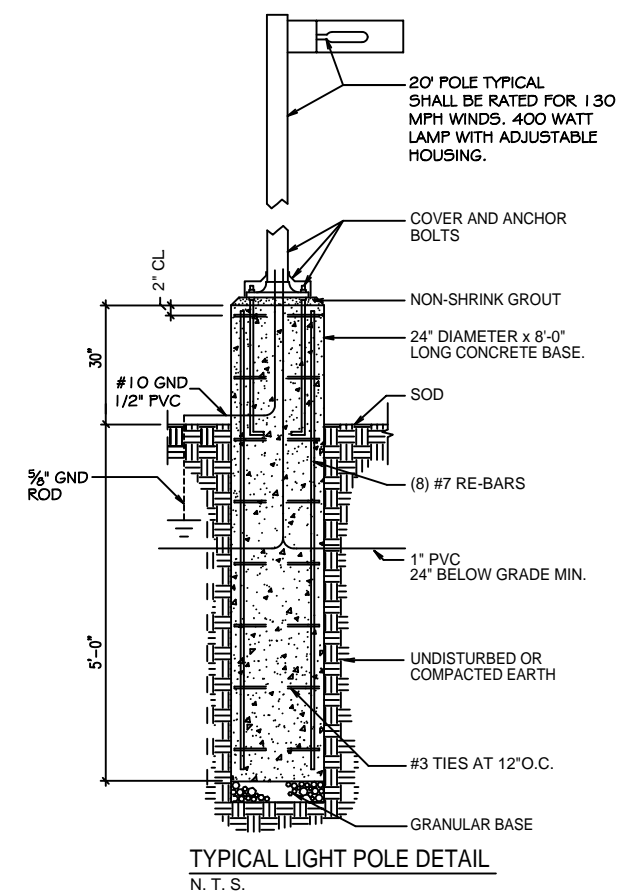


OIL/WATER SEPARATOR
N.T.S.

NOTE:
THE OIL/WATER SEPARATOR MUST HAVE A MINIMUM WATER DEPTH OF THREE (3) FEET AND A MINIMUM WATER VOLUME OF 750 GALS. IN ADDITION, THE TOP OF THE SEPARATOR'S BAFFLE WALL(S) MUST BE AT LEAST TWO INCHES BELOW THE TRAPS WATER LEVEL. WATER MUST BE ABLE TO FREELY FLOW OVER THE ENTIRE WIDTH OF THE BAFFLE WALL.



ELECTRICAL SERVICE DETAIL
N.T.S. 480V 3 PHASE



TYPICAL LIGHT POLE DETAIL
N.T.S.