

**DAMMON ENGINEERING, INC.**

CHIEF ENGINEER  
EMMETT DAMMON, P.E.

CHIEF ARCHITECT  
ROBERT WILTSE

1095 FLORIDA AVENUE  
SLIDELL, LA. 70458  
OFFICE: 985-649-5832  
FAX: 985-641-5950

WEBSITE:  
WWW.DAMMONENGINEERING.COM

EMAIL:  
DAMMONENG@BELLSOUTH.NET

ARCHITECTURE  
ENGINEERING  
STUDIES  
PLANNING  
INVESTIGATION  
EXPERT WITNESS

RAIN FOREST  
CARWASH

3017  
PONTCHARTRAIN  
DRIVE  
SLIDELL, LA  
70458

FLOOR  
PLANS

REV:

SCALE: AS NOTED

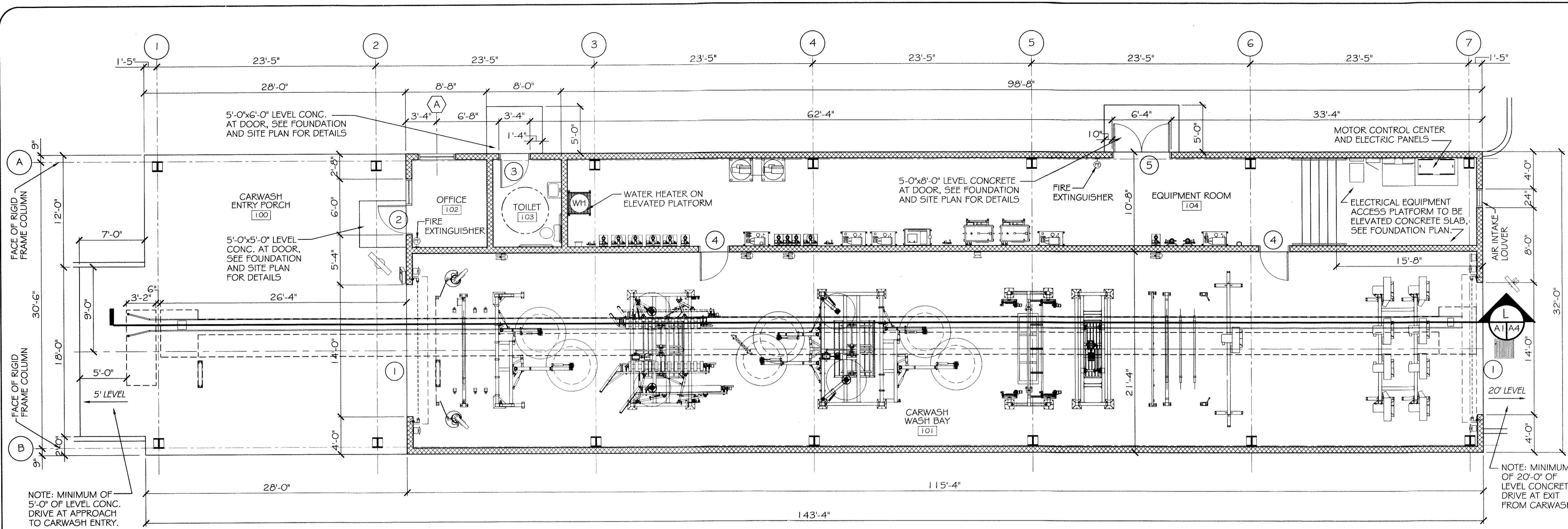
JOB#: 2085

DATE: 01-17-11

SHEET 16

A-1

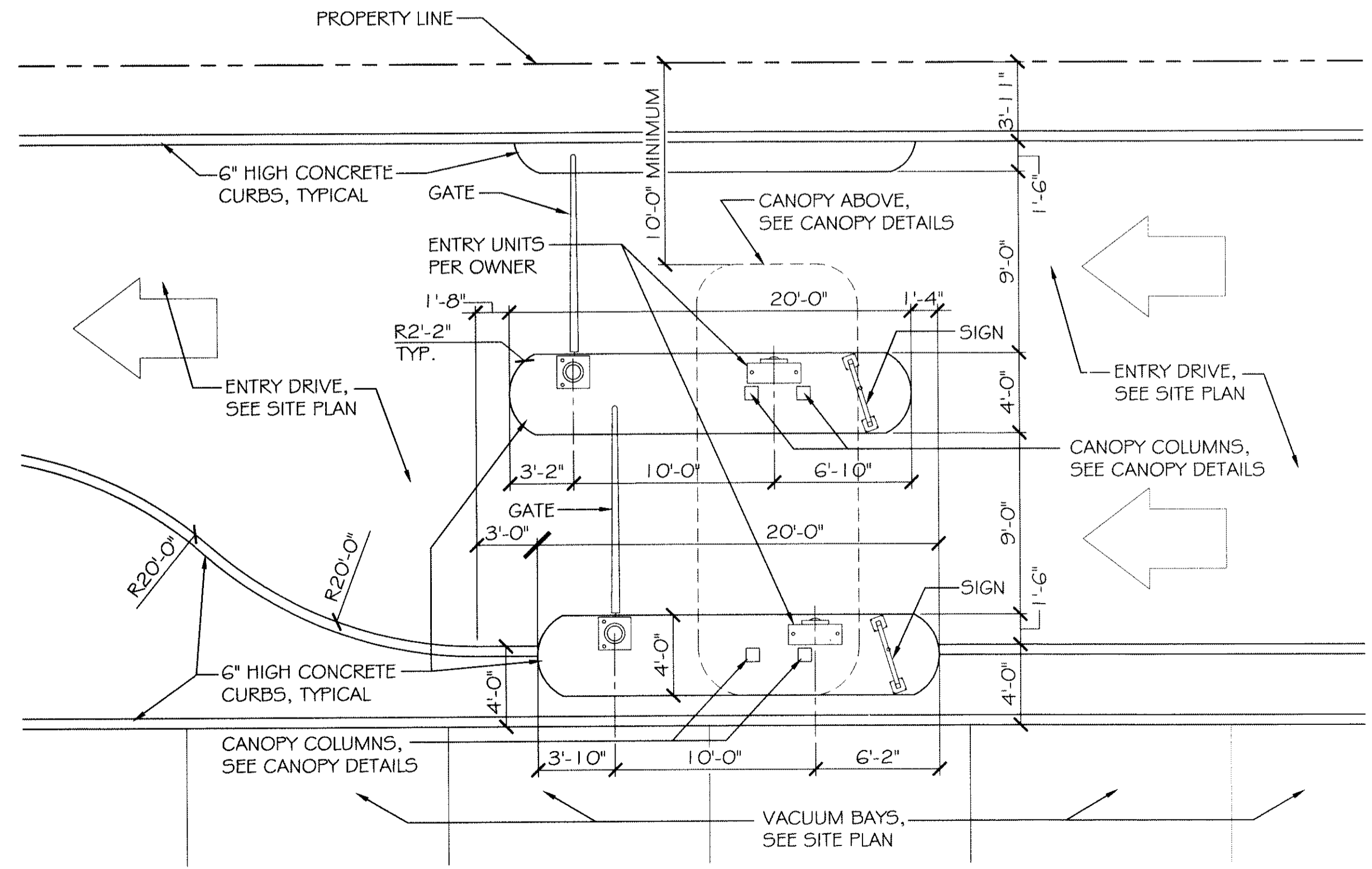
OF 25



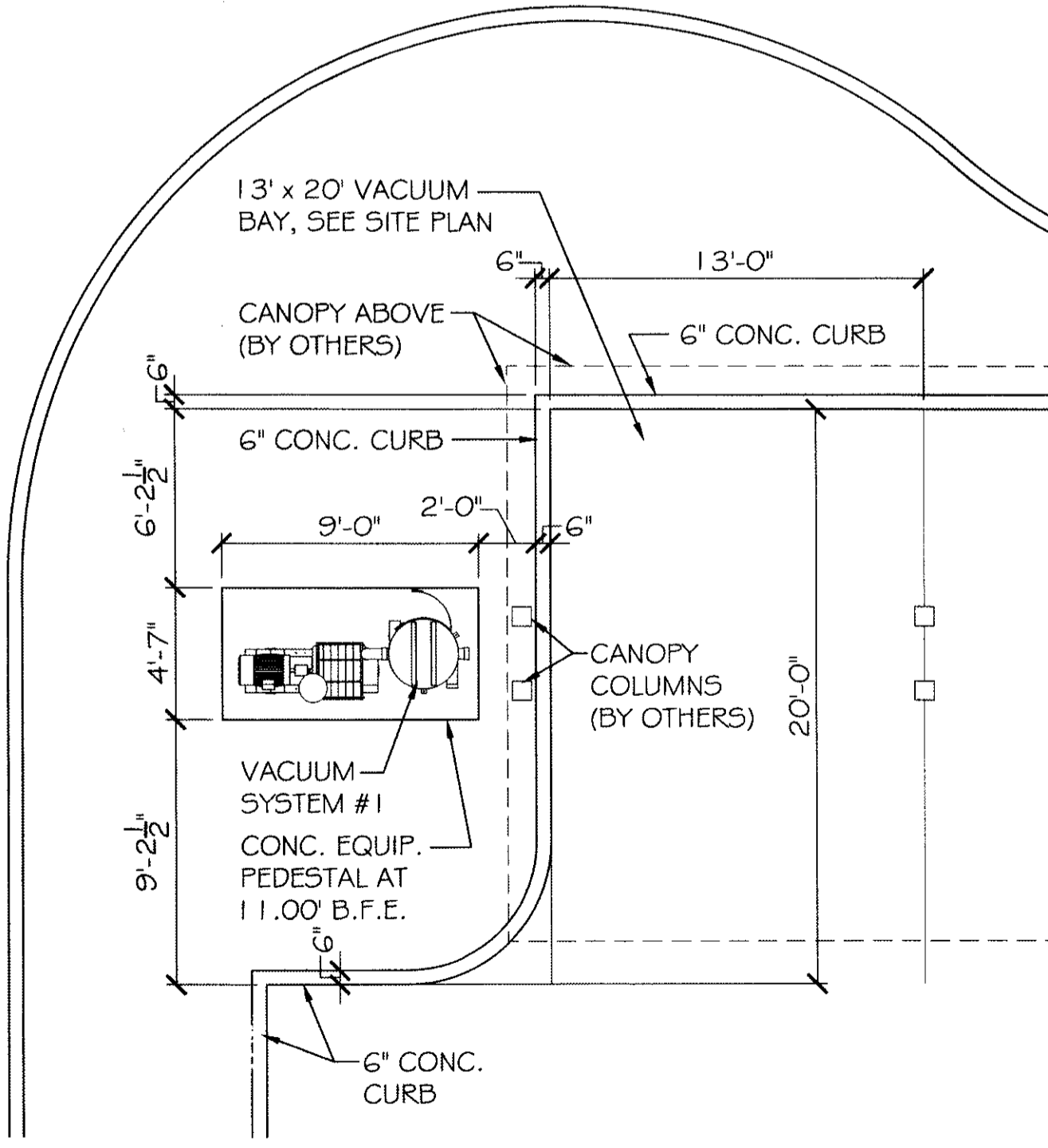
**CARWASH FLOOR PLAN**  
SCALE: 3/16" = 1'-0"

NEW FIRE EXTINGUISHER IN ACCORDANCE W/ NFPA 10

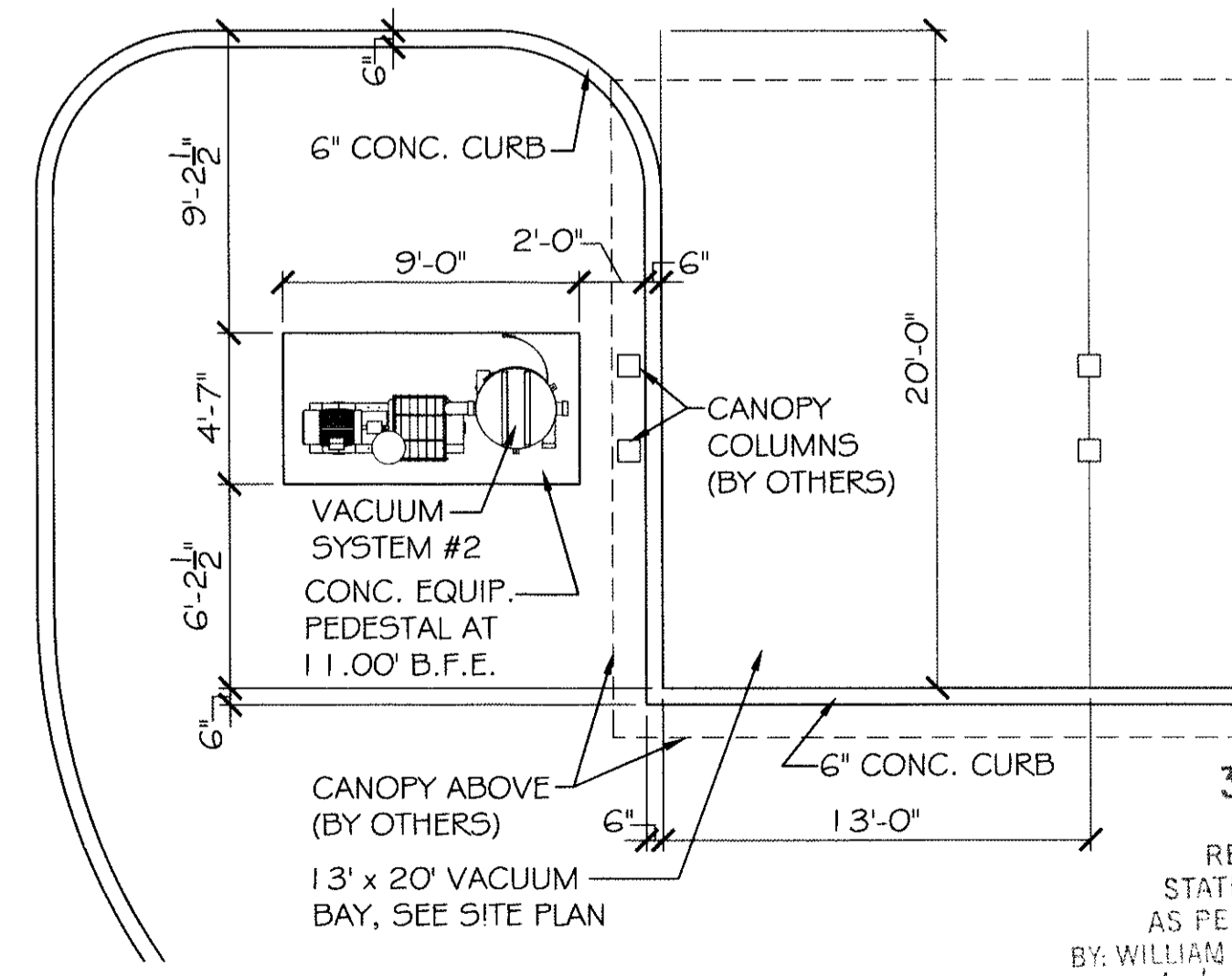
NOTE: SEE EQUIPMENT SUPPLIER'S DRAWINGS FOR EQUIPMENT'S ELECTRICAL, CONDUIT, WIRING, AND PLUMBING REQUIREMENTS PRIOR TO COMMENCING ANY WORK.



**CARWASH ENTRY PLAN**  
SCALE: 3/16" = 1'-0"



**VACUUM SYSTEM #1 PLAN**  
SCALE: 3/16" = 1'-0"



**VACUUM SYSTEM #2 PLAN**  
SCALE: 3/16" = 1'-0"

392868  
REVIEWED FOR STATE FIRE MARSHAL AS PER REVIEW LETTER BY: WILLIAM D. JONES, ARCHITECT.  
William D. Jones