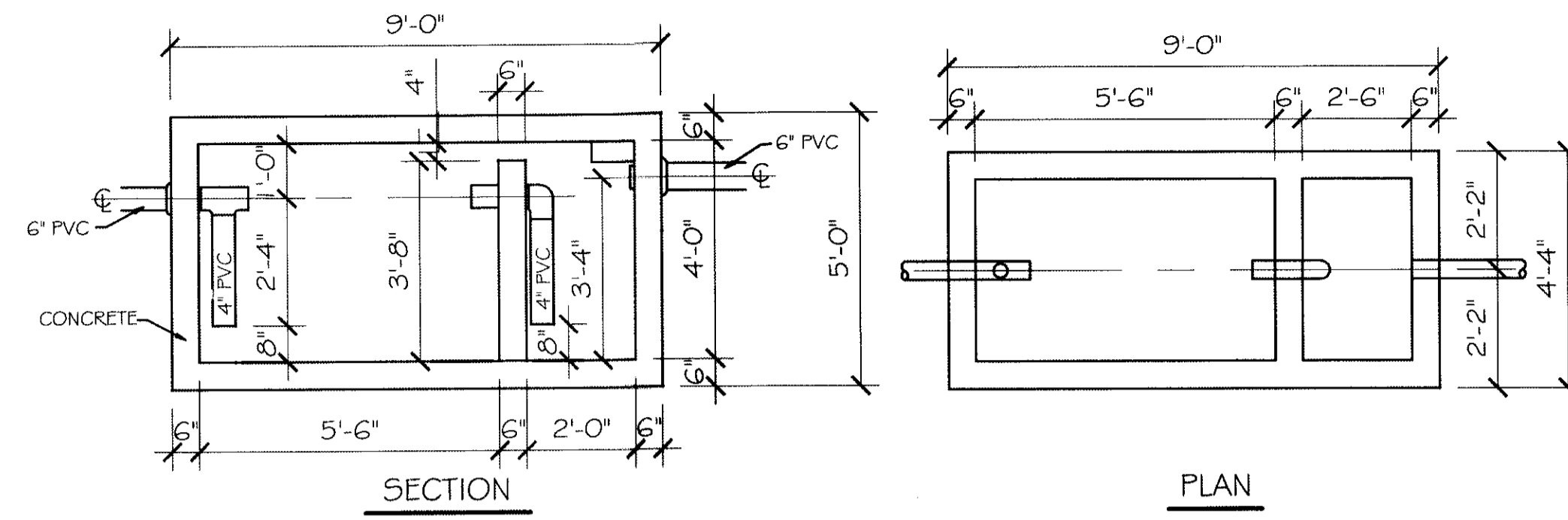


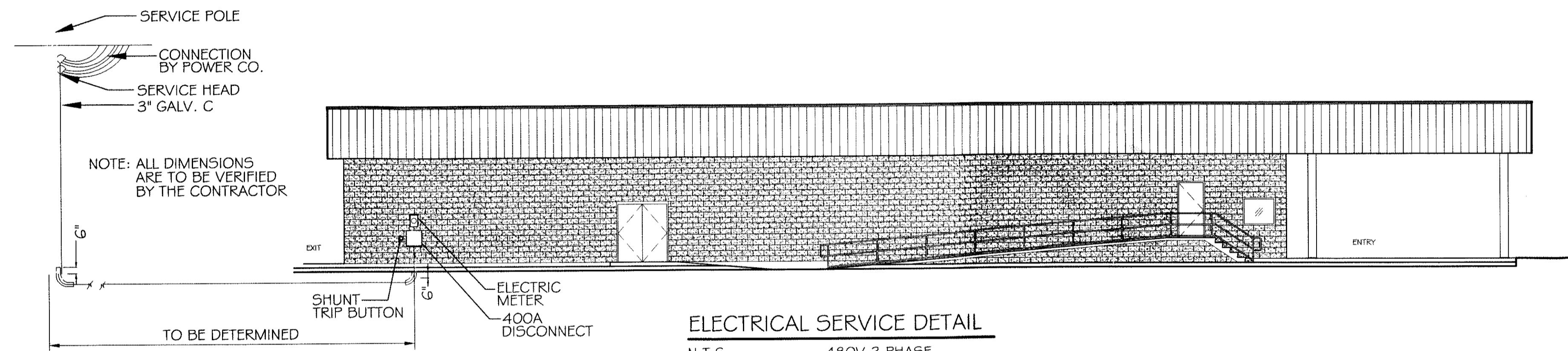
A MIN. 10 FT. HORIZONTAL AND 18" VERTICAL SEPARATION IS REQUIRED BETWEEN WATER & SEWER LINE.

**PIPE BEDDING DETAIL  
FOR SEWER & WATER LINE**  
N.T.S.

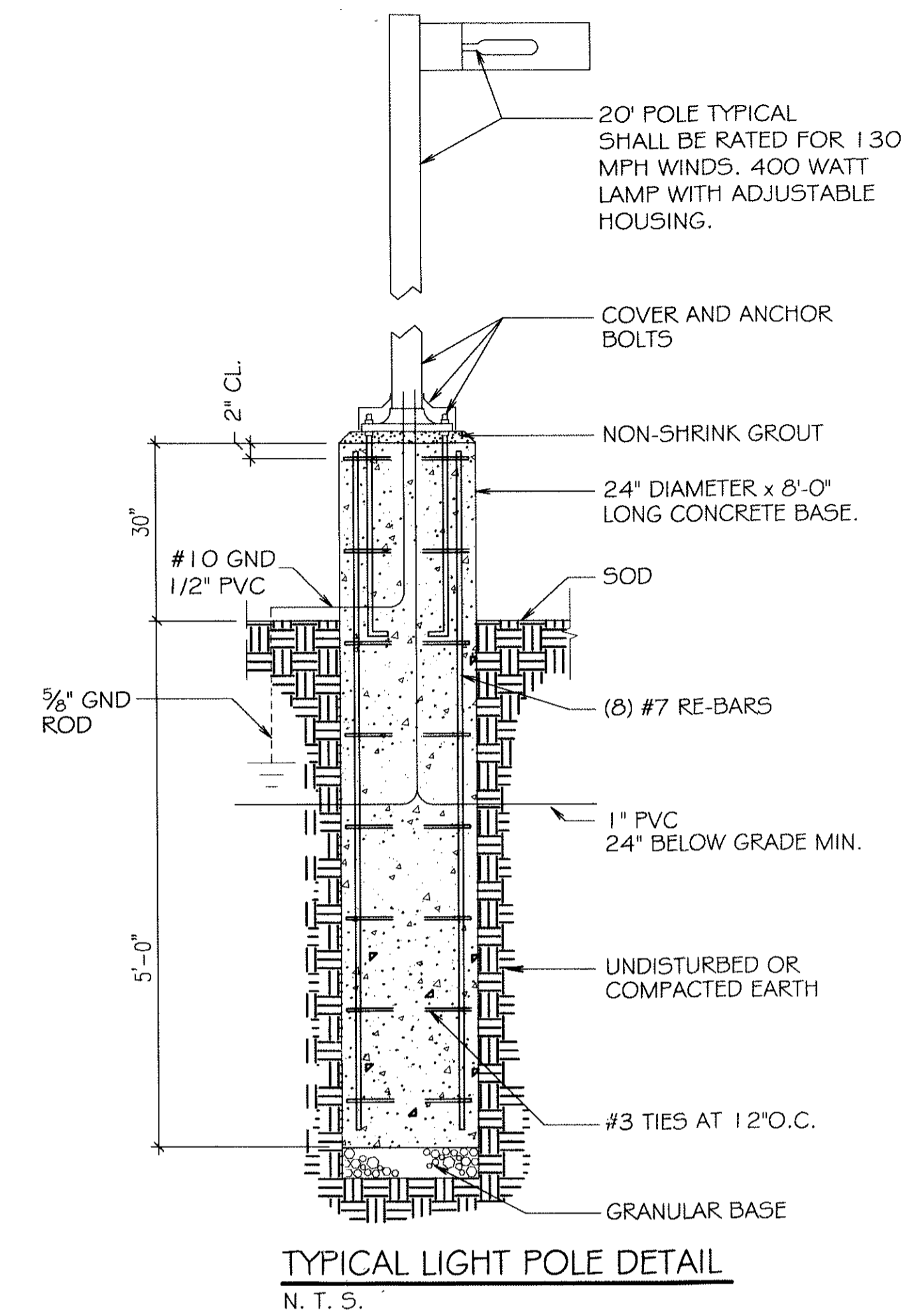


**OILWATER SEPARATOR**  
N.T.S.

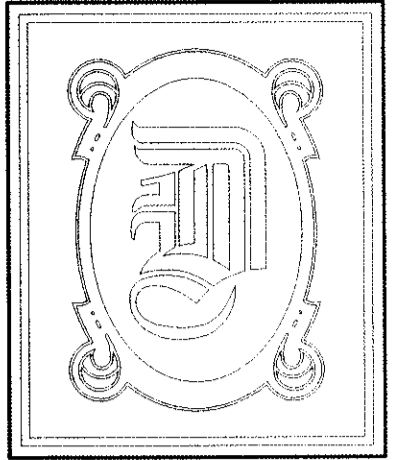
**NOTE:**  
THE OILWATER SEPARATOR MUST HAVE A MINIMUM WATER DEPTH OF THREE (3) FEET AND A MINIMUM WATER VOLUME OF 750 GALS. IN ADDITION, THE TOP OF THE SEPARATORS BAFFLE WALL(S) MUST BE AT LEAST TWO INCHES BELOW THE TRAPS WATER LEVEL. WATER MUST BE ABLE TO FREELY FLOW OVER THE ENTIRE WIDTH OF THE BAFFLE WALL.



**ELECTRICAL SERVICE DETAIL**  
N.T.S. 480V 3 PHASE



**TYPICAL LIGHT POLE DETAIL**  
N. T. S.



**DAMMON  
ENGINEERING, INC.**

CHIEF ENGINEER  
EMMETT  
DAMMON, P.E.

CHIEF ARCHITECT  
ROBERT  
WILTSE

1095 FLORIDA AVENUE  
SLIDELL, LA. 70458  
OFFICE: 985-649-5832  
FAX: 985-641-5950

WEBSITE:  
WWW.DAMMONENGINEERING.COM

EMAIL:  
DAMMONENG@BELLSOUTH.NET

ARCHITECTURE  
ENGINEERING  
STUDIES  
PLANNING  
INVESTIGATION  
EXPERT WITNESS

**RAIN FOREST  
CARWASH**

3017  
PONTCHARTRAIN  
DRIVE  
SLIDELL, LA  
70458

**SITE  
UTILITIES  
PLAN  
DETAILS**

*Robert Wiltse*

392868  
REVIEWED FOR  
STATE FIRE MARSHAL  
AS PER REVIEW LETTER  
BY: WILLIAM D. JONES, ARCHITECT, CBO  
*William D. Jones*

REV:

SCALE: AS NOTED

JOB#: 2085

DATE: 01-17-11

SHEET 9

**C-8**

OF 25