

DAMMON
ENGINEERING, INC.

CHIEF ENGINEER
EMMETT
DAMMON, P.E.

CHIEF ARCHITECT
ROBERT
WILTSE

1095 FLORIDA AVENUE
SLIDELL, LA. 70458
OFFICE: 985-649-5832
FAX: 985-641-5950

WEBSITE:
WWW.DAMMONENGINEERING.COM

EMAIL:
DAMMONENG@BELLSOUTH.NET

ARCHITECTURE

ENGINEERING

STUDIES

PLANNING

INVESTIGATION

EXPERT WITNESS

RAIN FOREST
CARWASH

3017
PONTCHARTRAIN
DRIVE
SLIDELL, LA
70458

MASONRY
PLAN

REV:

SCALE: AS NOTED

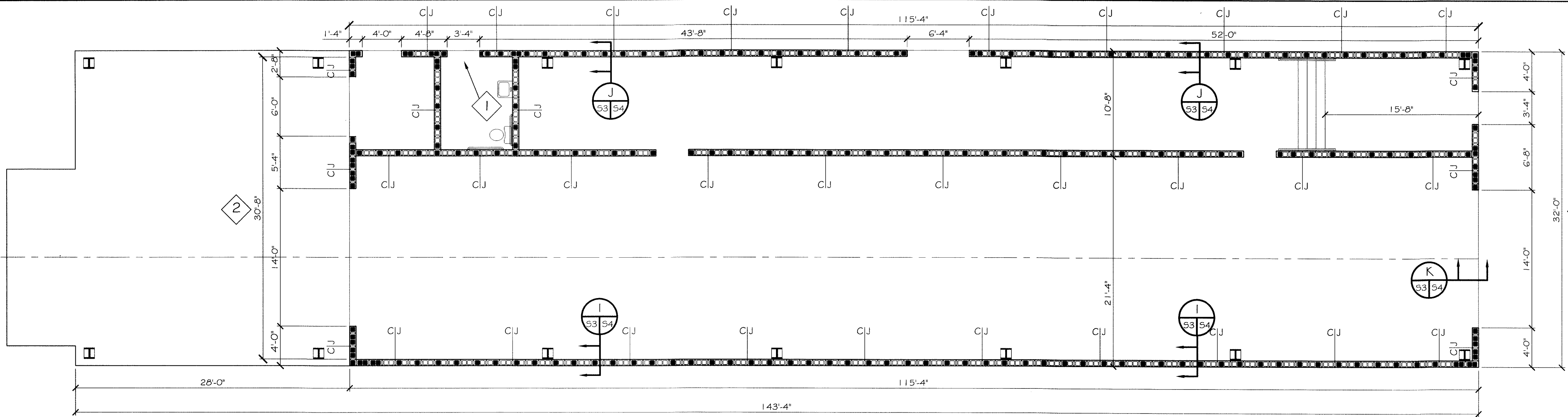
JOB#: 2085

DATE: 01-17-11

SHEET 14

S-3

OF 25



MASONRY NOTES

1. OPENING FOR ELEVATED TOILET ROOM DOOR. BOTTOM OF OPENING @ ELEVATION 11.0' BFE.
2. TOP OF MASONRY 14'-8" FOR THIS WALL ONLY. METAL STUD WALL SYSTEM ABOVE TO ROOF. SEE SHEET A-4 FOR DETAILS. LINTEL SIMILAR TO 24" CONCRETE LINTEL SHOWN ON EAST ENDWALL DETAIL.
3. TOP OF MASONRY 13'-4" FOR THIS WALL ONLY. METAL STUD WALL SYSTEM ABOVE TO ROOF. SEE SHEET A-4 FOR DETAILS.

MASONRY PLAN

SCALE: 3/16"=1'-0"

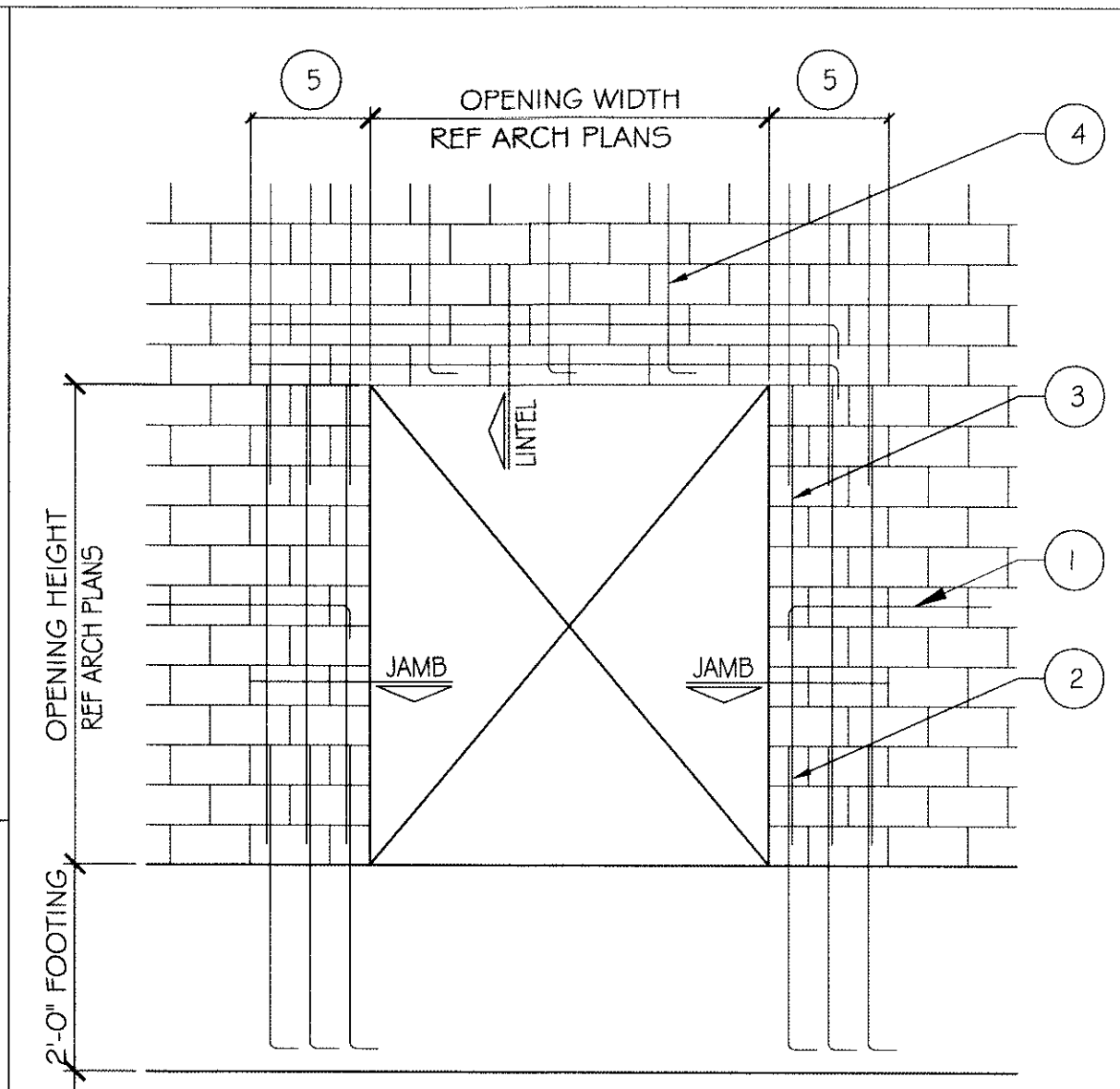
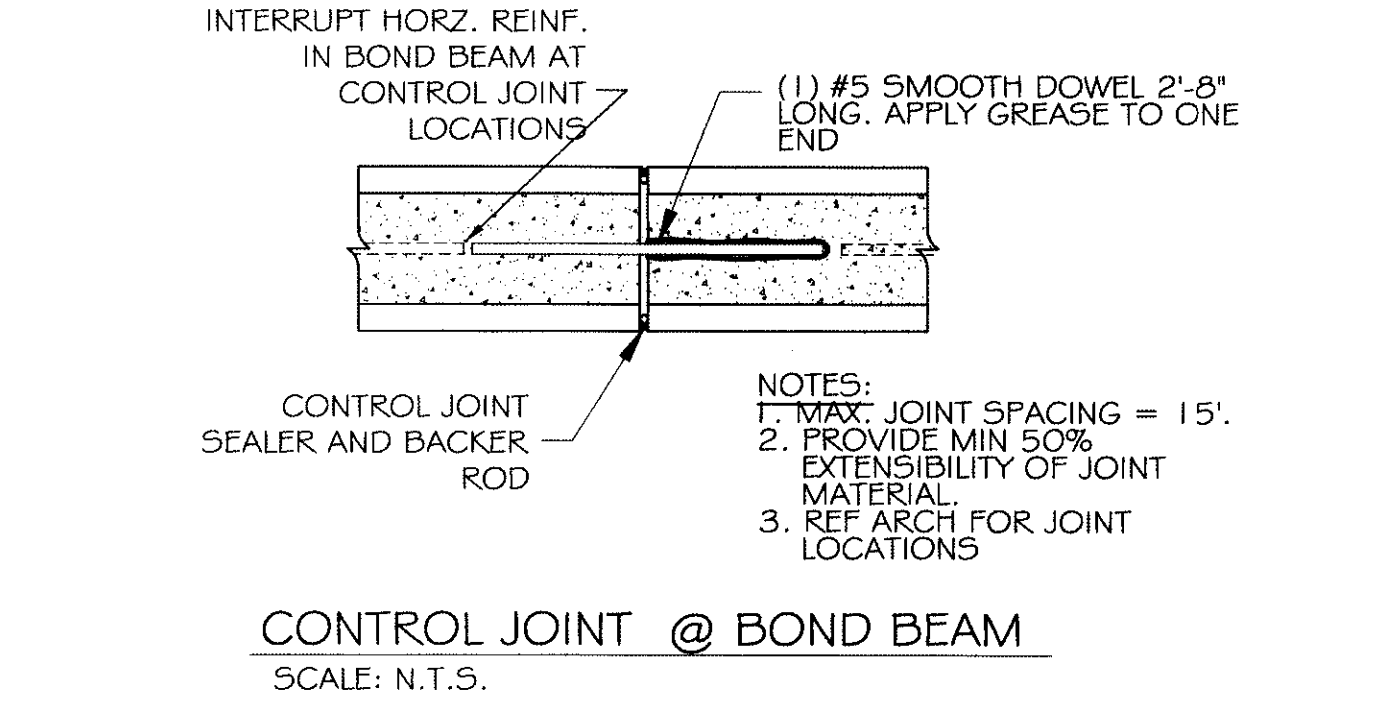
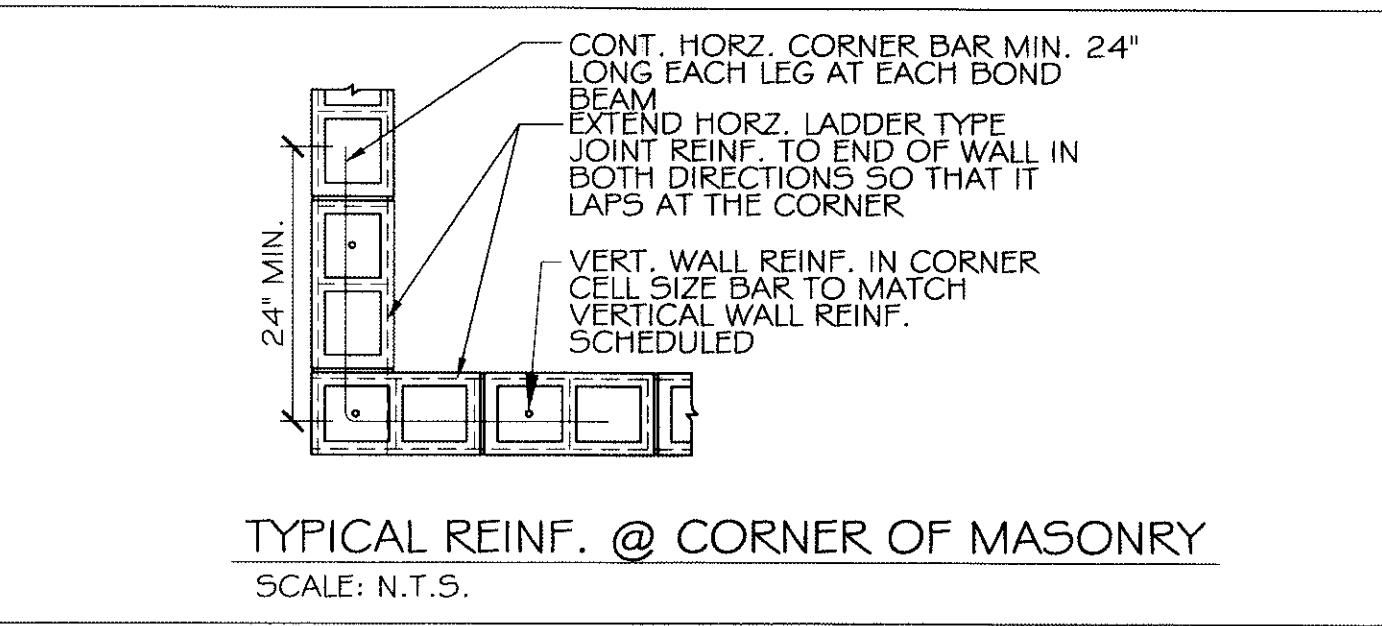
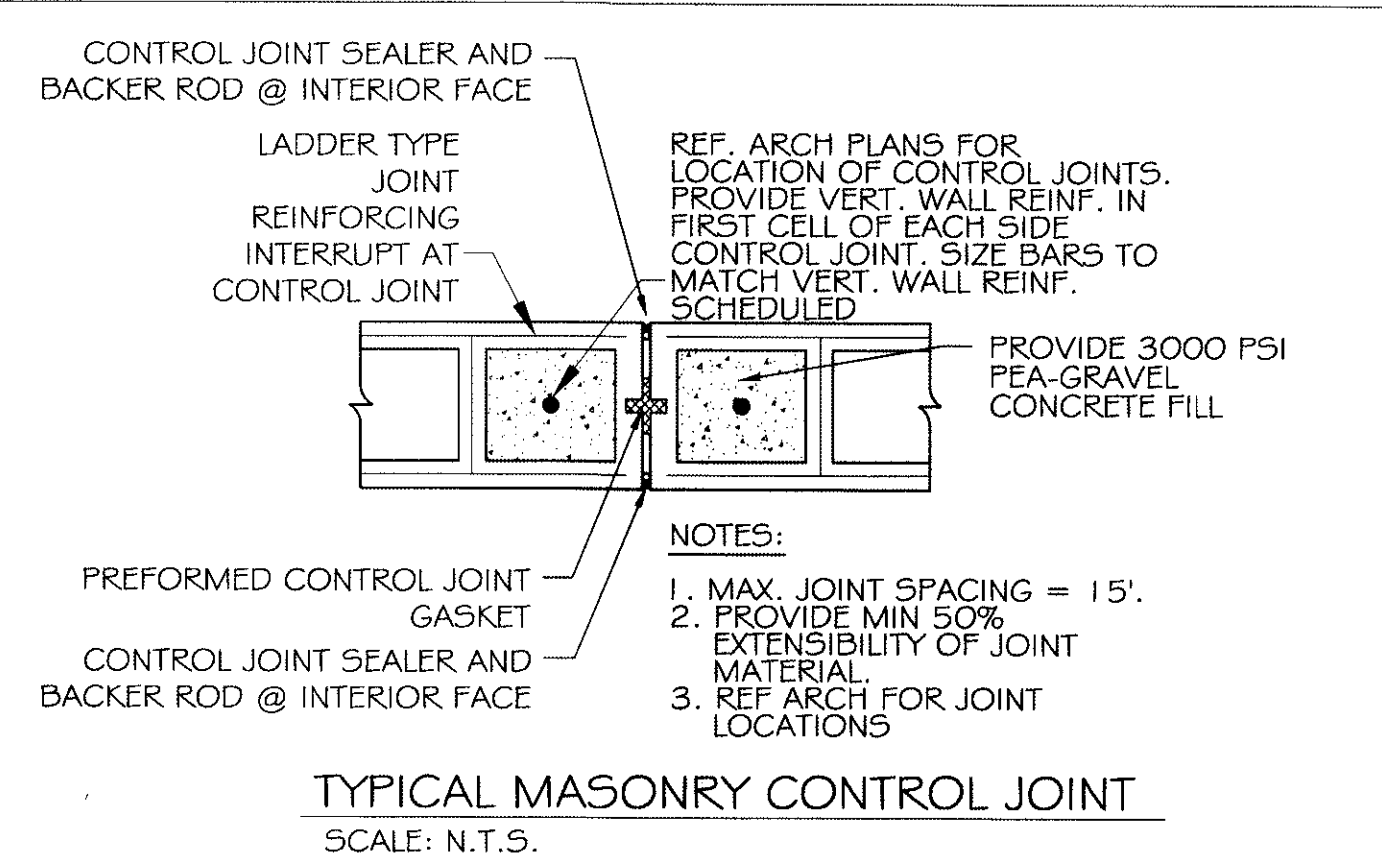
LEGEND

- INDICATES CONTINUOUS NO. 5 VERTICAL REINF. W/ 3000 PSI CONCRETE FILL.
- CJ INDICATES MASONRY CONTROL JOINT. SEE DETAIL THIS SHEET

CMU LINTEL SCHEDULE

WIDTH (W)	CLEAR SPAN	DEPTH (D)	HORZ. REINF.
8" TYP AT ALL CMU WALLS	UP TO 3'-4"	8"	(1) #6 BOTTOM
	UP TO 6'-4"	16"	(1) #6 T&B
	UP TO 14'-0"	24"	(2) #6 T&B

PROVIDE 3000 PSI PEA-GRAVEL CONCRETE FILL FOR ALL LINTELS.



8" AT OPENING UP TO 3'-4"
16" AT OPENING UP TO 6'-8"
24" AT OPENING UP TO 10'-0"

CMU U-BLOCK BOND BEAM WITH HORZ. REINF. PER LINTEL SCH. 392868

NOTES: #

1. WHERE HORIZ. REINFORCEMENT IS INTERRUPTED BY OPENING OR CONTROL JOINT PROVIDE STANDARD ACI HOOK WITH VERT. WALL REINF. AT END CELL.
2. SPLICES IN VERT. REINF. REF. WALL SECTIONS 5-3.
3. ALL VERT. BARS AT DOOR JAMBS TO BE FULL HEIGHT.
4. CONTINUE VERT. WALL REINF. OVER OPENING. ANCHOR VERT. REINF. INTO LINTEL BEAM WITH STANDARD ACI HOOK.
5. EXTEND LINTEL A MIN. 2'-0" BEYOND FACE OF OPENING EACH SIDE FOR STRAIGHT LINTEL REINF. AND 1'-0" FOR LINTEL REINF. WITH STANDARD ACI HOOK.

REVIEWED FOR STATE FIRE MARSHAL AS PER REVIEW LETTER BY: WILLIAM D. JONES, ARCHITECT, CBD