



Smart VENT

877- 441- 8368

www.smartvent.com

DETAIL DIAGRAM MODEL 1540-520 FLOOD VENT INSULATED

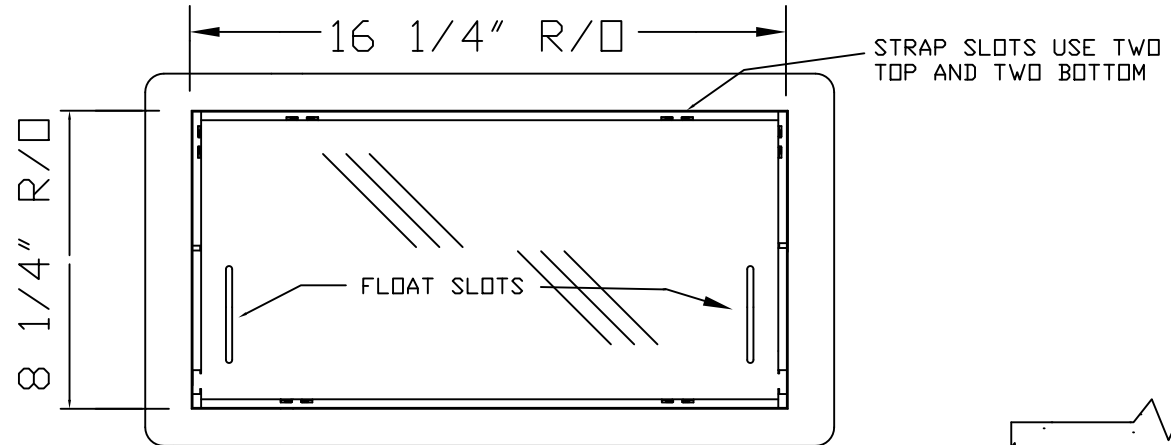


FIGURE 1
Front View

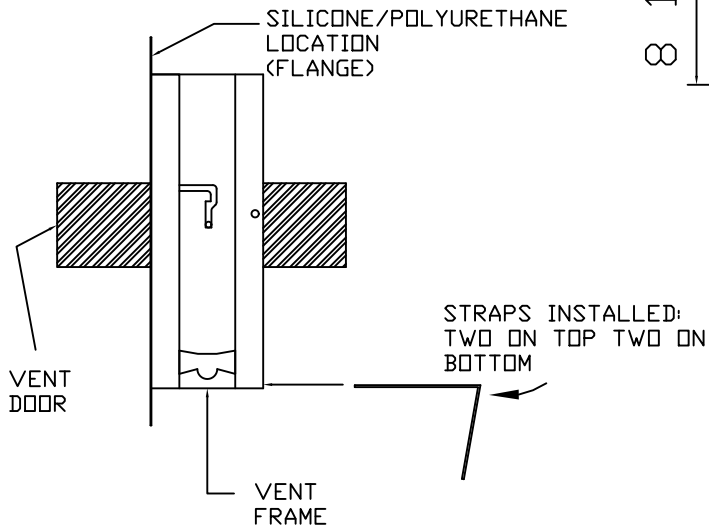


FIGURE 2
Side View

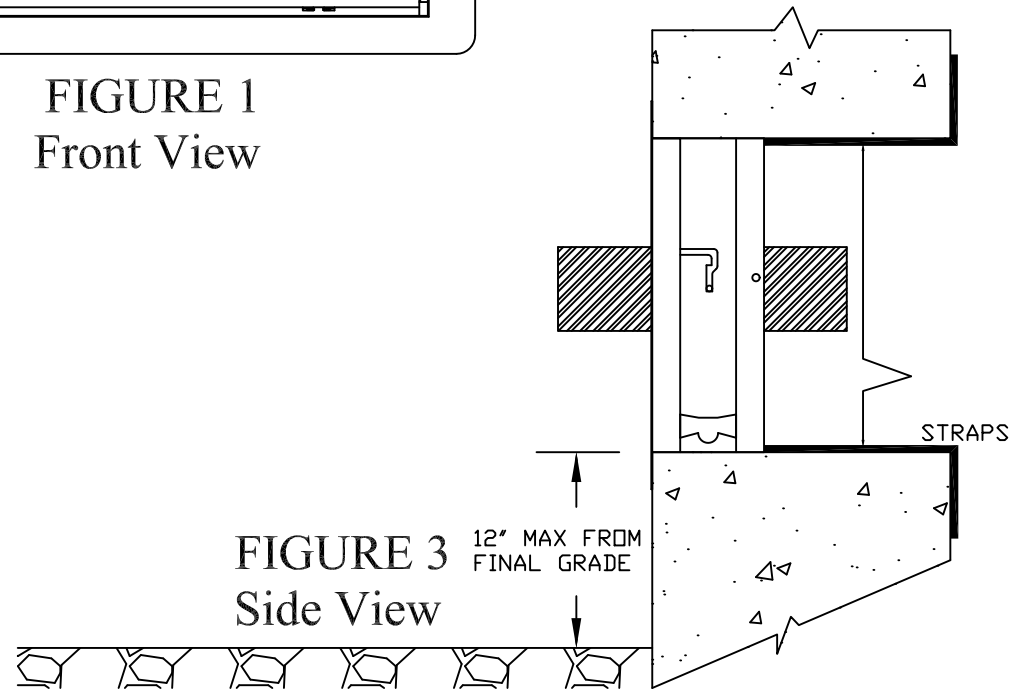
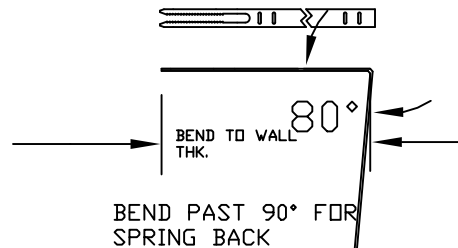


FIGURE 3
Side View

STRAP DETAIL.

TEETH MUST CLICK IN TIGHT TO INSURE SECURE INSTALLATION.



TOLERANCES UNLESS OTHERWISE SPECIFIED
 XX +/-0.06
 X.XX +/-0.03
 X.XXX +/-0.005


SMART VENT®
 877-441-8368
 WWW.SMARTVENT.COM

SMART VENT Foundation Flood Vents
 450 AndBro Dr. Suite 2B
 Pitman NJ 08071

FLOOD VENT INSULATED
MODEL 1540-520

THE INFORMATION CONTAINED IN THIS DRAWING IS THE SOLE PROPERTY OF SMART VENT, INC. IF USED IN PROJECT, CHANGES TO DRAWING ARE PROHIBITED WITHOUT THE WRITTEN PERMISSION OF SMART VENT INC.

SIZE A	DWG NO. 1540-520	REV B
DATE. 5-15-09	SHEET 1 OF 2	



Smart VENT

877- 441- 8368

www.smartvent.com

INSTALLATION INSTRUCTIONS & DETAILS MODEL 1540-520 FLOODVENT INSULATED

INSTALLATION INSTRUCTIONS

REV. 5-15-09

1. Remove vent door from vent frame. (Turn upside down, rotate bottom of door outward and slide out)
2. Prepare a CLEAN 16.25" wide by 8.25" high rough opening (approx. 1 block wide X 1 block high) for each vent. Ensure the bottom of the rough opening is no more than 12" above the finished grade.
3. Apply a bead of silicone or polyurethane caulk around the back of the flange on the vent frame. (FIG. 2)
4. Bend the 4 steel straps to the thickness of the wall measuring from the end with the teeth (see STRAP DETAIL)
5. Insert the top straps into the top two strap slots about two clicks.
6. Insert the vent frame in the cut opening. The bent strap ends go in then up behind the inside of the wall.
Push the frame tight against the face of the wall. Ensure the frame is flush and square in the opening. (FIG. 3)
7. Reach through the vent opening and click the two straps in while holding the front of the vent against the wall face. The sharp point of the straps should not extend past the front of the vent face. Install the two remaining bottom straps and click into place.
8. Re-check that frame is square and slots are clear of debris, and caulk.
9. Install the door into frame by grasping the bottom of door (with float pins down) and front (weld marks back). Slide door into frame and rotate until it is latched.
10. To open the door insert two credit cards into the float slots as shown in the diagram. This will unlatch the door for removal and cleaning.

DETAIL SPECIFICATIONS:

MATERIAL: STAINLESS STEEL

OPERATION: AUTOMATIC NON-POWERED ACTIVATION AND OPERATION

INSTALLATION:

SECURED W/ 4 STAINLESS STEEL STRAPS SUPPLIED

HYDROSTATIC RELIEF: 200 Sq. Ft per Vent

REQUIREMENTS: MINIMUM OF 2 VENTS PER ENCLOSED AREA MOUNTED ON AT LEAST TWO DIFFERENT WALLS

COLORS: STAINLESS (STANDARD)

EXTERIOR POWDER COATED WHITE, WHEAT, GRAY, AND BLACK (AVAILABLE)

MEETS THE REQUIREMENTS FOR ENGINEERED OPENINGS AS SET FORTH BY:
FEMA, NFIP, ICC, & ASCE
SUPPORTIVE DOCUMENTS, TB 1-08, 44CFR 60.3(C)(5), ASCE 24-05
ICC EVALUATION # ESR-2074