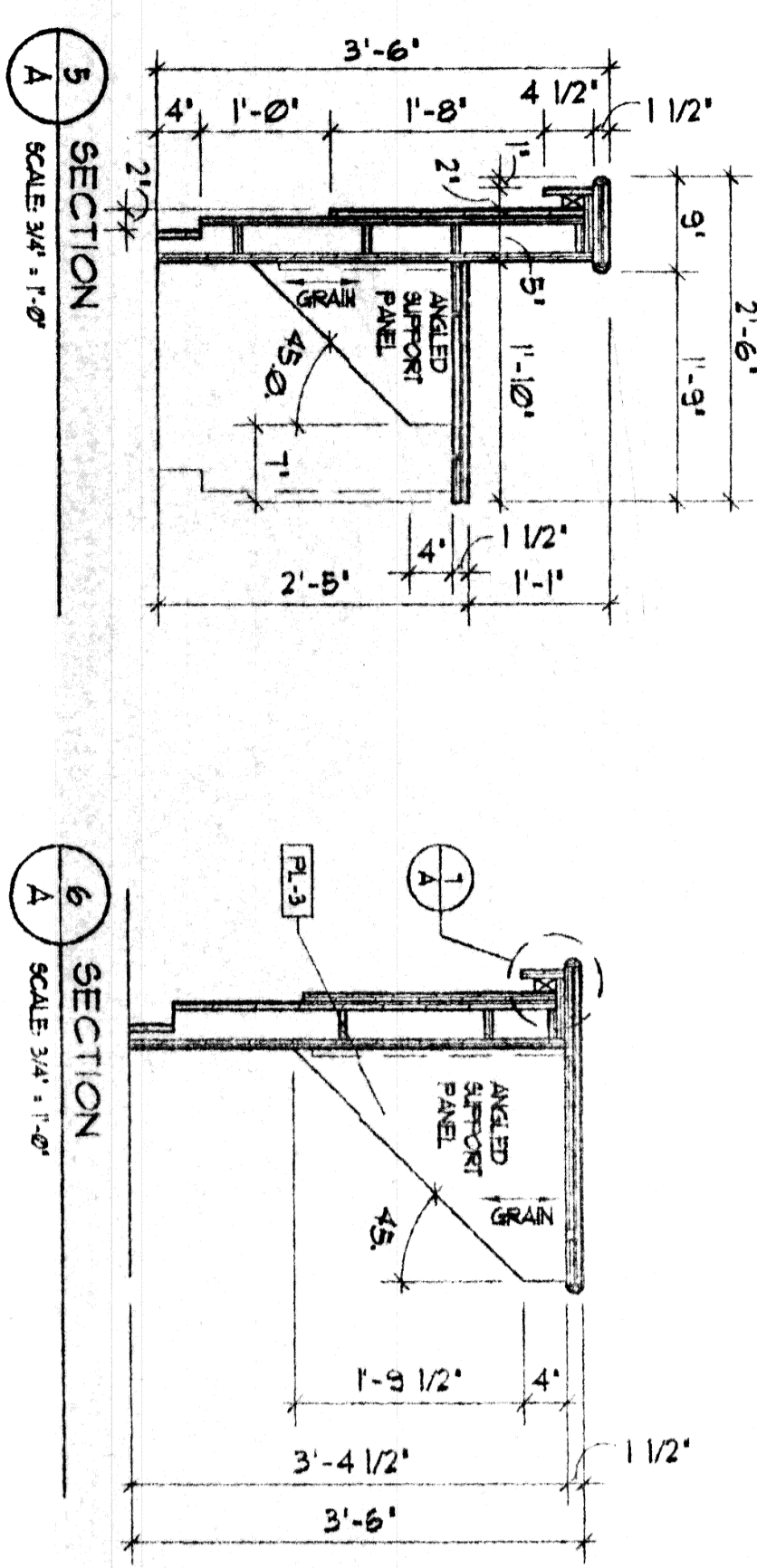
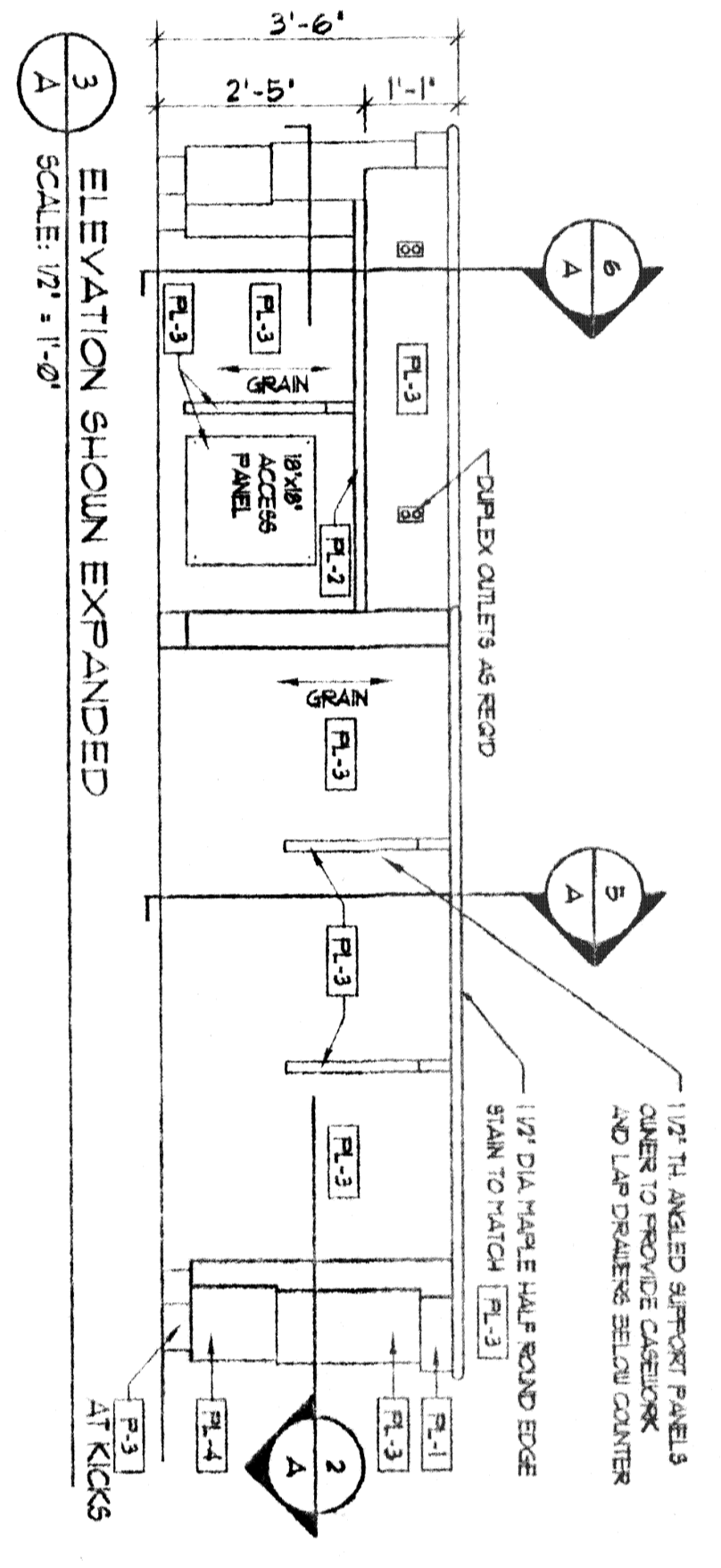


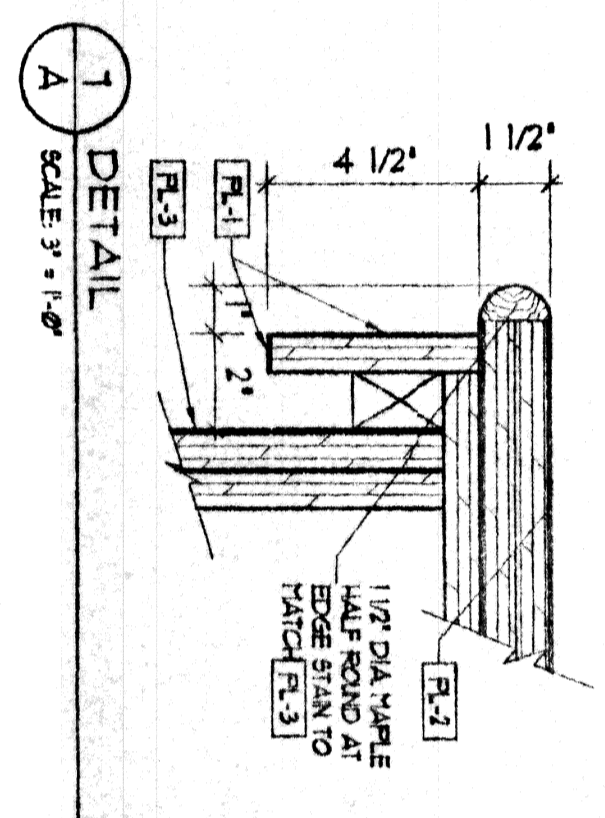
4 ELEVATION
SCALE: 1/2" = 1'-0"



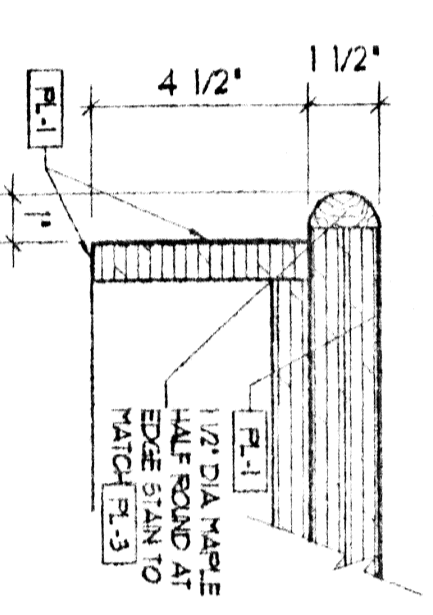
5 SECTION
SCALE: 3/4" = 1'-0"



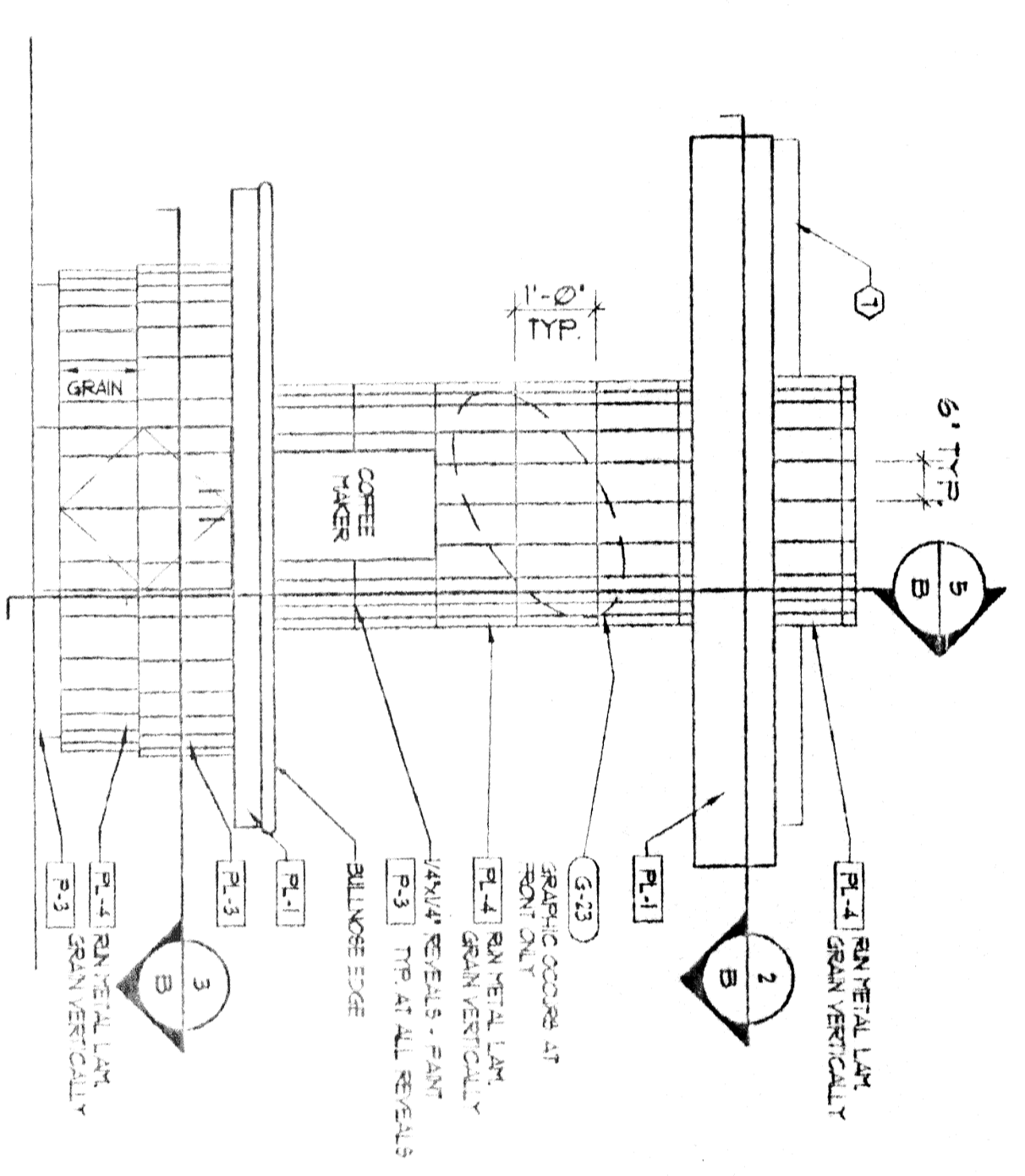
3 ELEVATION SHOWN EXPANDED
SCALE: 1/2" = 1'-0"



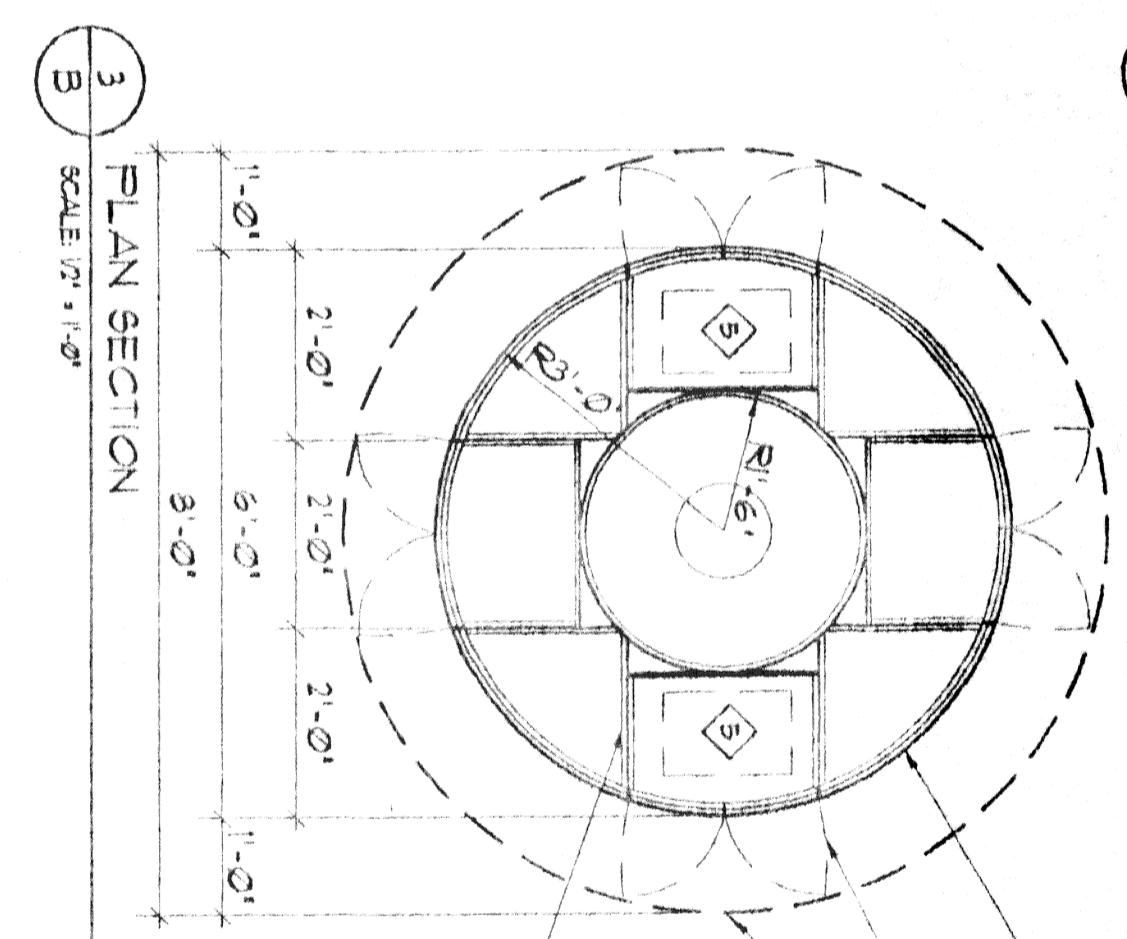
1 DETAIL
SCALE: 3" = 1'-0"



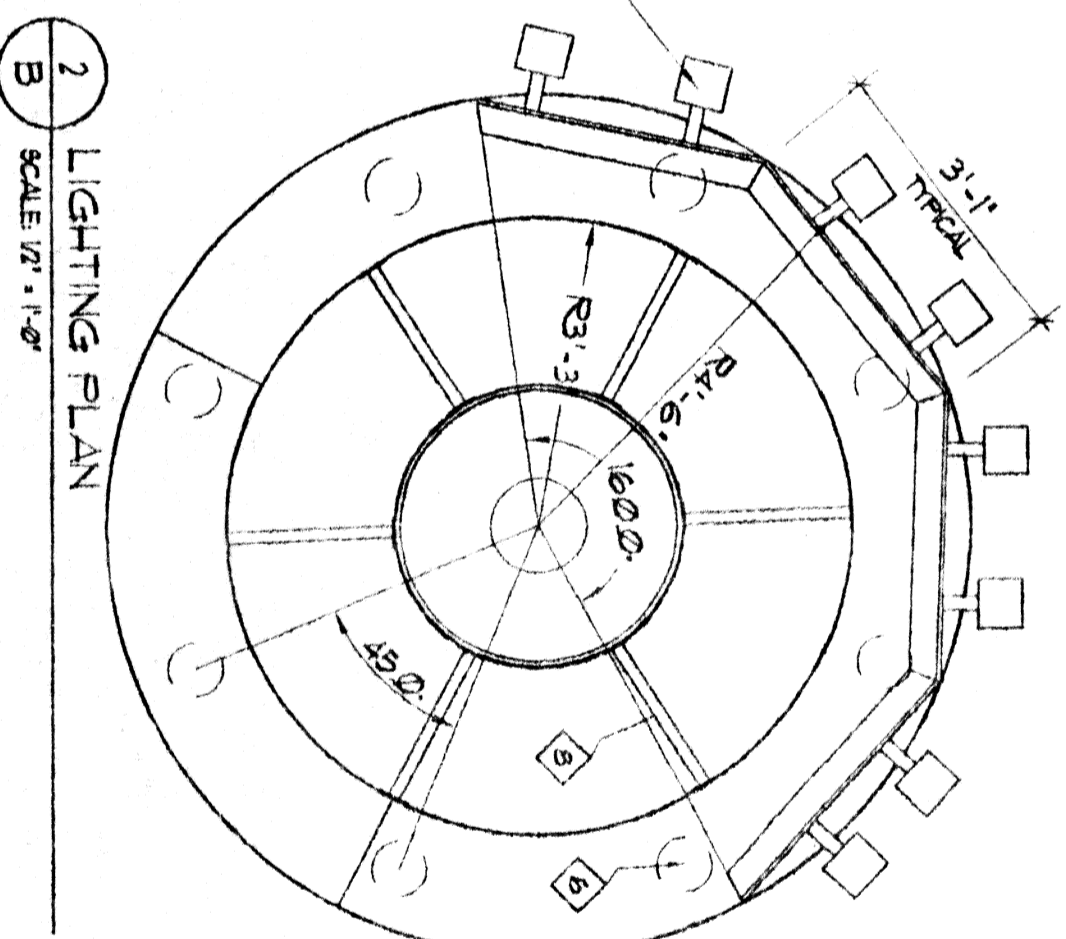
6 DETAIL
SCALE: 3" = 1'-0"



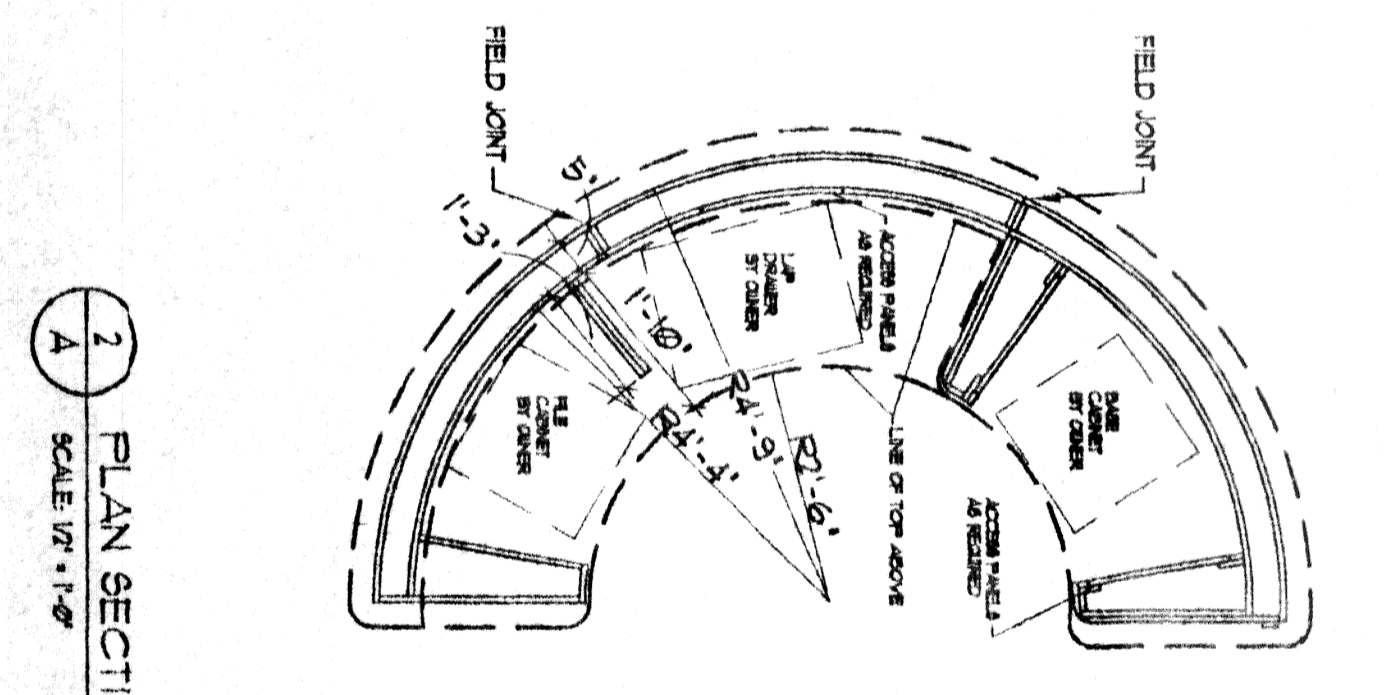
4 ELEVATION
SCALE: 1/2" = 1'-0"



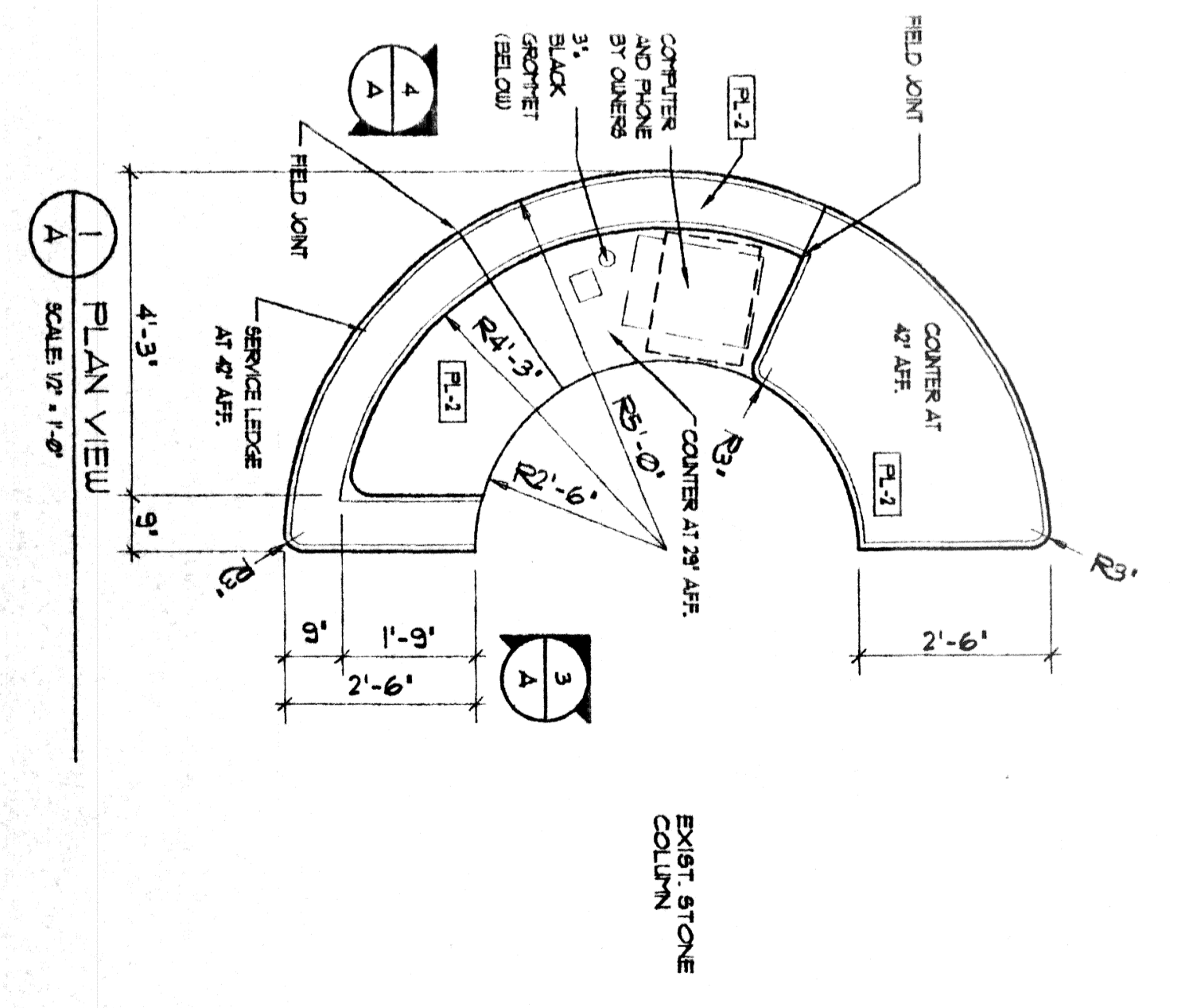
3 PLAN SECTION
SCALE: 1/2" = 1'-0"



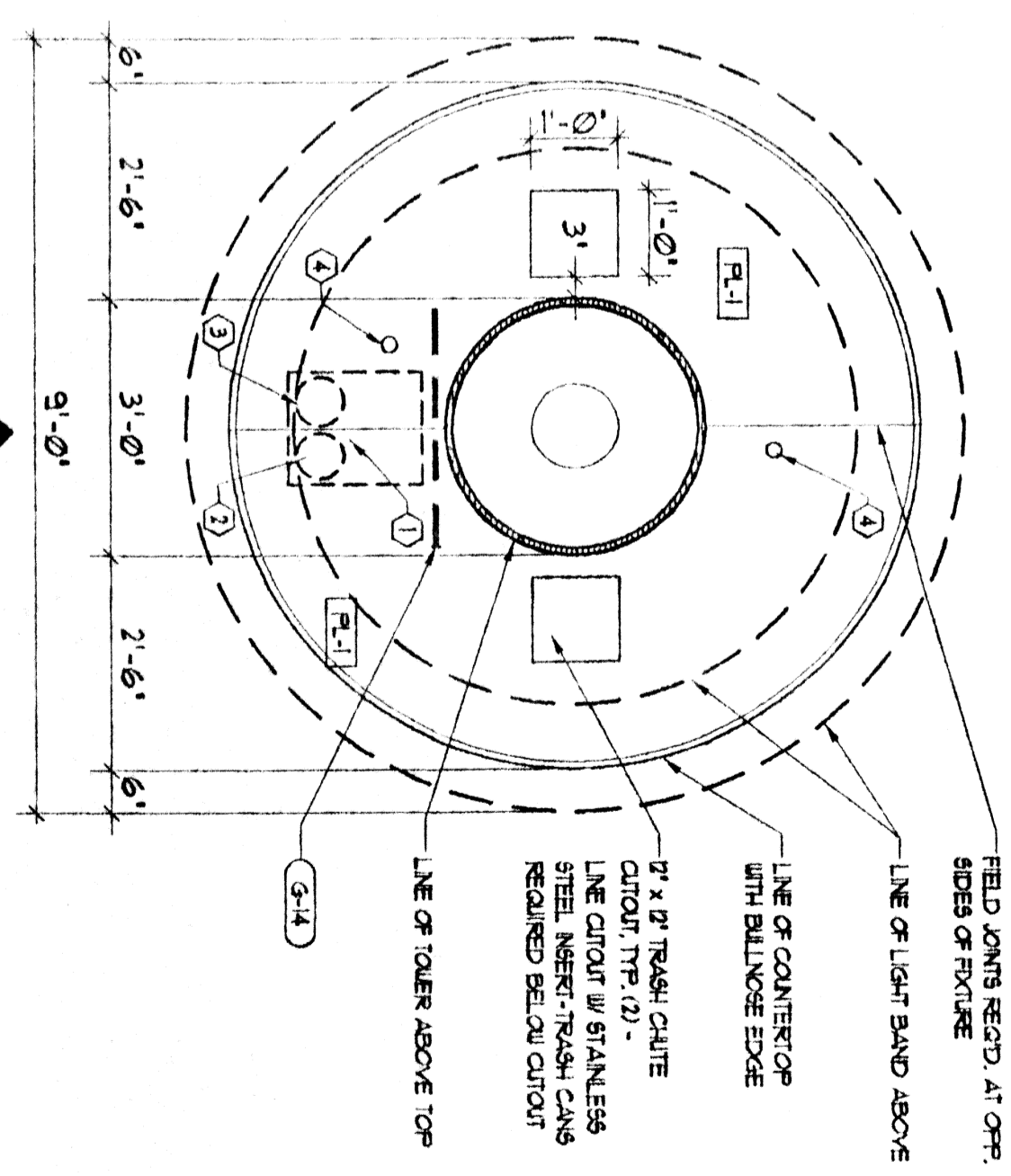
7 LIGHTING PLAN
SCALE: 1/2" = 1'-0"



2 PLAN SECTION
SCALE: 1/2" = 1'-0"



1 PLAN VIEW
SCALE: 1/2" = 1'-0"



1 PLAN VIEW
SCALE: 1/2" = 1'-0"

DRAWING NOTES

1. 3/4" THICK POLYURETHANE GLASS, 1/2" THICK CLEAR SHEET
2. 3/4" THICK POLYURETHANE GLASS, 1/2" THICK BLACK TOP
3. 3/4" THICK POLYURETHANE GLASS, 1/2" THICK CHROME TOP
4. 1/2" THICK POLYURETHANE GLASS, 1/2" THICK CHROME TOP
5. 1/2" THICK POLYURETHANE GLASS, 1/2" THICK CHROME TOP
6. 1/2" THICK POLYURETHANE GLASS, 1/2" THICK CHROME TOP
7. 1/2" THICK POLYURETHANE GLASS, 1/2" THICK CHROME TOP
8. 1/2" THICK POLYURETHANE GLASS, 1/2" THICK CHROME TOP
9. 1/2" THICK POLYURETHANE GLASS, 1/2" THICK CHROME TOP
10. 1/2" THICK POLYURETHANE GLASS, 1/2" THICK CHROME TOP

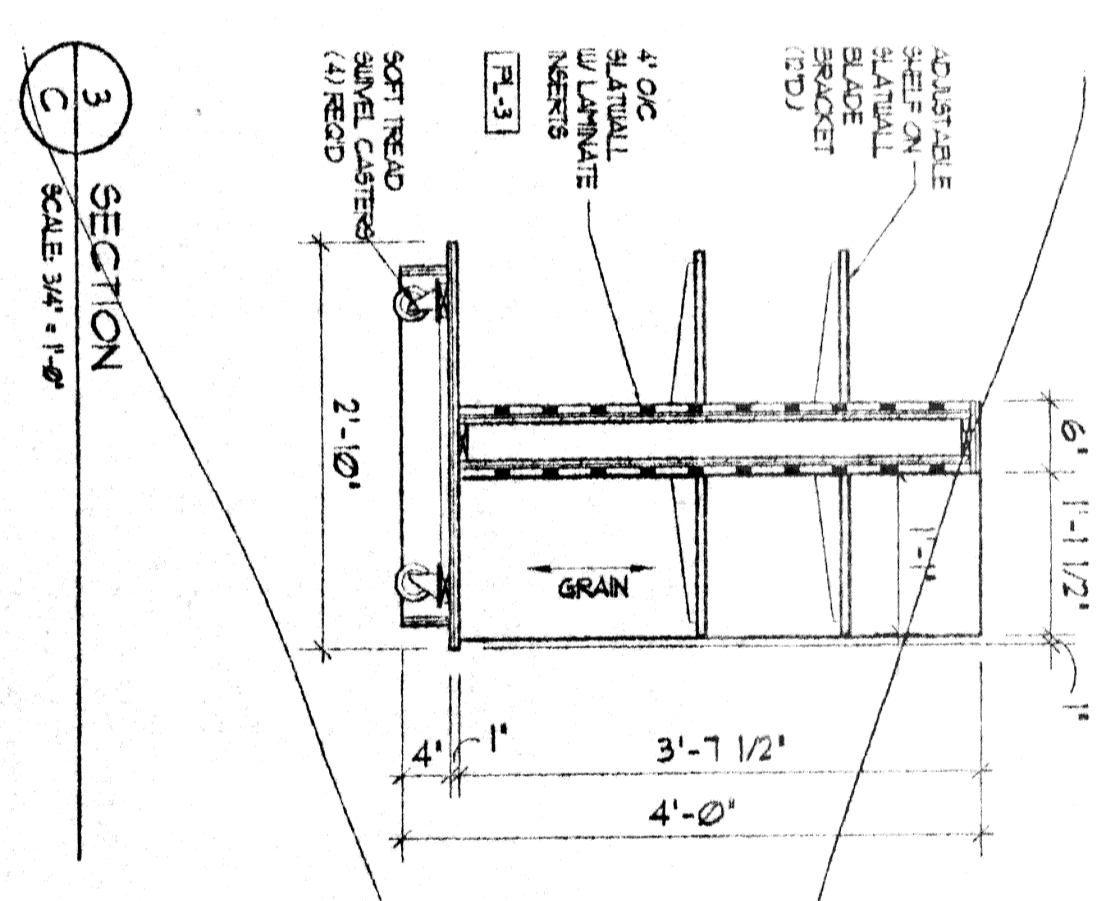
8 INFORMATION CENTER TOWER
SCALE AS SHOWN

GENERAL NOTES

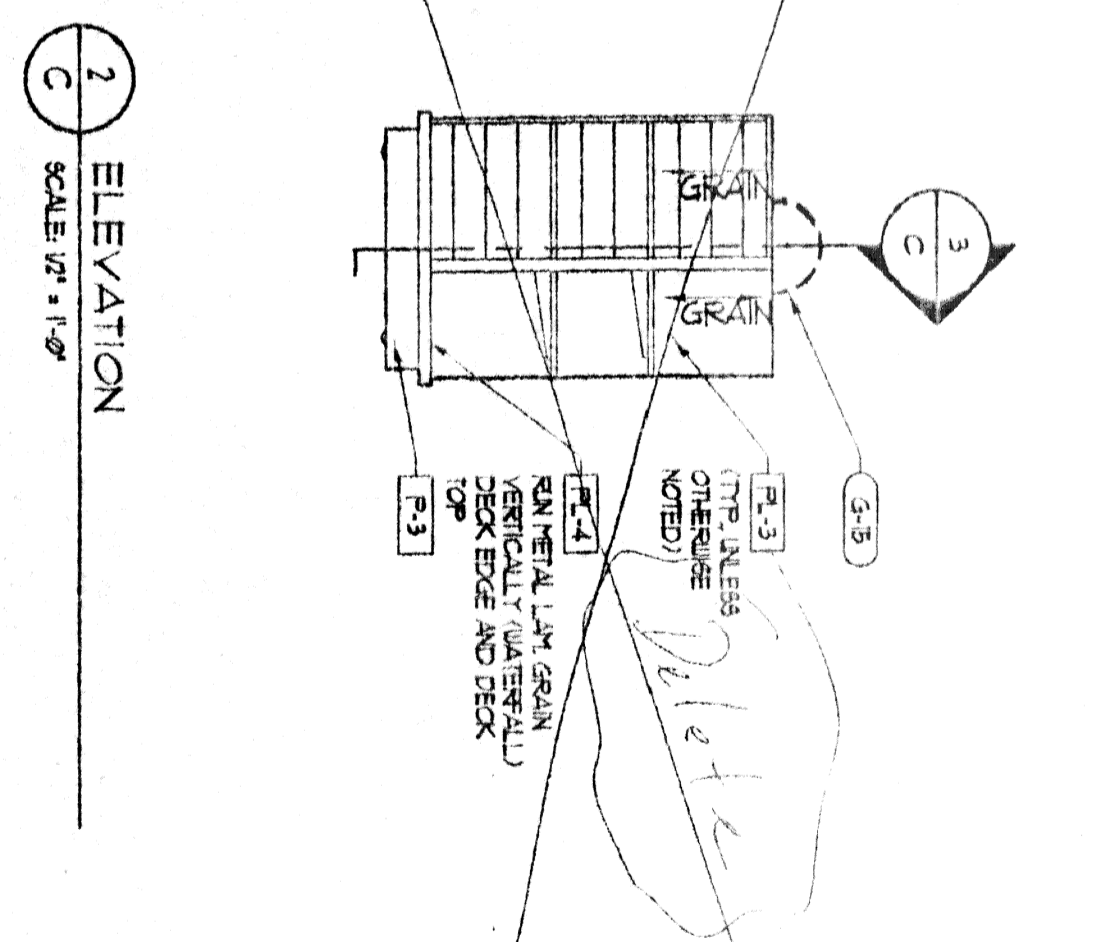
1. REFER TO H-1 FOR FINISH SPEC'S
2. REFER TO ELEC. DRAWINGS FOR ADDITIONAL INFO

SYMBOL LEGEND

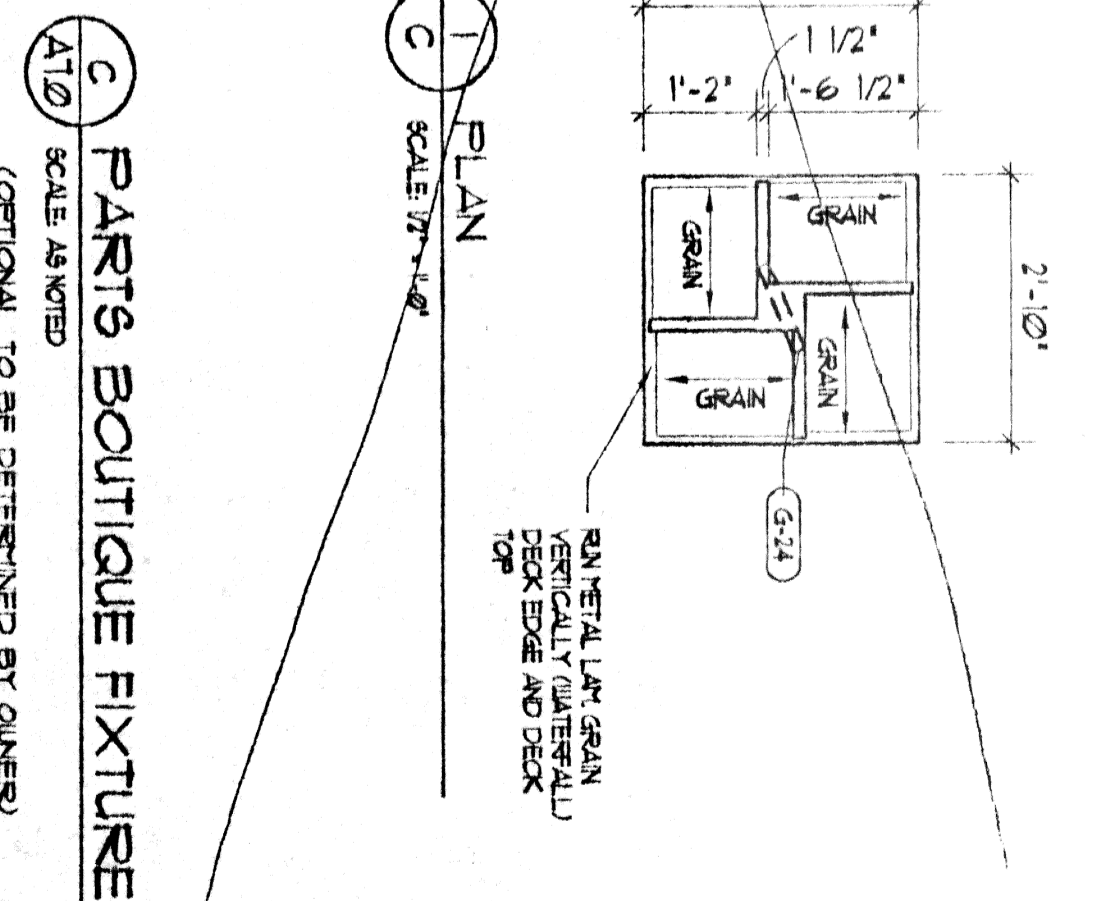
○	NOTE: DIMENSIONS - REFER TO DRAWING NOTES FOR SECTION SECTION
□	FINISH SPECIFICATION - REFER TO FINISH SPECIFICATION SHEET H-1
△	DETAIL SEPARATOR - REFER TO DETAIL 'N' SECTION ON THIS SHEET.



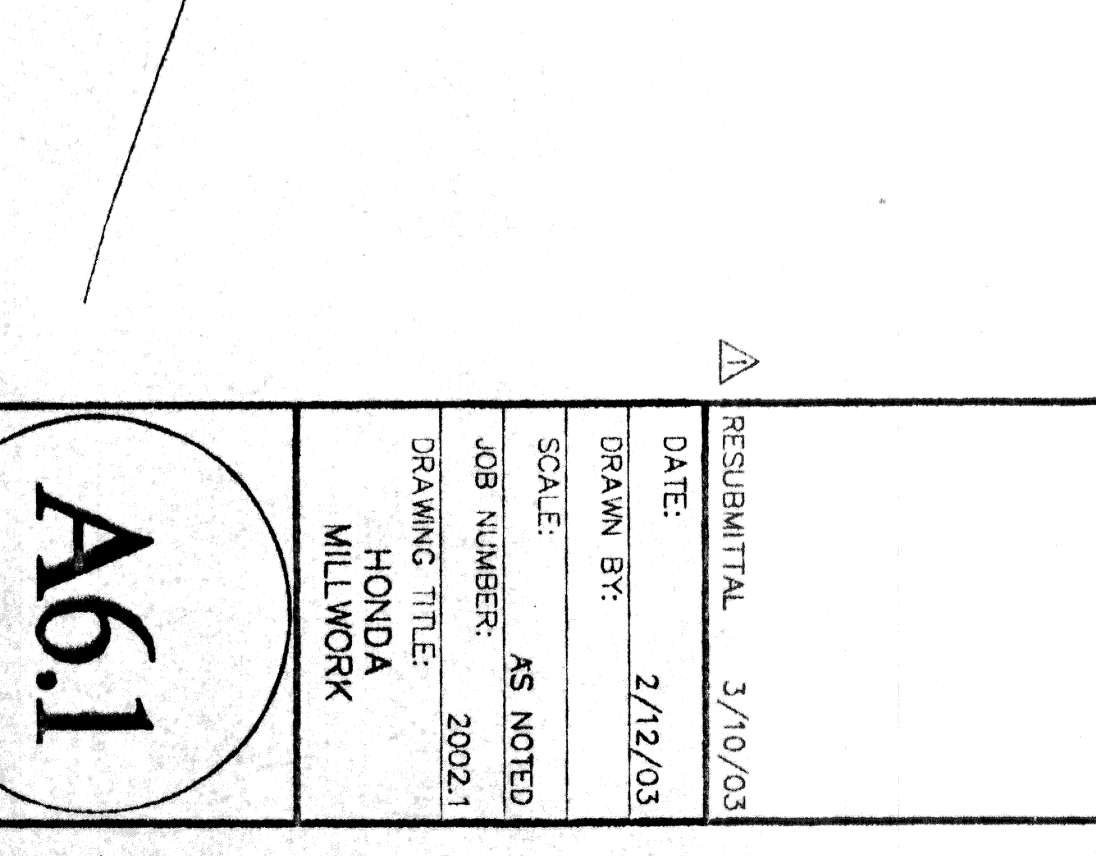
3 SECTION
SCALE: 3/4" = 1'-0"



2 ELEVATION
SCALE: 1/2" = 1'-0"



1 PLAN
SCALE: 1/2" = 1'-0"



2 PARTS BOUTIQUE FIGURE
SCALE AS SHOWN
OPTIONAL TO BE DETERMINED BY OWNER

HONDA OF SLIDELL
NEW FACILITY
SLIDELL, LA.

THOMAS PARTNERSHIP
ARCHITECTURE-PLANNING

3000 SOUTH VINE STREET, DENVER, COLORADO 80210 PHONE (303) 589-7504 FAX (303) 691-9790

A6.1

RESUBMITTED: 3/10/03
DATE: 2/12/03
DRAWN BY: AS NOTED
JOB NUMBER: 2002.1
DRAWING TITLE: MILLWORK