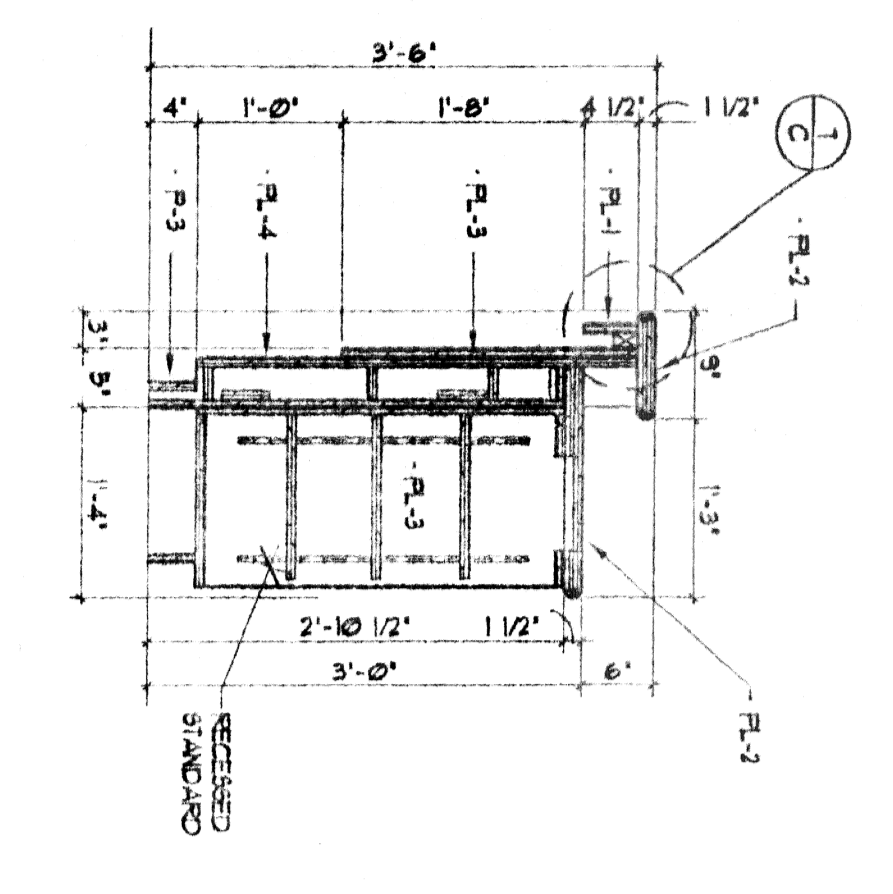
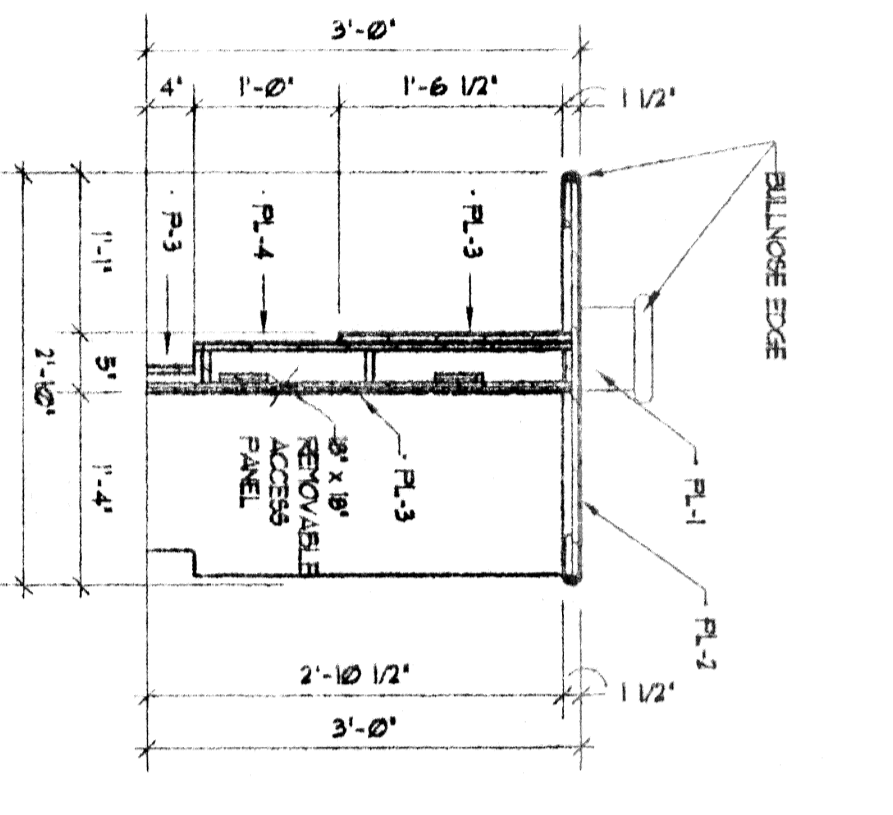


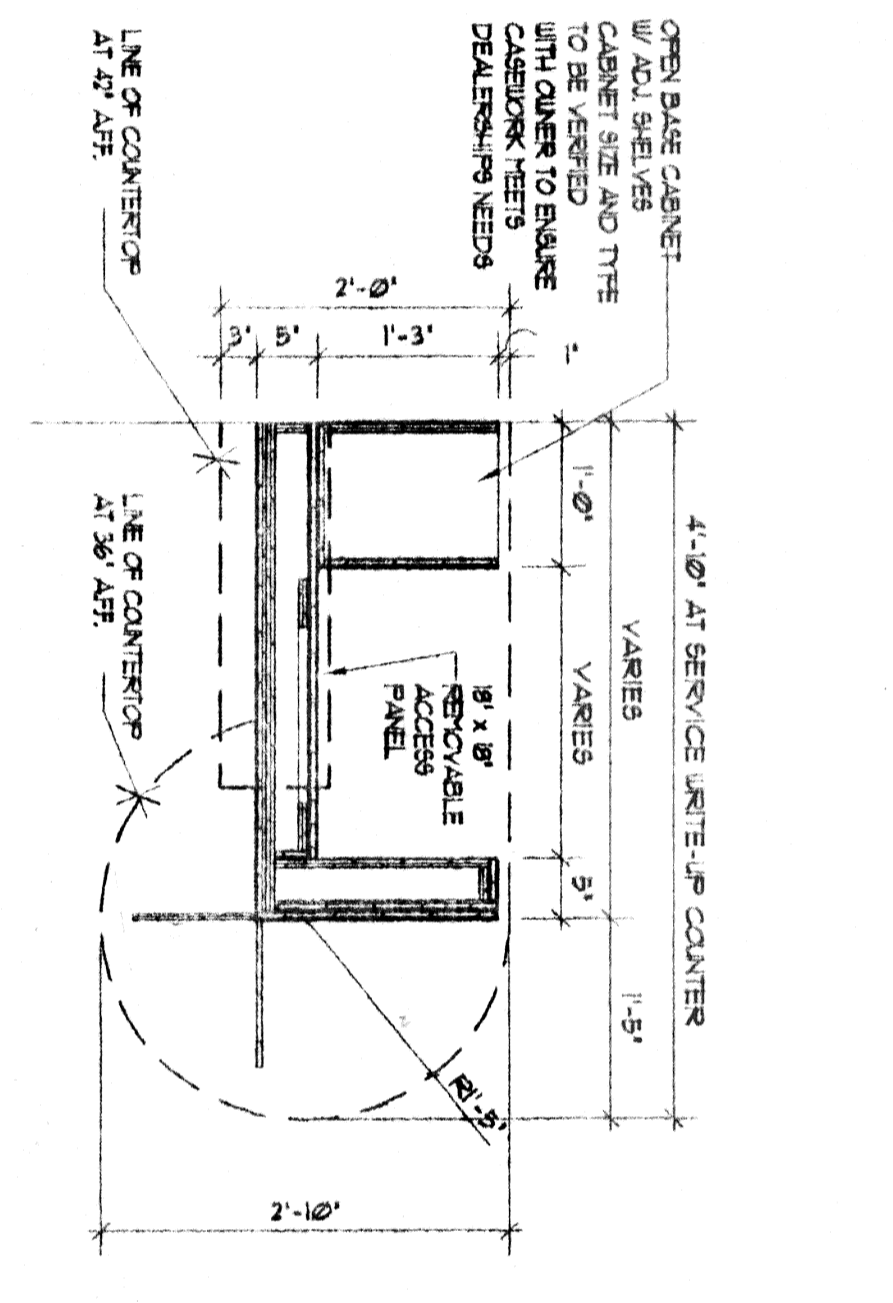
1 DETAIL
SCALE: 1/2" = 1'-0"



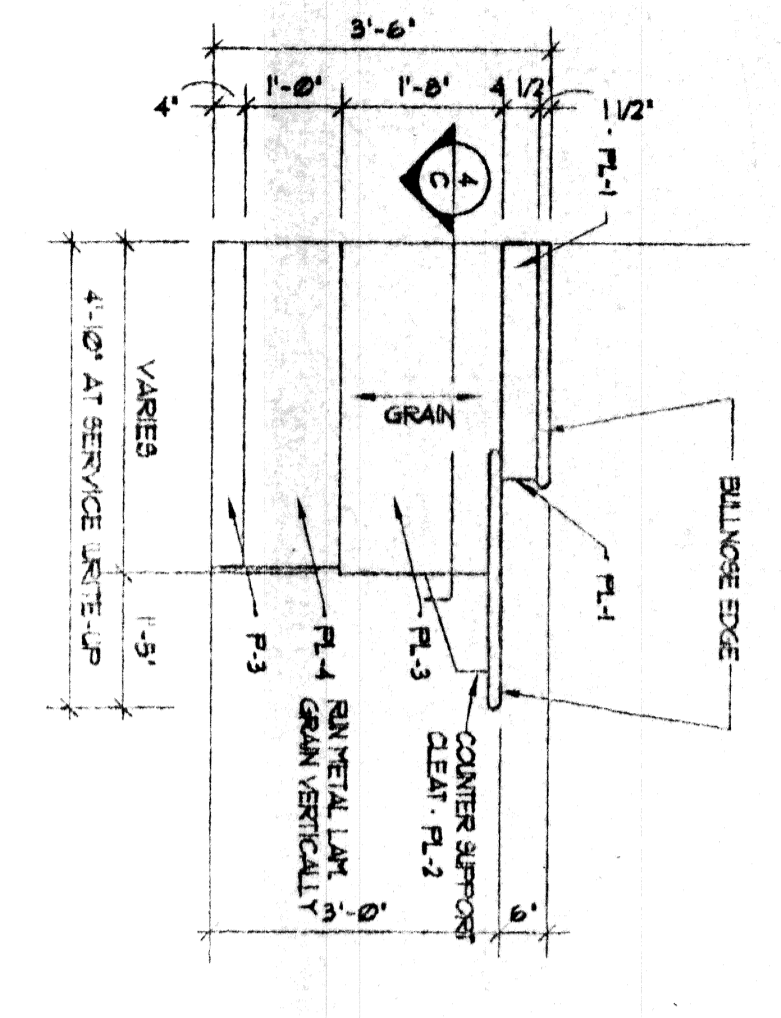
6 SECTION
SCALE: 1/2" = 1'-0"



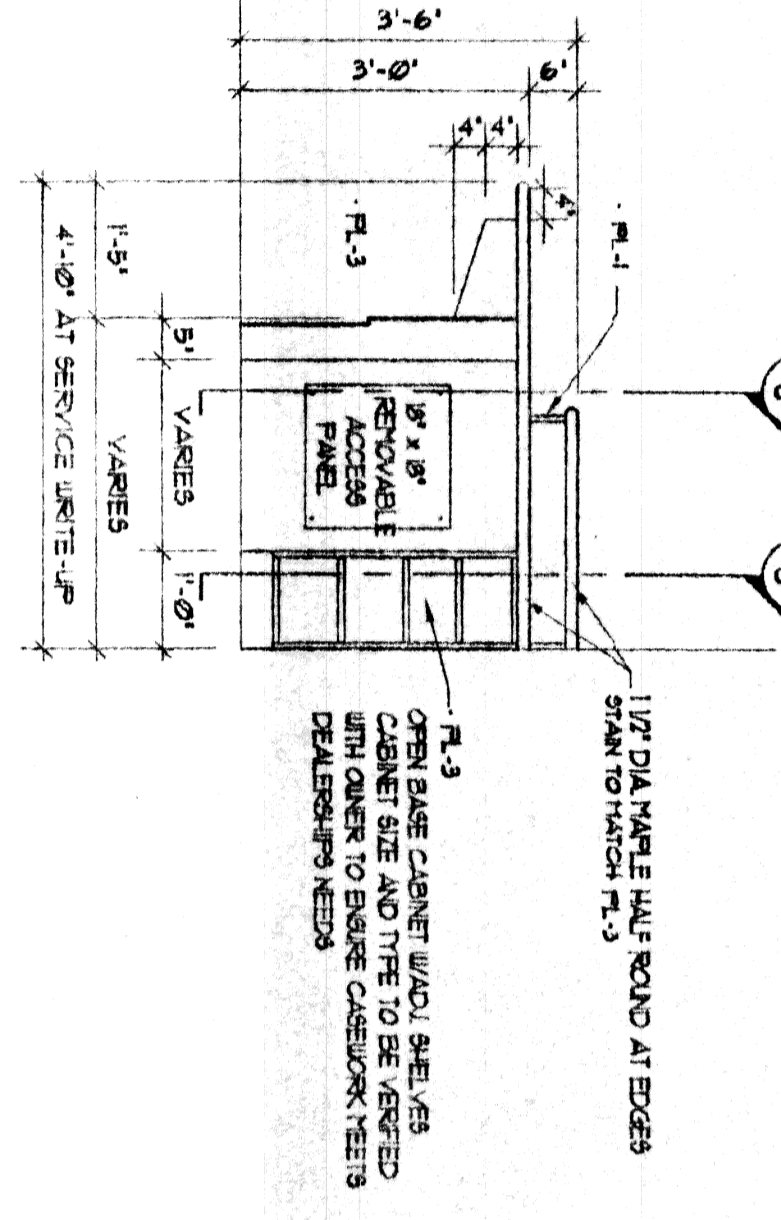
5 SECTION
SCALE: 1/2" = 1'-0"



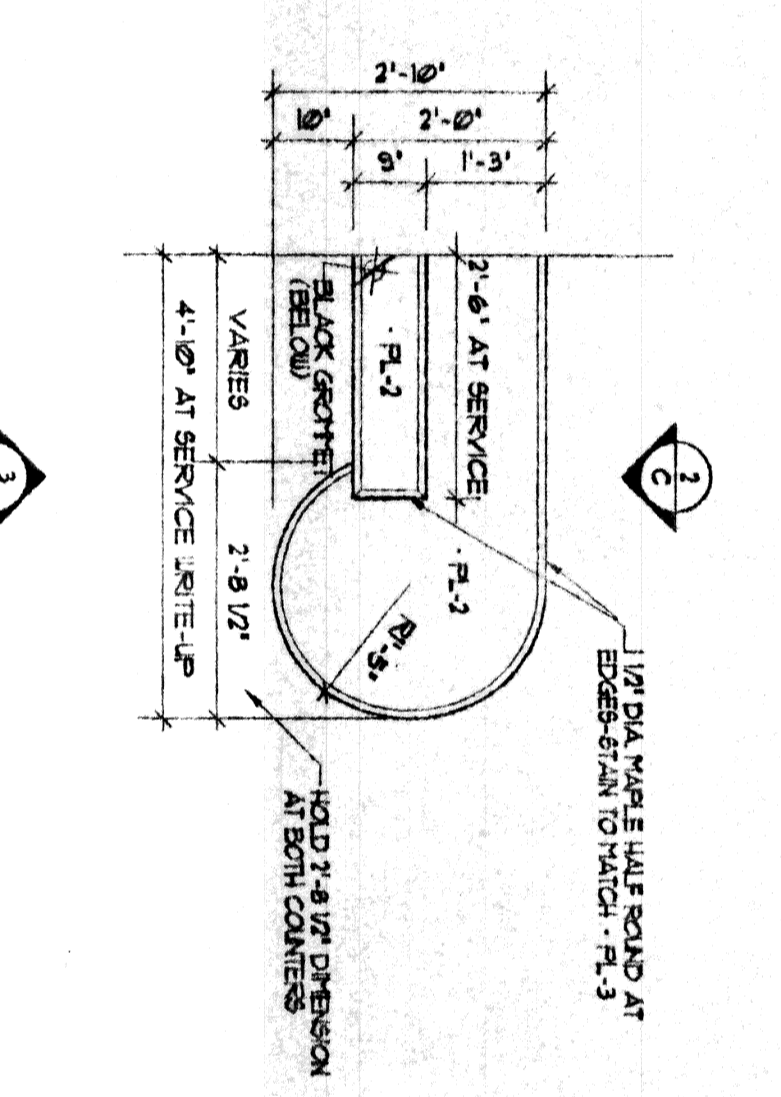
4 PLAN SECTION
SCALE: 1/2" = 1'-0"



3 ELEVATION
SCALE: 1/2" = 1'-0"



2 ELEVATION
SCALE: 1/2" = 1'-0"

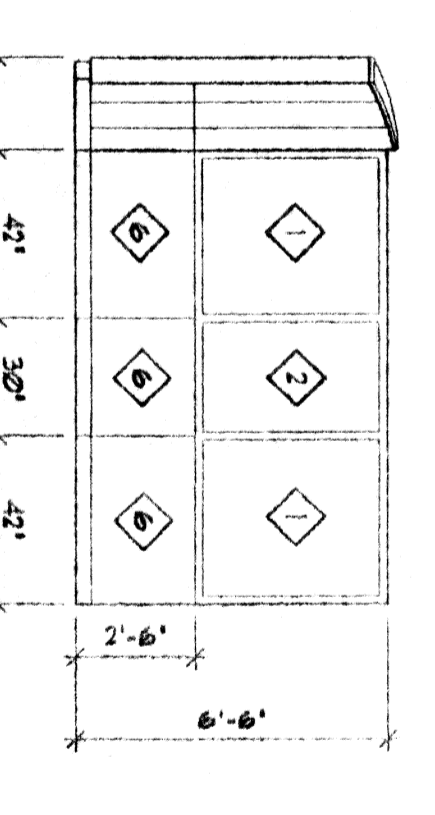


1 PLAN
SCALE: 1/2" = 1'-0"

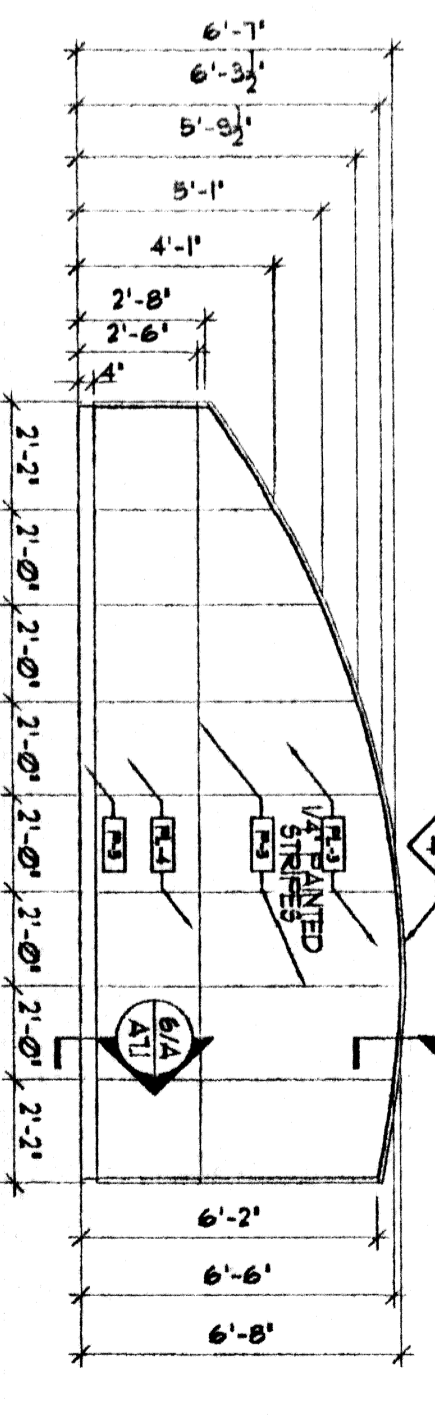
A6.2 SERVICE RECEPTION DESK
SCALE AS NOTED

SYMBOL LEGEND	
◇	NOTE DESIGNATOR - REFER TO DRAWING NOTES FOR EXPLANATION
□	FINISH DESIGNATOR - REFER TO FINISH SCHEDULE ON SHEET 1-1
XX	DETAIL DESIGNATOR - REFER TO DETAIL 'X' ON SHEET E-X

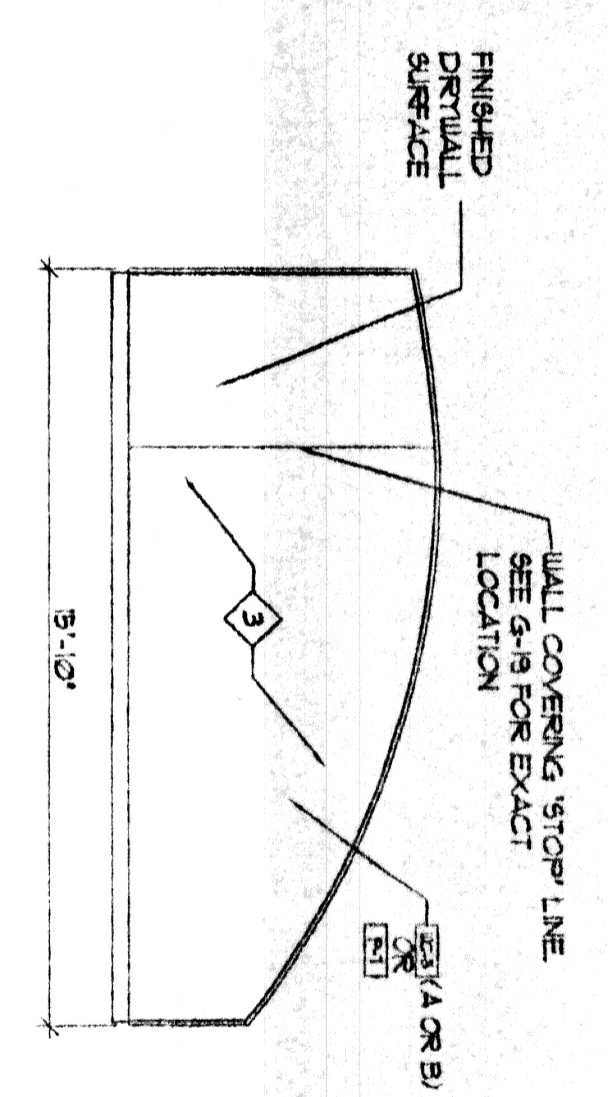
- DRAWING NOTES
- GLAZED PANEL WITH LAMINOT KIT REMOVE POWER
 - AS REQUIRED - REFER TO FINISH SCHEDULE ON SHEET 1-1 FOR INFORMATION
 - PLASTIC LAMINATE PANEL SHOWN TO [E-3] WITH LAMINOT KIT REMOVE POWER AS REQUIRED FOR INFORMATION
 - REFER TO ARCHITECT'S PLACEMENT PLAN ON SHEET A-4
 - FOR INFORMATION INFORMATION
 - REFER TO ARCHITECT'S PLACEMENT PLAN ON SHEET A-4
 - REFER TO ARCHITECT'S PLACEMENT PLAN ON SHEET A-4
 - REFER TO ARCHITECT'S PLACEMENT PLAN ON SHEET A-4
 - REFER TO ARCHITECT'S PLACEMENT PLAN ON SHEET A-4
 - REFER TO ARCHITECT'S PLACEMENT PLAN ON SHEET A-4



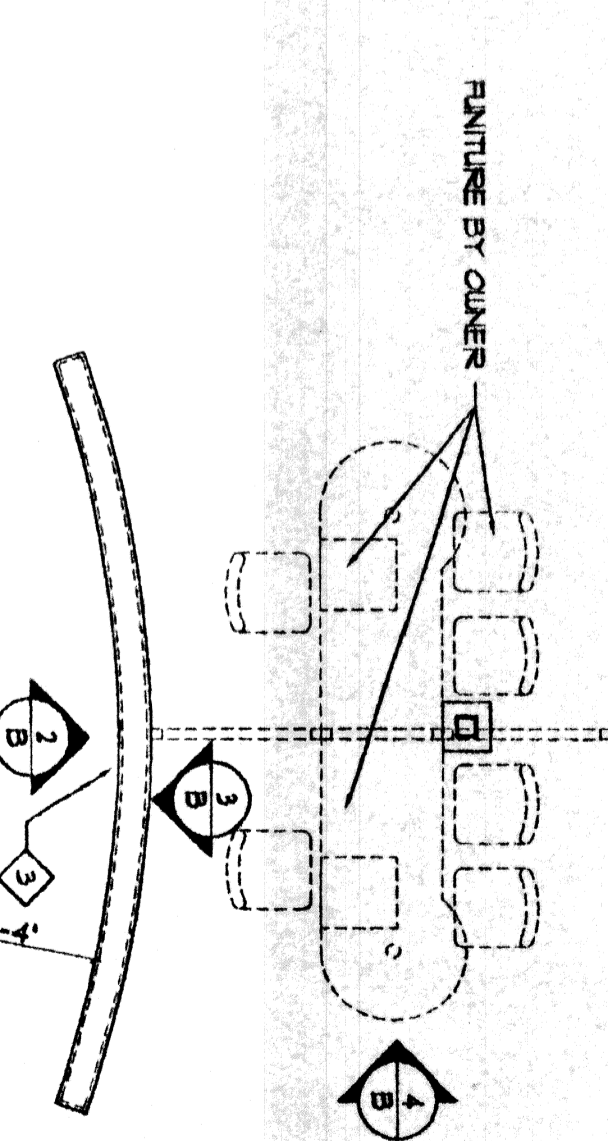
4 ELEVATION
SCALE: 1/2" = 1'-0"



3 ELEVATION - CONSULTATION SIDE (FLATTENED)
SCALE: 1/2" = 1'-0"

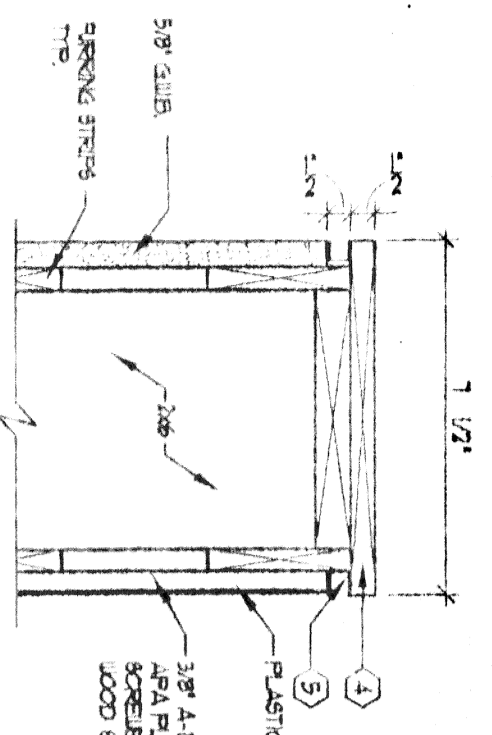


2 ELEVATION - DISPLAY SIDE (FLATTENED)
SCALE: 1/2" = 1'-0"

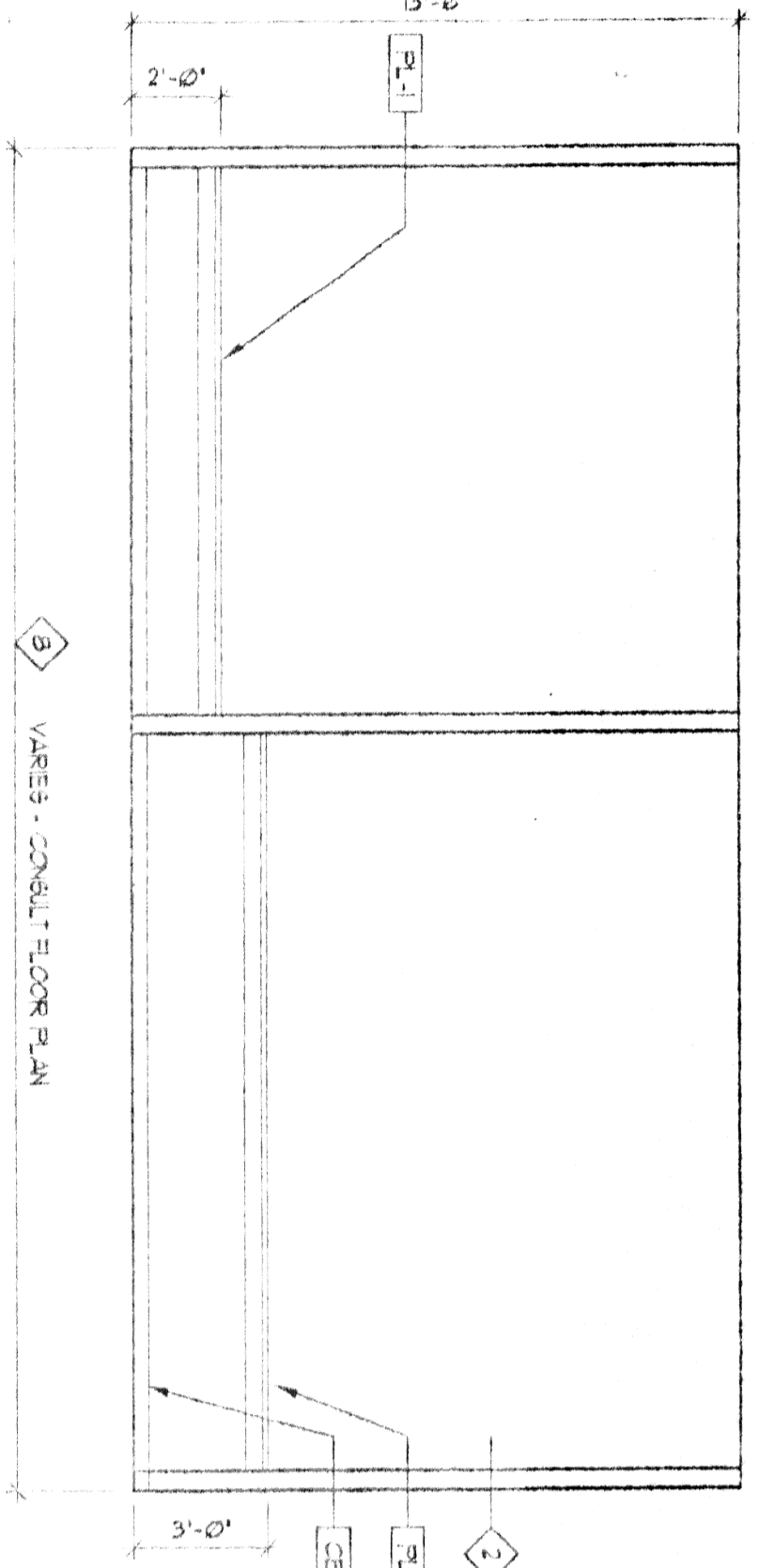


1 PLAN
SCALE: 1/2" = 1'-0"

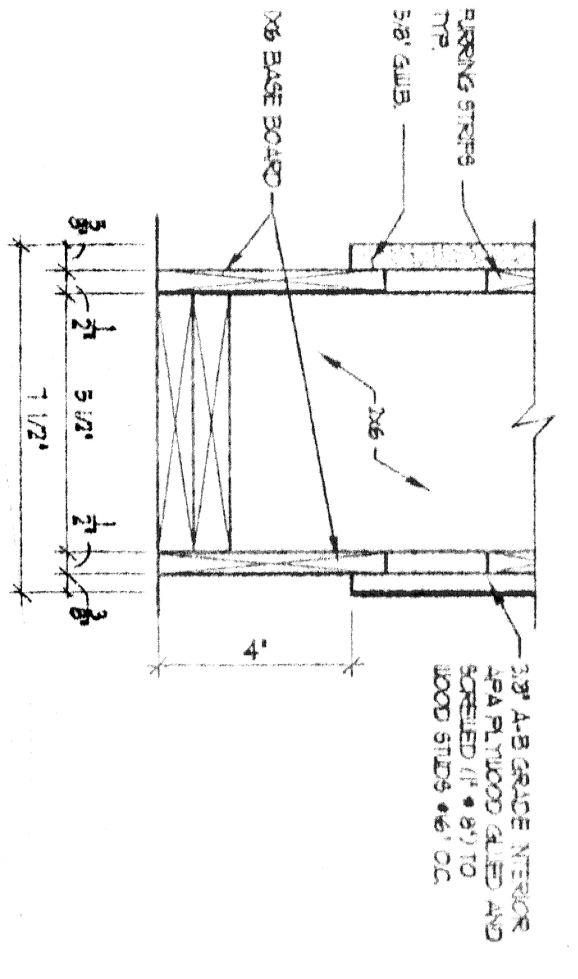
A6.3 CAR DISPLAY WALL
SCALE AS NOTED



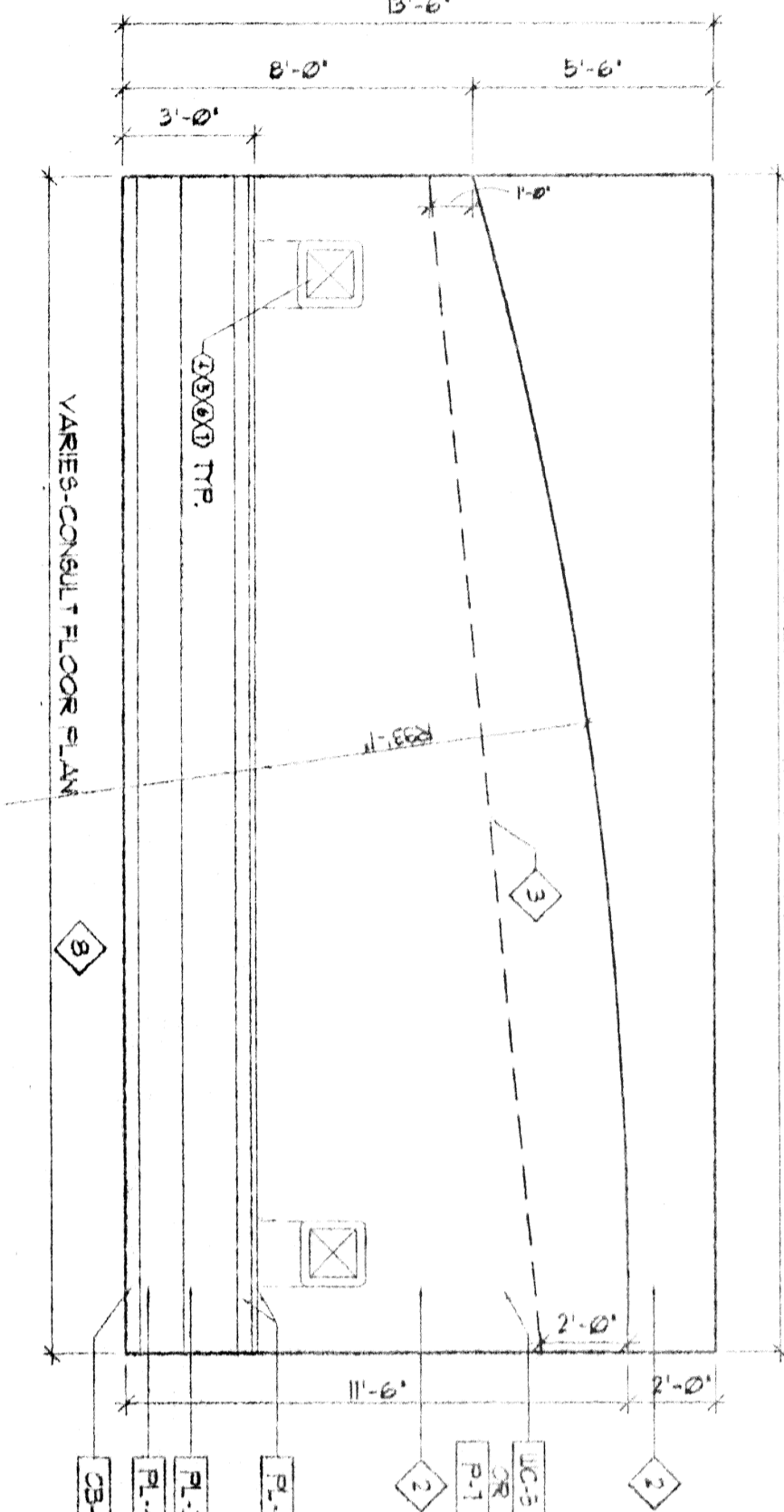
1 CAP DETAIL
SCALE: 1/2" = 1'-0"



5 SECTION
SCALE: 1/2" = 1'-0"

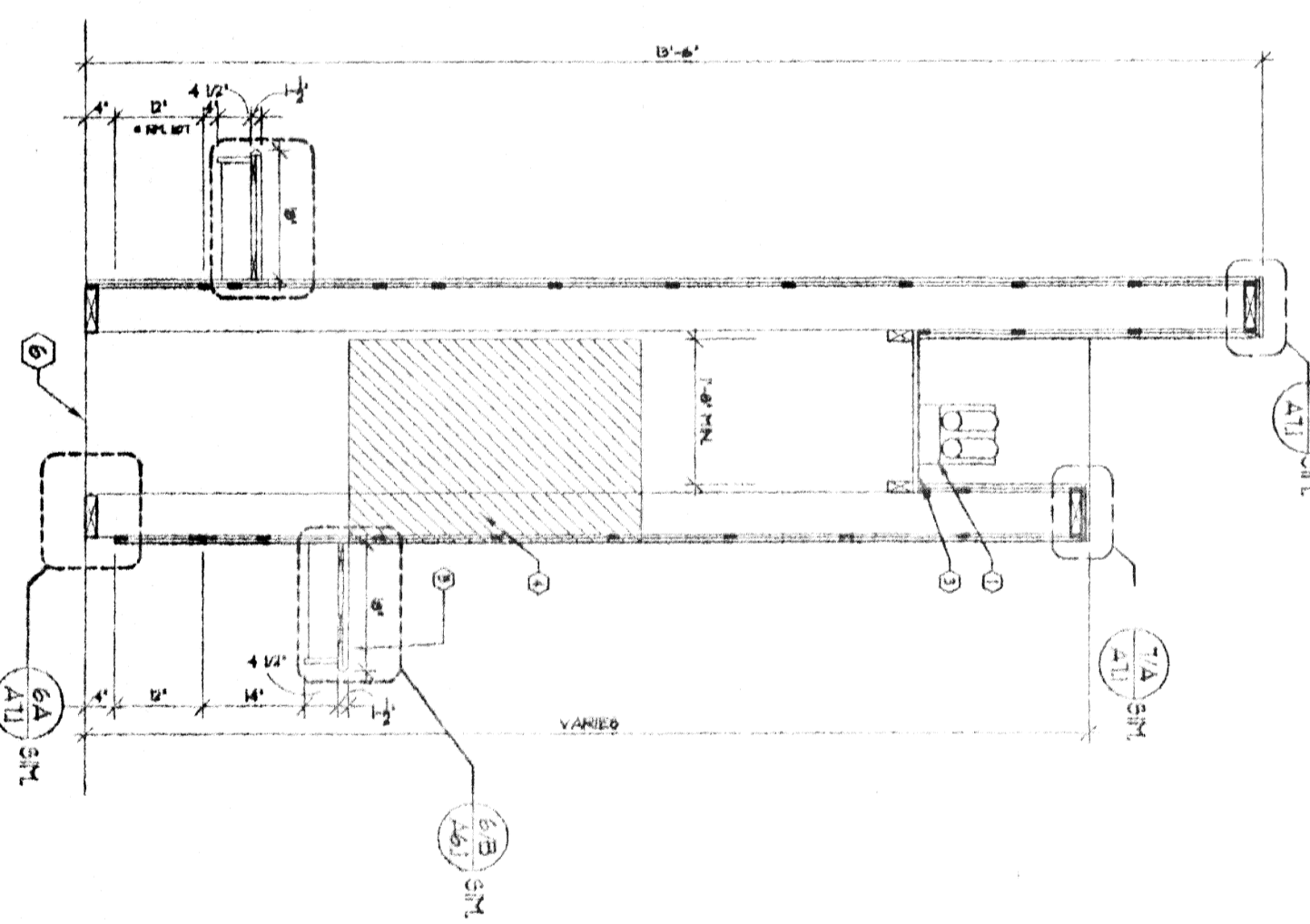


6 BASE DETAIL
SCALE: 1/2" = 1'-0"

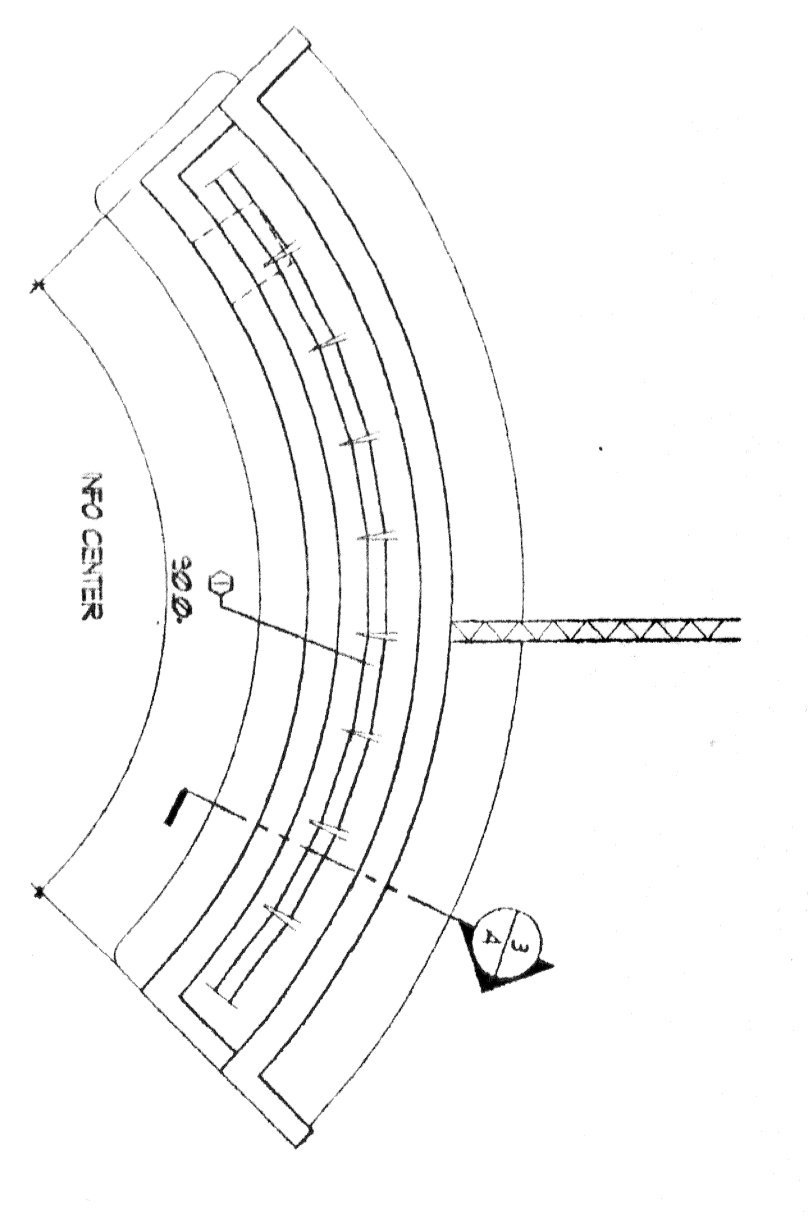


4 SECTION
SCALE: 1/2" = 1'-0"

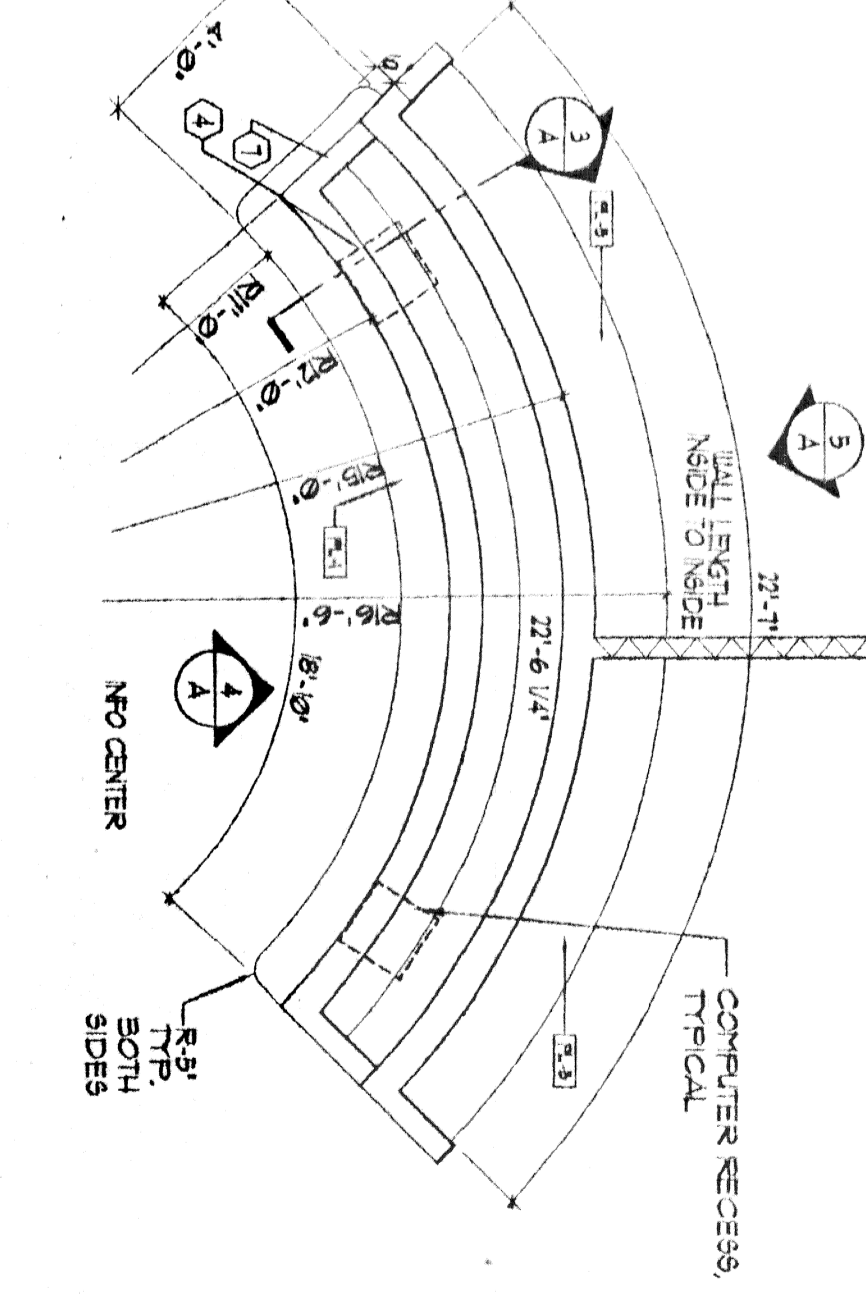
- DRAWING NOTES (CONTINUED)
- REMOVE POWER AS REQUIRED FOR INFORMATION
 - AS REQUIRED - REFER TO FINISH SCHEDULE ON SHEET 1-1 FOR INFORMATION
 - PLASTIC LAMINATE PANEL SHOWN TO [E-3] WITH LAMINOT KIT REMOVE POWER AS REQUIRED FOR INFORMATION
 - REFER TO ARCHITECT'S PLACEMENT PLAN ON SHEET A-4
 - FOR INFORMATION INFORMATION
 - REFER TO ARCHITECT'S PLACEMENT PLAN ON SHEET A-4
 - REFER TO ARCHITECT'S PLACEMENT PLAN ON SHEET A-4
 - REFER TO ARCHITECT'S PLACEMENT PLAN ON SHEET A-4
 - REFER TO ARCHITECT'S PLACEMENT PLAN ON SHEET A-4
 - REFER TO ARCHITECT'S PLACEMENT PLAN ON SHEET A-4



3 SECTION
SCALE: 1/2" = 1'-0"



2 LIGHTING PLAN
SCALE: 1/2" = 1'-0"



1 FLOOR PLAN
SCALE: 1/2" = 1'-0"

A6.4 INFORMATION CENTER CURVED WALL
SCALE AS NOTED