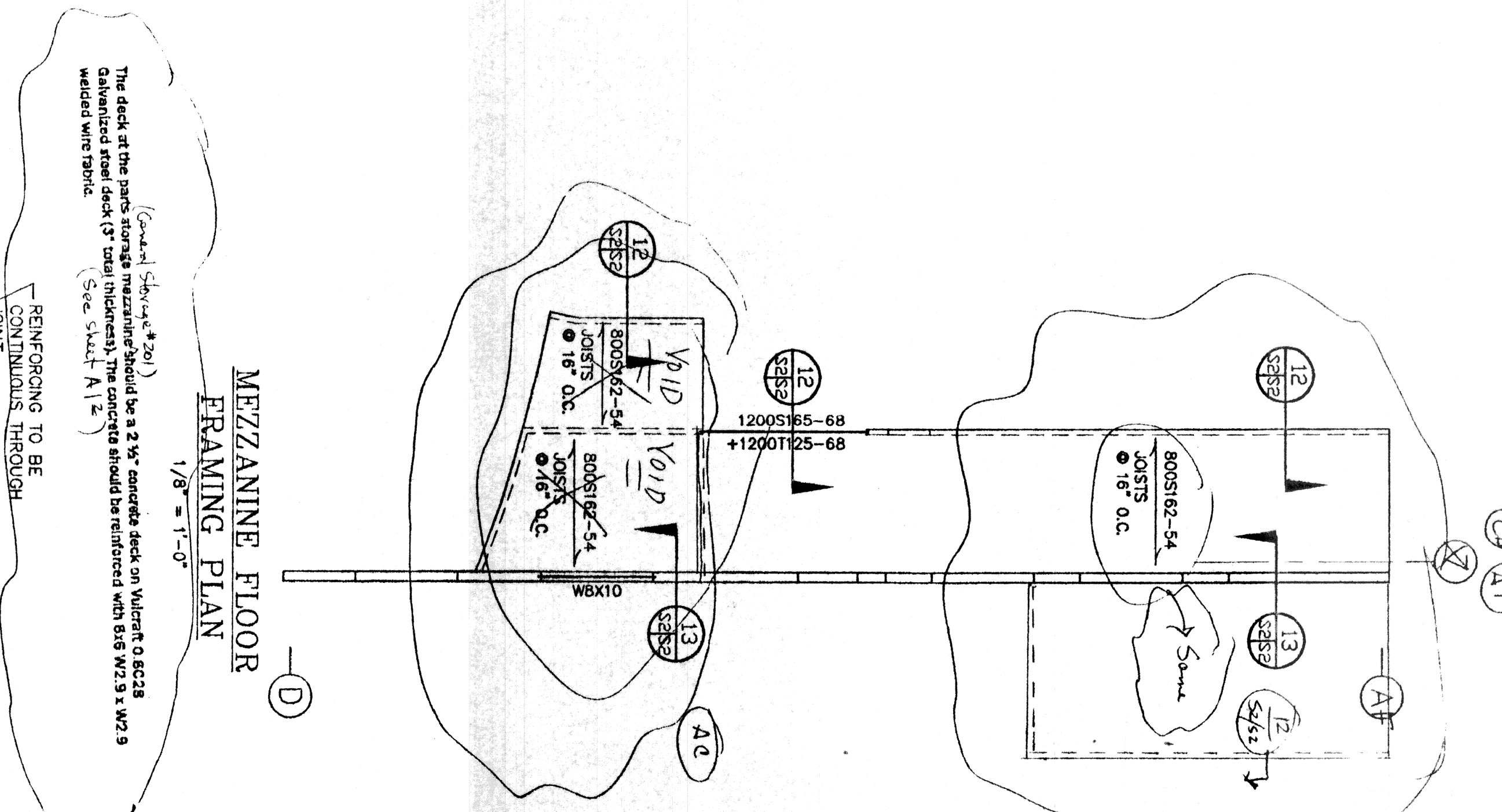


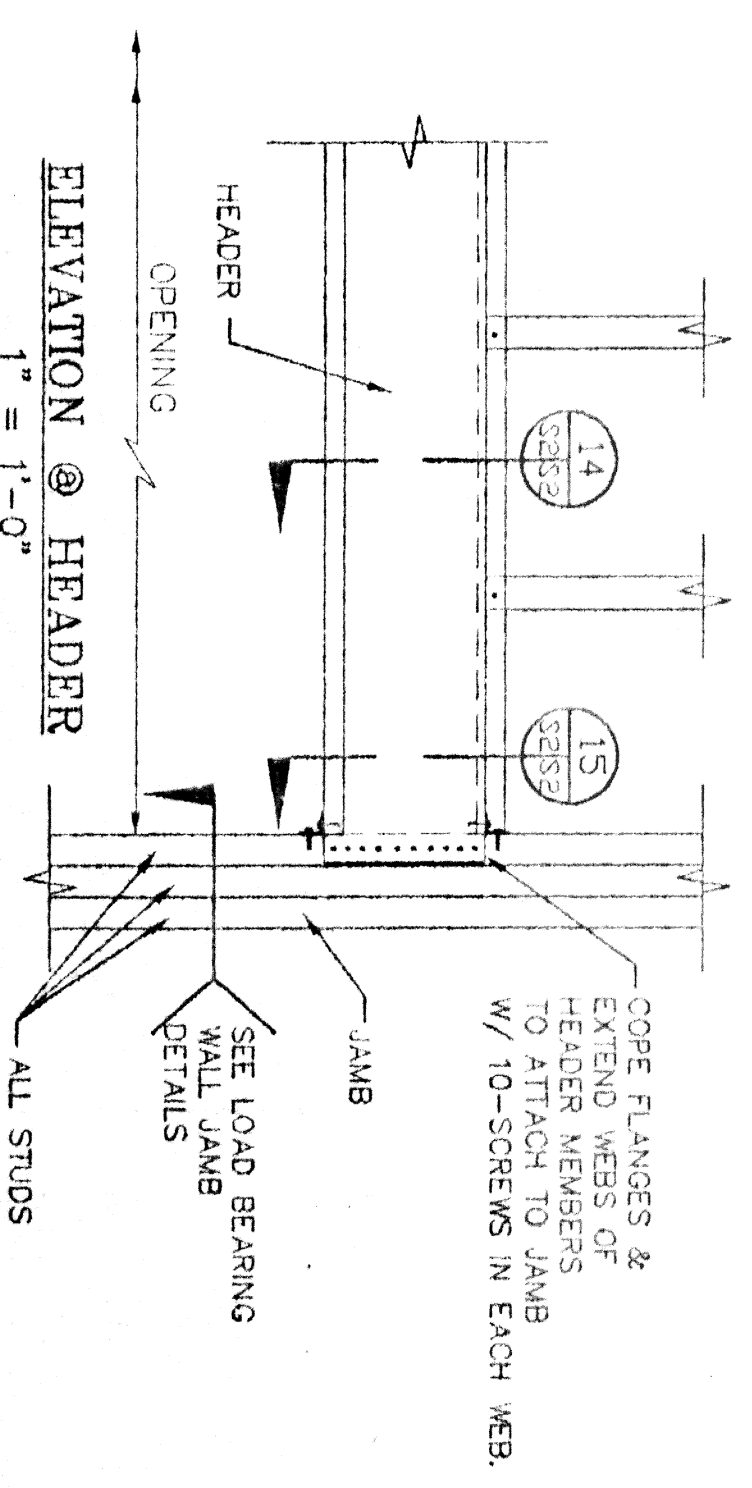
TYPICAL COLUMN BASE CONNECTION TO CONCRETE

TYPICAL BEAM CONSTRUCTION JOINT

TYPICAL SLAB CONSTRUCTION JOINT



LOAD BEARING JAMB DETAILS  
NO SCALE



JEFFREY THOMAS AVENGO INC.  
A PROFESSIONAL ENGINEERING CORPORATION  
2816 ROBERT ST. NEW ORLEANS, LA 70125  
PH. 504-895-8891 FAX. 504-895-8833

DATE: 02/11/03  
DRAWN BY: MFS  
SCALE: AS NOTED  
JOB NUMBER: 2002.1  
DRAWING TITLE: FOUNDATION & FIRST FLOOR SECTIONS

HONDA OF SLIDELL  
NEW FACILITY  
SLIDELL, LA.

THOMAS PARTNERSHIP  
ARCHITECTURE-PLANNING

3000 SOUTH VINE STREET, DENVER, COLORADO 80210 PHONE (303) 569-7504 FAX (303) 691-9790

S-2