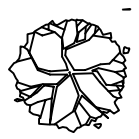
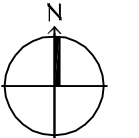



**LANDSCAPING LEGEND**


 RM - RED MAPLE  
 ALL CLASS "A" TREES, AT THE TIME OF PLANTING, SHALL HAVE A MINIMUM CALIPER OF AT LEAST 2" TO 2 1/2", MEASURED SIX (6") INCHES ABOVE THE ROOT BALL, AND A MINIMUM HEIGHT OF 10-12 FEET.

  
**64**  
**1 SITE PLAN**  
 SCALE: 1"=30'-0"

**DAMMON**  
**ENGINEERING, INC.**  
 LOUISIANA & MISSISSIPPI  
 Chief Engineer: Brian A. Mitch, PE  
 554 Old Spanish Trail  
 Slidell, LA 70488  
 www.dammonengineering.com  
 info@dammonengineering.com  
 PH: 985.649.9832

#	DESCRIPTION	DATE

SEAL:  
  
 BRIAN A. MITCH  
 License No. 30187  
 PROFESSIONAL ENGINEER

**NEW BUILDING**  
**PINEDOOD VENUE**  
 405 COUNTRY CLUB BLVD.  
 SLIDELL, LA, 70488  
 JOB No: 2224 DATE: 01-30-18  
 DRAWN BY: BAW CHECKED BY: C&D

SHEET TITLE:  
 SITE PLAN  
 DRAWING NUMBER:  
**C101**  
 SHEET No: 1 of 2

**BUILDING CODE INFORMATION**

APPLICABLE CODES  
IBC 2012

**WIND SPEED DESIGN REQUIREMENTS**

THIS BUILDING SHALL BE DESIGNED WITH IBC SEC 1609 AS A FULLY ENCLOSED BLDG USING THE FOLLOWING INFORMATION:

WIND DESIGN DATA:

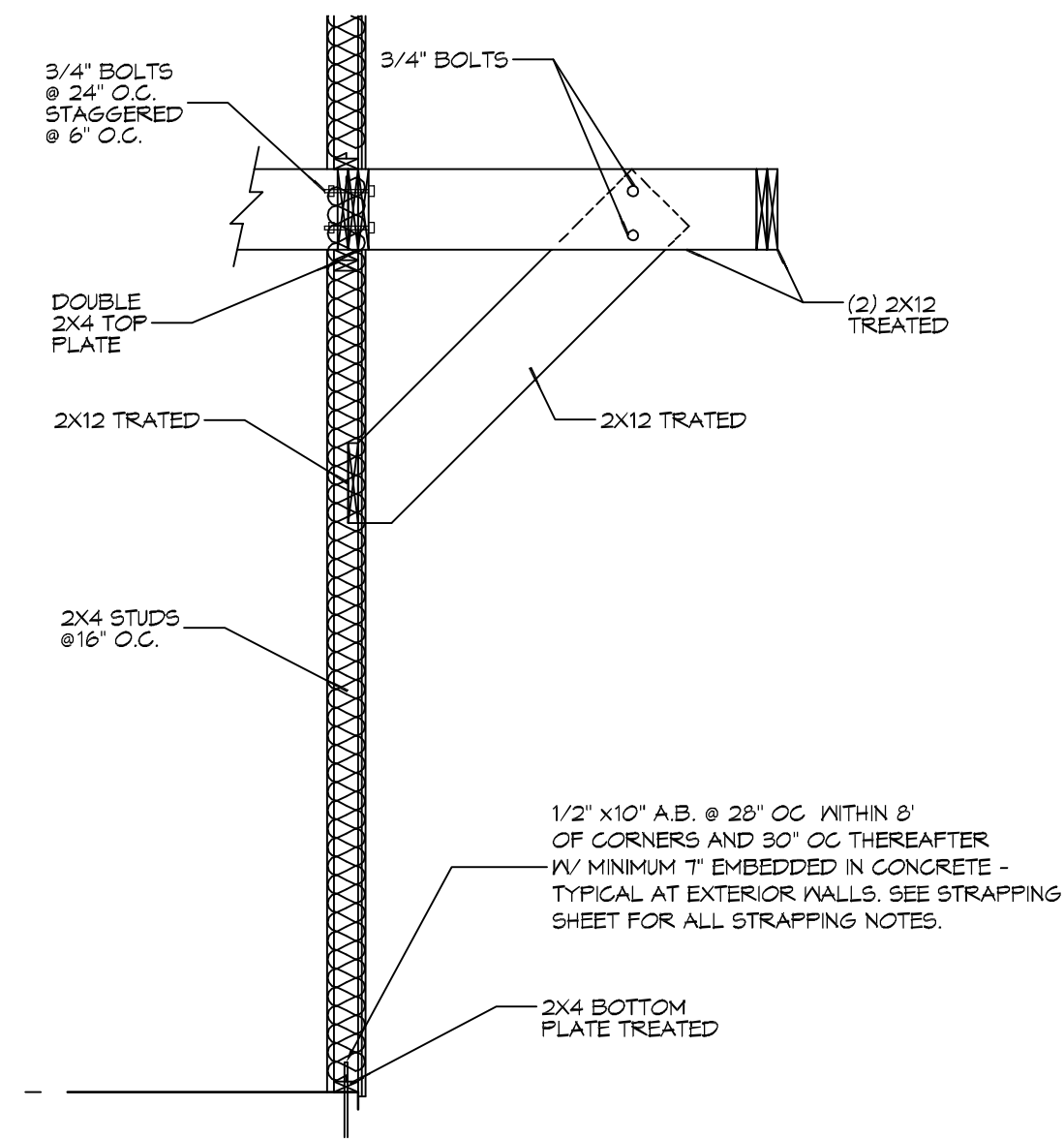
DETERMINATION OF WIND LOADS SHALL BE IN ACCORDANCE WITH IBC SEC 1609.3 (A), (B), OR (C) DEPENDING ON THE RISK CATEGORY  
 BASIC WIND SPEED (BY ATC.ORG) 142 MPH (BY ATC.ORG)  
 V MIT WIND SPEED 110 MPH  
 RISK FACTOR: CATEGORY II BLDG SURFACE ROUGHNESS = B  
 TOPOGRAPHIC FACTOR = 1 EXPOSURE = B  
 DESIGN WIND PRESSURE (ASCE 7-10 TABLE 29.6-1): 40.2 PSF  
 INTERNAL PRESSURE COEFFICIENT (ASCE 7-10 TABLE 26.11-1): ± 0.18  
 LIVE LOADS (IBC SEC 1607)  
 FIRST FLOOR LIVE LOADS (IBC TABLE 1607.1): 100 PSF  
 CORRIDOR LIVE LOADS (IBC TABLE 1607.1): 100 PSF  
 FLOOR LIVE LOADS ABOVE 1ST FLOOR (IBC TABLE 1607.1): 80 PSF  
 ROOF LIVE LOADS (IBC TABLE 1607.1): 20 PSF UNIFORM, 300 LB CONCENTRATED  
 SNOW LOADS (IBC TABLE 1608):  
 GROUND SNOW LOAD (IBC FIG 1608.2): 5 PSF

**FLOOD ZONE INFORMATION**

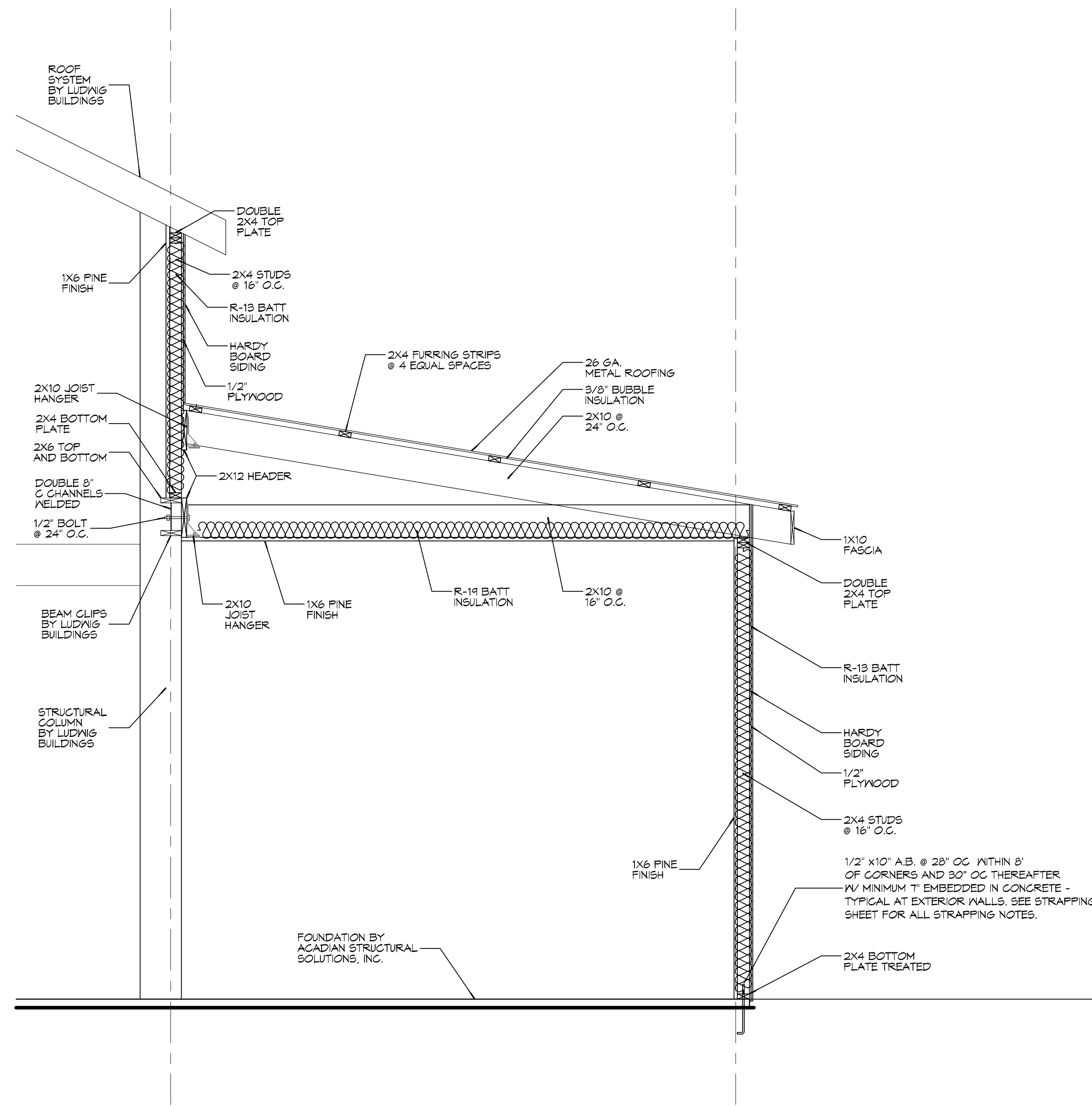
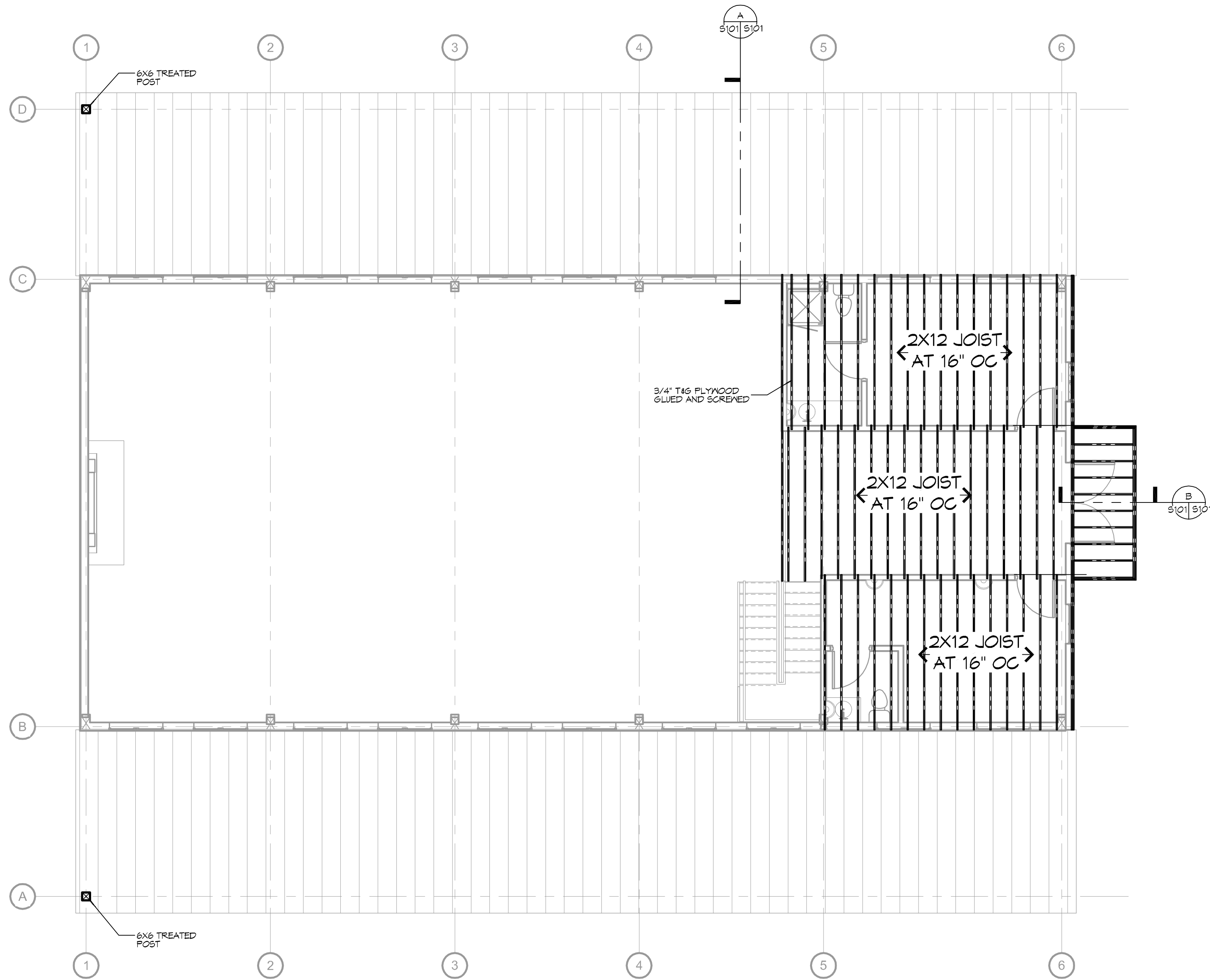
BASED ON THE SURVEY OF THIS PROPERTY BY J.V. BURKES THIS PROPERTY IS IN SPECIAL FLOOD HAZARD AREA. F.I.R.M. COMMUNITY MAP NO 220204 0005 G, DATED 4/21/99.  
 FLOOD ZONE: AE 4 X BASE FLOOD ELEVATION 18'  
 ELEVATIONS REFER TO NGVD 1929 DATUM

**DESIGN CRITERIA:**

THE CONSTRUCTION, WHERE BASIC WIND SPEED IS 130 MILES PER HOUR, WIND EXPOSURE ZONE G, IS DESIGNED IN ACCORDANCE WITH AMERICAN FOREST AND PAPER ASSOCIATION (AF&PA) WOOD FRAME CONSTRUCTION MANUAL FOR ONE AND TWO FAMILY DWELLINGS (WFCM) 2001 EDITION AS WELL AS THE INTERNATIONAL RESIDENTIAL CODE (IRC) 2012 EDITION.



**BSECTION**  
SCALE: 1/2"=1'-0"



**ASECTION**  
SCALE: 1/2"=1'-0"

**DAMMON ENGINEERING, INC.**  
 LOUISIANA & MISSISSIPPI  
 Chief Engineer: Brian A. Mistich, PE  
 554 Old Spanish Trail  
 Slidell, LA 70468  
 www.dammonengineering.com  
 info@dammonengineering.com  
 PH: 985.649.9832

#	DESCRIPTION	DATE

SEAL:

NEW BUILDING  
**PINEDOND VENUE**  
 405 COUNTRY CLUB BLVD.  
 SLIDELL, LA, 70459  
 JOB No: 22241 DATE: 01-30-18  
 DRAWN BY: C&D CHECKED BY: BAW

SHEET TITLE:  
FRAMING PLAN

DRAWING NUMBER:  
**S101**  
 SHEET No: 1 of 2