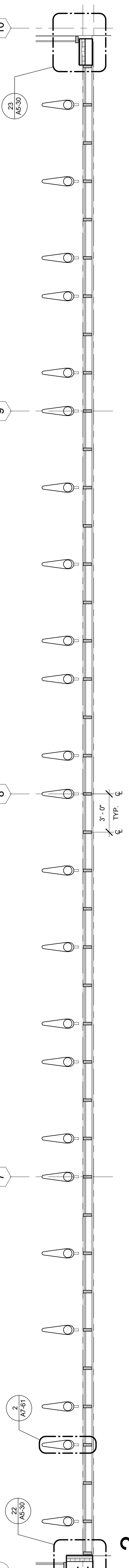
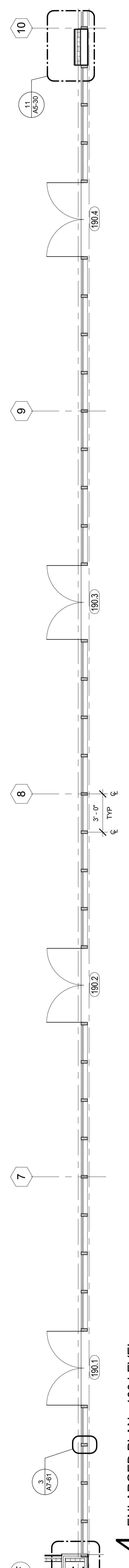




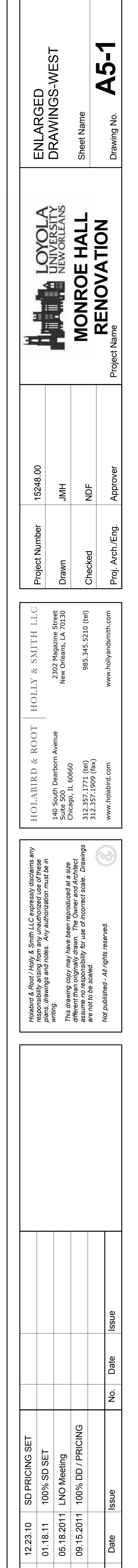
2 ENLARGED ELEVATION
A5-1 1/4" = 1'-0"



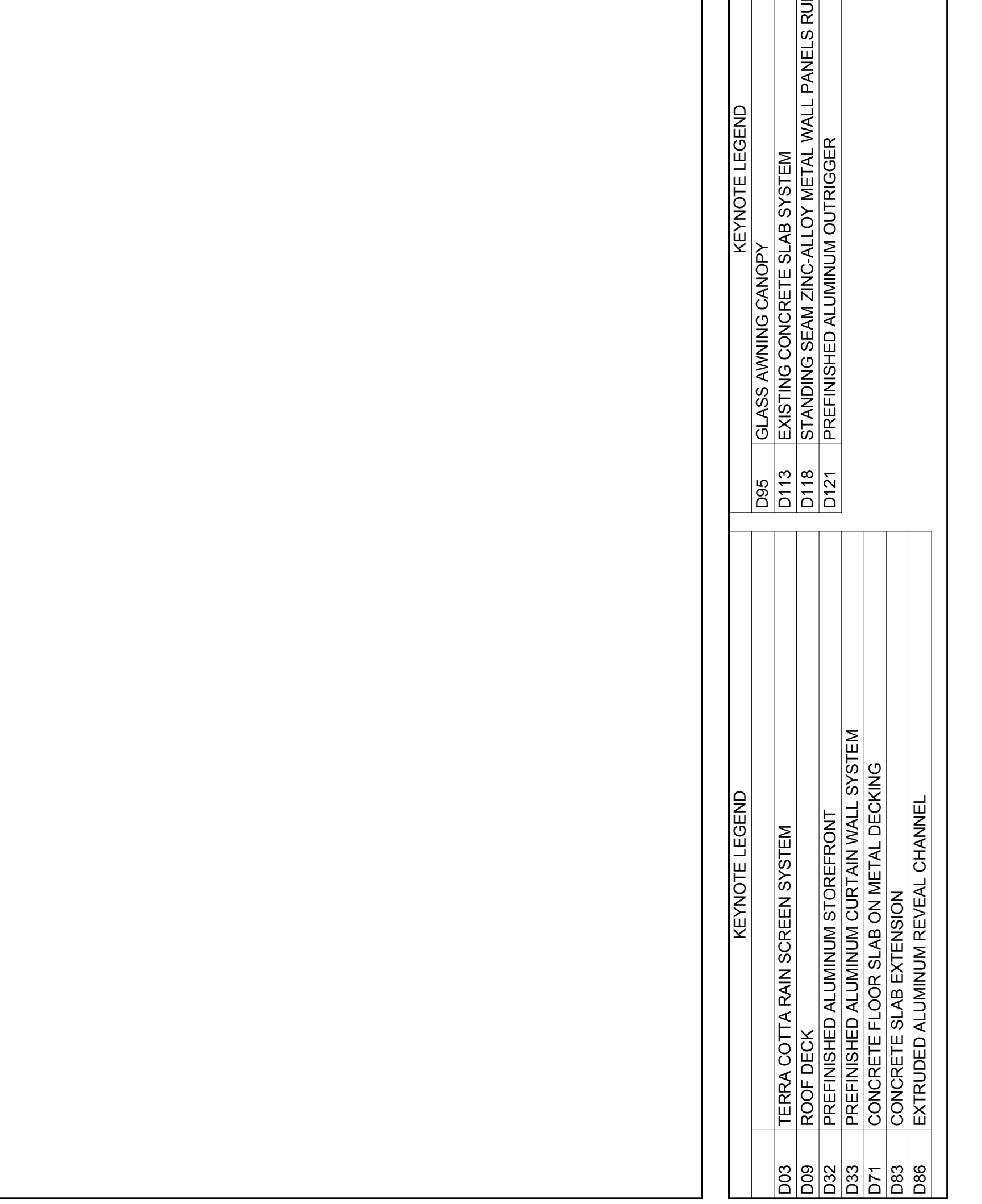
3 ENLARGED PLAN - 200-700 LEVEL
A5-1 1/4" = 1'-0"



4 ENLARGED PLAN - 100 LEVEL
A5-1 1/4" = 1'-0"



1 WALL SECTION
A5-1 1/4" = 1'-0"



KEYNOTE LEGEND	
D03	TERRA COTTA RAIN SCREEN SYSTEM
D09	ROOF DECK
D10	ALUMINUM STAYS/POSTS
D13	PREFINISHED ALUMINUM CURTAIN WALL SYSTEM
D33	CONCRETE FLOOR SLAB ON METAL DECKING
D71	CONCRETE SLAB EXTENSION
D83	EXTRUDED ALUMINUM REVEAL CHANNEL
D86	GLASS AWNING CANOPY
D113	EXISTING CONCRETE SLAB SYSTEM
D118	STANDING SEAM ZINC-ALLOY METAL WALL PANELS RUN HORIZONTALLY
D121	PREFINISHED ALUMINUM OUTRIGGER

No.	Date	Issue
1	12.23.10	SD PRICING SET
2	01.18.11	100% SD SET
3	05.18.2011	100% Meeting
4	09.15.2011	100% DD PRICING

No.	Date	Issue

Hobasid & Holly & Smith, LLC expressly disclaims any liability for errors or omissions in this drawing. The user of this drawing shall be responsible for the accuracy of the information contained herein. The user of this drawing shall be responsible for the accuracy of the information contained herein. The user of this drawing shall be responsible for the accuracy of the information contained herein.

HOLABIRD & ROOT
248 South Dearborn Avenue
Chicago, IL 60660
312.337.1772 (HQ)
312.337.1769 (FA)
www.holabird.com

HOLLY & SMITH, LLC
2002 Superior Street
Chicago, IL 60604
985.341.5210 (HQ)
www.hollysmith.com

ENLARGED DRAWINGS-WEST
Project Number: 15248.00
Drawn: JMH
Checked: NDF
Project Name: MONROE HALL RENOVATION
Project Number: 15248.00
Drawn: JMH
Checked: NDF
Project Name: MONROE HALL RENOVATION
Project Number: 15248.00
Drawn: JMH
Checked: NDF
Project Name: MONROE HALL RENOVATION

Sheet Name: A5-1
Drawing No. A5-1