

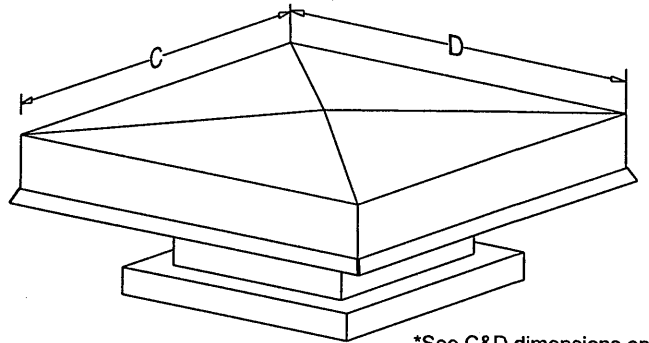


(ENGINEERS)
SUBMITTAL DATA

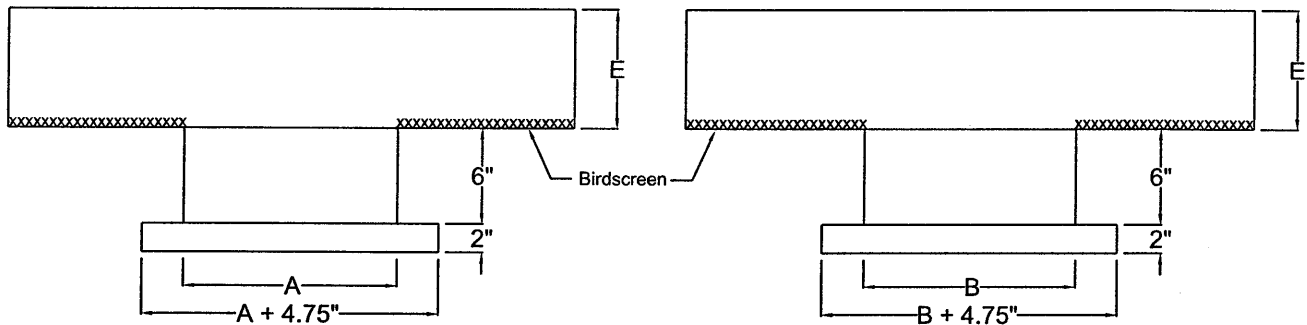
Ventilator Hoods

STANDARD SPECIFICATIONS

- HOOD: 16 ga. (.052") Mill Finish Aluminum
- BASE SECTION: 13 ga. (.090") Mill Finish Aluminum
- BIRDSCREEN: 1/2" x 1" (.051") Flattened Aluminum (2B)
- FINISH: Standard Mill
- MINIMUM SIZE: 12" x 12"
- MAXIMUM SIZE: 60" x 120"
- FRAMING: Under 12 Square Feet Hood Area:
1-1/2" x 1-1/2" x .125" 6063-T6 Extruded Aluminum Angle - All Welded
- 12 Sq. Ft. through 40 Sq. Ft.:
1-1/2" x 1-1/2" x .25" 6063-T6 Extruded Aluminum Angle - All Welded



*See C&D dimensions on following pages



*These drawings are for dimensional purposes and may not represent actual construction.

Options

- Insulated Internal Hood
 - Anti-Condensate Coating
 - 1" Fiberglass Insulation
- Hinged Lid (MAX 60" x 60" Throat)
- Insect Screen
- Roof Pitched - ()/12"
- Galvanized Steel Construction
- 304 Stainless Steel Construction
- Powder Coating
 - Polyester
 - Fluoropolymer 70%
- Dampers - Backdraft or Motor Operated
- Filter Racks
- Heavier Construction
- Additional Throat Height
- Hood Tie Downs (125 mph wind)

** See Curb Cut Sheet to Follow

Tag	Qty.	A	B	Hood-Throat Ratio	Options
	1	59	59	2:1	with Curb
INTAKE VENT: APPROXIMATELY 680 LBS					

Job Name:	Pinnacle Casino	<input type="checkbox"/> MODEL GEV (Exhaust)	<input checked="" type="checkbox"/> MODEL GIV (Intake)	
Location:		<input type="checkbox"/> 1:1 Ratio (100%)	<input checked="" type="checkbox"/> 1.75:1 Ratio (175%)	
Architect:		<input type="checkbox"/> 1:5 Ratio (150%)	<input checked="" type="checkbox"/> 2:1 Ratio (200%)	
Engineer:		DRAWN BY:	DATE:	REV. DATE:
Contractor:	Mechanical Construction	SRB	12-03-99	8-31-09
		REV. NO.	APPROVED BY:	DWG. NO.:
		17	SDC	F-6



(ENGINEERS)

SUBMITTAL DATA

Conventional Roof Curb

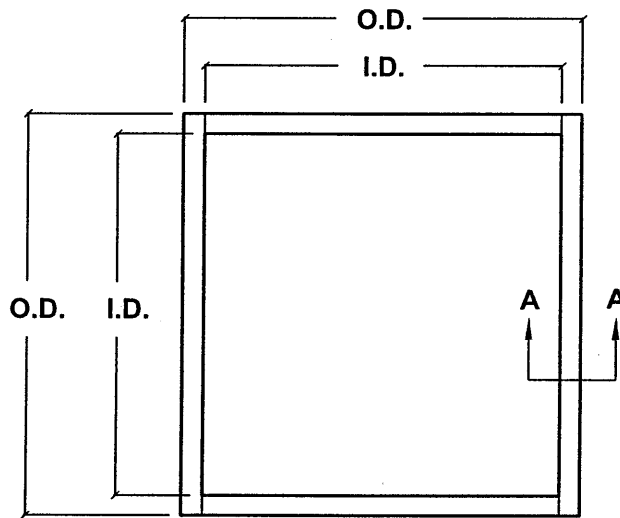
Model: UCC-2
Conventional Roof Curb

Additional Options:

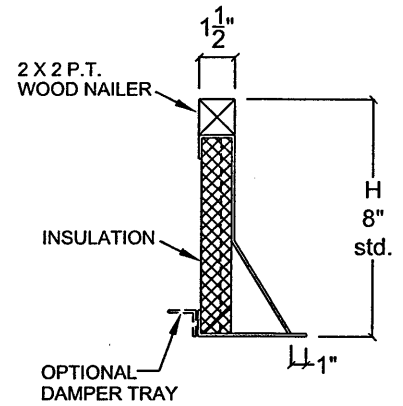
- 1.
- 2.
- 3.
- 4.

Standard Construction:

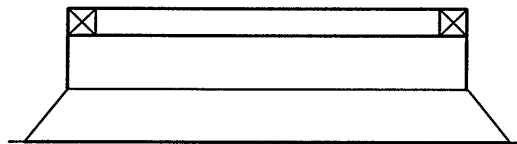
One-piece curb with 18 ga. Galvanized steel shell and baseplate; 8" minimum height, 2 x 2 pressure treated wood nailer, insulated, internal angle reinforcing with welded corners, 1" mounting flange. For non-insulated roof decks.



PLAN



SECTION "A-A"
UCC-2



ELEVATION

Qty.	I.D.	O.D.	H	Roof Slope	Tag- Description
1		62.25x 62.25	12"	—	
DRAWN BY: CLJ	DATE: 8-3-06	REV. NO. 4	REV. DATE: 01-07-09	APPROVED BY: CBY	DWG. NO.: F-13 001 221310 0 7 317



Fan Tag: EF F1
 Job Name: Pinnacle Casino - Support Bldg
 Job ID: 030211
 Date: March 2, 2011
 Page: Page 1 of 10



BCRD - Centrifugal Roof Exhauster, Downblast, Belt Driven

CONSTRUCTION FEATURES

- Backwardly curved, non-overloading wheel.
- Wheel, motor, and drive assembly are isolated from the fan supports by rubber isolators.
- Top cap provides quick access to the wheel, motor, and drive assembly.
- Re-greaseable pillow block ball bearings provide an average life of 500,000 hours.
- Curb cap/venturi assembly with welded corners.
- Entire fan assembly is balanced and tested.
- Galvanized birdscreen.
- Disconnect switch.

FAN DESCRIPTION

Qty	Type	Size	Wt (lb.)
1	BCRD	085D	120

Approximate weight each, includes fan, motor and accessories.

FAN PERFORMANCE

CFM	SP (in.wg)	RPM	Oper. BHP
700	0.625	1891	0.14

Temperature: 70°F, Altitude: 0ft

MOTOR DATA

HP	RPM	Volt/Ph/Hz	Encl
1/4	1750	115/1/60	ODP

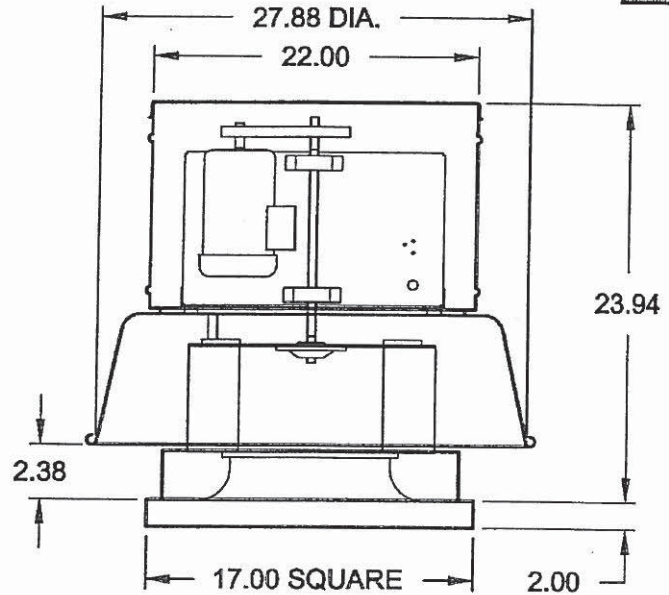
Efficiency: Standard/EPACT

SOUND DATA

Octave Bands	1	2	3	4	5	6	7	8	LwA	dBA	Sones
Level at Inlet	66	70	70	69	73	70	57	54	76	62	11.6

LwA: The overall (single value) fan sound power level in dB re. 10⁻¹² Watts, 'A' weighted.

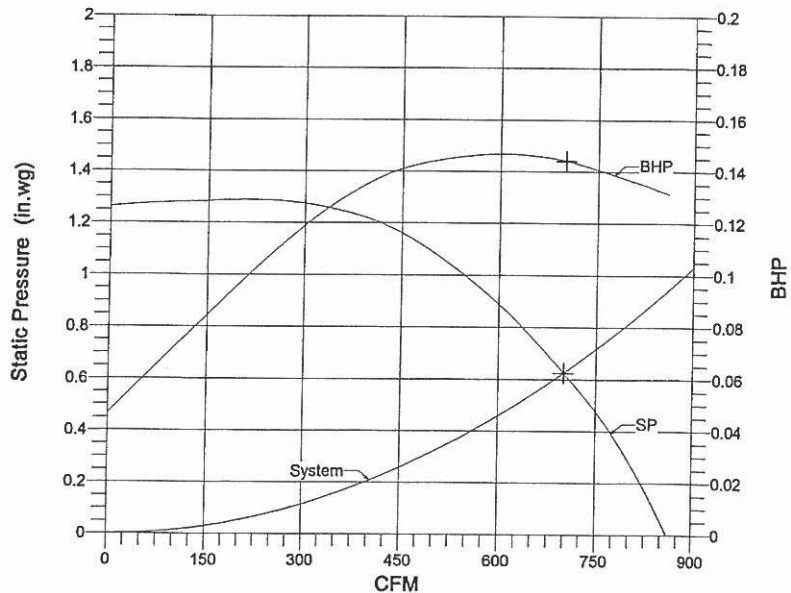
dBA: Estimated sound pressure level (re:0.0002 microbar) based on a single ducted installation at 5 ft., using a directivity factor of 1.



ROOF OPENING	10.50 X 10.50
DAMPER SIZE	10.00 X 10.00

ACCESSORIES INCLUDED

- Birdscreen - Galvanized
- Backdraft Damper
- Tie Down Brackets
- Roof Curb, Canted, Galv. w/ Insulation 18" H
- Disc Switch-Unfused (NEMA 1), Shipped Loose
- Fan Shaft Bearings are Lubricated and Permanently Sealed

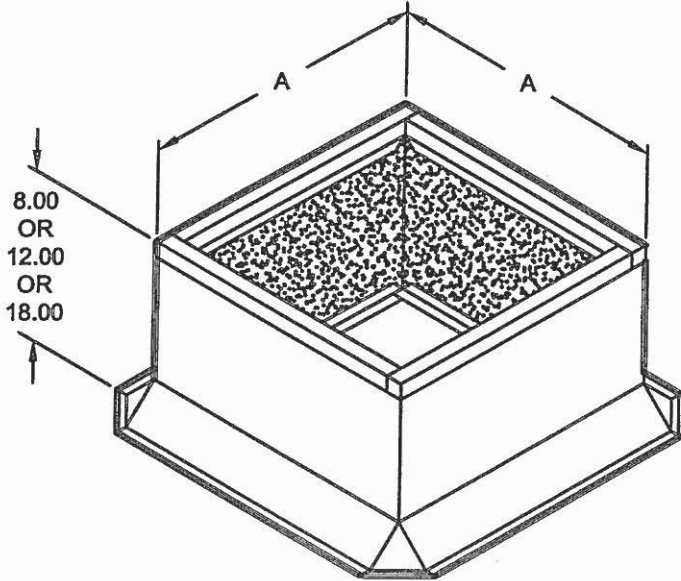




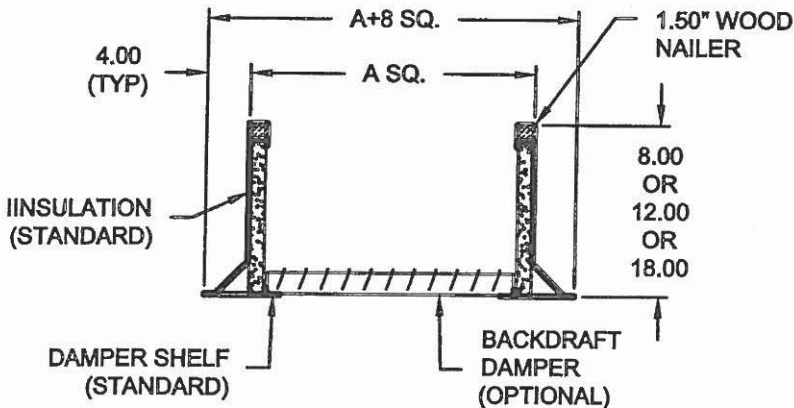
Fan Tag: EF F1
 Job Name: Pinnacle Casino - Support Bldg
 Job ID: 030211
 Date: March 2, 2011
 Page: Page 3 of 10

Roof Curb, Canted, Galv. w/ Insulation 18" H

Fan Size: 085D



FAN SIZE	A SQ.
070	15.50 X 15.50
075	15.50 X 15.50
085	15.50 X 15.50
100	18.50 X 18.50
120	18.50 X 18.50
140	22.50 X 22.50
160	24.50 X 24.50
180	28.50 X 28.50
210	28.50 X 28.50
240	32.50 X 32.50
300	38.50 X 38.50
360	44.50 X 44.50
420	50.50 X 50.50
480	56.50 X 56.50



FEATURES

- 18 GAUGE GALVANIZED STEEL CONSTRUCTION.
- .063 INCH THICK ALUMINUM CONSTRUCTION.
- ALL WELDED WATERTIGHT CONSTRUCTION.
- WOOD NAILER STRIPS ARE STANDARD.
- DAMPER SHELF.
- LARGE 3" BUILT-IN 45° CANT TO ACCOMMODATE ROOFING MATERIAL TO TOP OF CURB. CANT IS BEVELED AT CORNERS FOR BETTER LAY OF ROOFING MATERIAL.
- LINED WITH 1.50" GLASS FIBER FIRE-RESISTANT, SOUND-ABSORBING INSULATION.

NOTES:

1. INSIDE OF CURB IS 3" LESS THAN DIMENSION "A".
2. CURBS ARE SIZED 1.50" LESS THAN FAN BASE (CAP) TO ALLOW .75" EACH SIDE FOR FLASHING MATERIAL AND CLEARANCE.
3. WHEN USING A MOTOR OPERATED DAMPER IN THE CURB, A 12" HIGH (MINIMUM) CURB IS REQUIRED.
4. ALL DIMENSIONS ±1/8".



Fan Tag: EF F2
 Job Name: Pinnacle Casino - Support Bldg
 Job ID: 030211
 Date: March 2, 2011
 Page: Page 4 of 10



BCRD - Centrifugal Roof Exhauster, Downblast, Belt Driven

CONSTRUCTION FEATURES

- Backwardly curved, non-overloading wheel.
- Wheel, motor, and drive assembly are isolated from the fan supports by rubber isolators.
- Top cap provides quick access to the wheel, motor, and drive assembly.
- Re-greaseable pillow block ball bearings provide an average life of 500,000 hours.
- Curb cap/venturi assembly with welded corners.
- Entire fan assembly is balanced and tested.
- Galvanized birdscreen.
- Disconnect switch.

FAN DESCRIPTION

Qty	Type	Size	Wt (lb.)
1	BCRD	120D	165

Approximate weight each, includes fan, motor and accessories.

FAN PERFORMANCE

CFM	SP (in.wg)	RPM	Oper. BHP
1,250	0.625	1280	0.25

Temperature: 70°F, Altitude: 0ft

MOTOR DATA

HP	RPM	Volt/Ph/Hz	Encl
1/3	1750	115/1/60	ODP

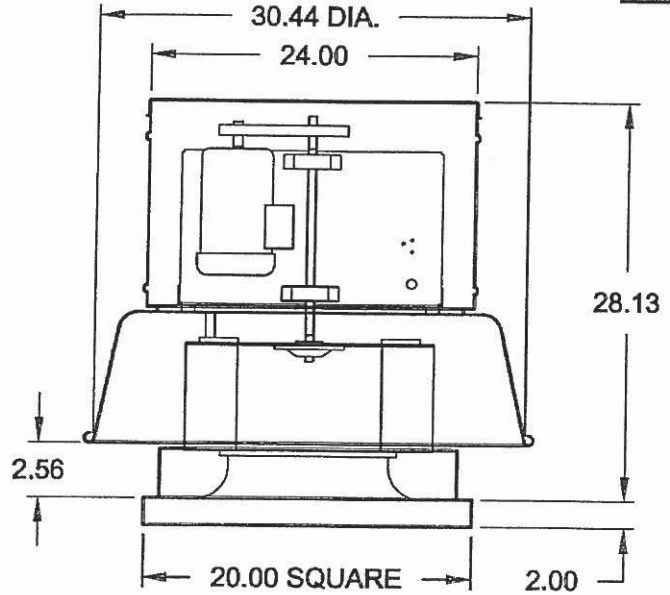
Efficiency: Standard/EPACT

SOUND DATA

Octave Bands	1	2	3	4	5	6	7	8	LwA	dBA	Sones
Level at Inlet	68	70	74	74	70	64	59	52	75	61	11.2

LwA: The overall (single value) fan sound power level in dB re. 10⁻¹² Watts, 'A' weighted.

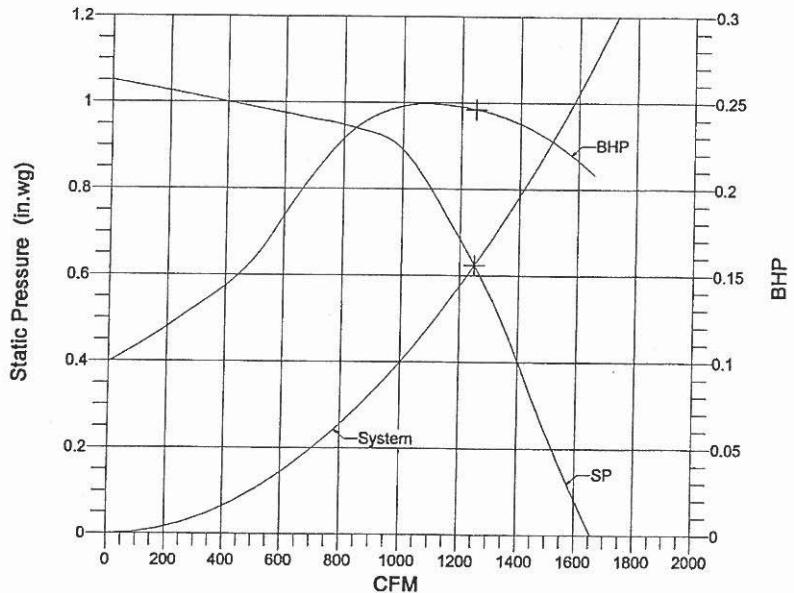
dBA: Estimated sound pressure level (re:0.0002 microbar) based on a single ducted installation at 5 ft., using a directivity factor of 1.



ROOF OPENING	14.50 X 14.50
DAMPER SIZE	14.00 X 14.00

ACCESSORIES INCLUDED

- Birdscreen - Galvanized
- Backdraft Damper
- Tie Down Brackets
- Roof Curb, Canted, Galv. w/ Insulation 18" H
- Disc Switch-Unfused (NEMA 1), Shipped Loose
- Fan Shaft Bearings to be Lubricated and Permanently Sealed

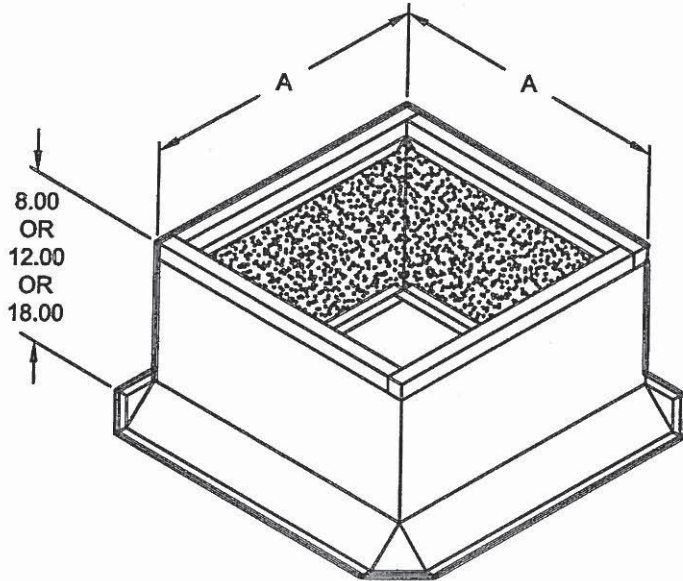




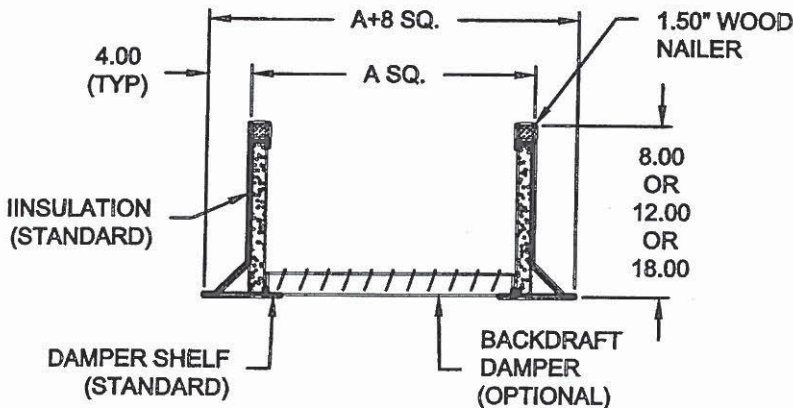
Fan Tag: EF F2
 Job Name: Pinnacle Casino - Support Bldg
 Job ID: 030211
 Date: March 2, 2011
 Page: Page 6 of 10

Roof Curb, Canted, Galv. w/ Insulation 18" H

Fan Size: 120D



FAN SIZE	A SQ.
070	15.50 X 15.50
075	15.50 X 15.50
085	15.50 X 15.50
100	18.50 X 18.50
120	18.50 X 18.50
140	22.50 X 22.50
160	24.50 X 24.50
180	28.50 X 28.50
210	28.50 X 28.50
240	32.50 X 32.50
300	38.50 X 38.50
360	44.50 X 44.50
420	50.50 X 50.50
480	56.50 X 56.50



NOTES:

- INSIDE OF CURB IS 3" LESS THAN DIMENSION "A".
- CURBS ARE SIZED 1.50" LESS THAN FAN BASE (CAP) TO ALLOW .75" EACH SIDE FOR FLASHING MATERIAL AND CLEARANCE.
- WHEN USING A MOTOR OPERATED DAMPER IN THE CURB, A 12" HIGH (MINIMUM) CURB IS REQUIRED.
- ALL DIMENSIONS $\pm 1/8"$.

FEATURES

- 18 GAUGE GALVANIZED STEEL CONSTRUCTION.
- .063 INCH THICK ALUMINUM CONSTRUCTION.
- ALL WELDED WATERTIGHT CONSTRUCTION.
- WOOD NAILER STRIPS ARE STANDARD.
- DAMPER SHELF.
- LARGE 3" BUILT-IN 45° CANT TO ACCOMMODATE ROOFING MATERIAL TO TOP OF CURB. CANT IS BEVELED AT CORNERS FOR BETTER LAY OF ROOFING MATERIAL.
- LINED WITH 1.50" GLASS FIBER FIRE-RESISTANT, SOUND-ABSORBING INSULATION.



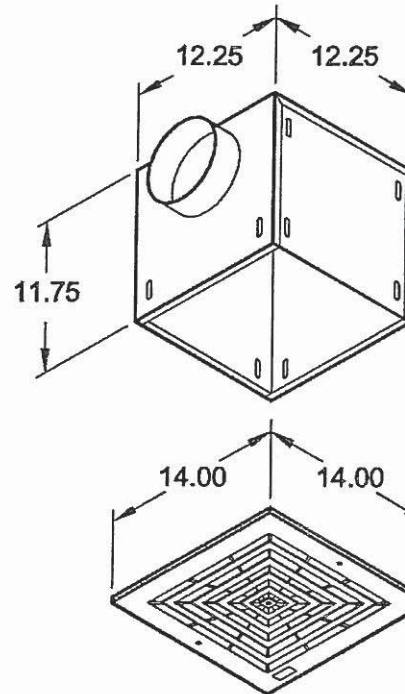
Fan Tag: EF F3 and EF F4
 Job Name: Pinnacle Casino - Support Bldg
 Job ID: 030211
 Date: March 2, 2011
 Page: Page 7 of 10



T - Ceiling Ventilator

CONSTRUCTION FEATURES

- Horizontal or vertical installations.
- Low profile white grille conceals interior and blends with any decor.
- Low RPM centrifugal blower wheel.
- Resilient anti-vibration mounts.
- Designed for continuous operation.
- Dynamically balanced centrifugal blower wheel.
- Permanently lubricated, thermally protected motor.



FAN DESCRIPTION

Qty	Type	Size	Wt (lb.)
2	T	150V	23

Approximate weight each, includes fan, motor and accessories.

FAN PERFORMANCE

CFM	SP (in.wg)	RPM	Oper. BHP
100	0.25	553	0.05

Temperature: 70°F, Altitude: 0ft

MOTOR DATA

HP	RPM	Volt/Ph/Hz	Encl
1/6	750	115/1/60	ODP

Efficiency: Standard/EPACT

SOUND DATA

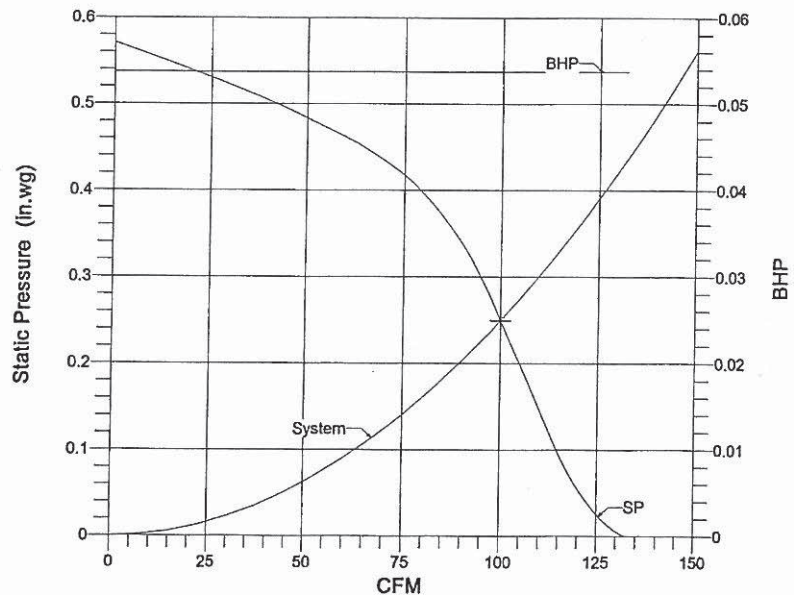
Octave Bands	1	2	3	4	5	6	7	8	LwA	dBA	Sones
Level at Inlet	53	52	48	44	40	32	26	20	46	32	1.3

LwA: The overall (single value) fan sound power level in dB re. 10⁻¹² Watts, 'A' weighted.

dBA: Estimated sound pressure level (re:0.0002 microbar) based on a single ducted installation at 5 ft., using a directivity factor of 1.

ACCESSORIES INCLUDED

- Damper Kit
- Vibration Dampening Hangers
- Unit Mounted Speed Controller, Factory Wired





Fan Tag: EF F4
 Job Name: Pinnacle Casino - Support Bldg
 Job ID: 030211
 Date: March 2, 2011
 Page: Page 8 of 10



BCRD - Centrifugal Roof Exhauster, Downblast, Belt Driven

CONSTRUCTION FEATURES

- Backwardly curved, non-overloading wheel.
- Wheel, motor, and drive assembly are isolated from the fan supports by rubber isolators.
- Top cap provides quick access to the wheel, motor, and drive assembly.
- Re-greaseable pillow block ball bearings provide an average life of 500,000 hours.
- Curb cap/venturi assembly with welded corners.
- Entire fan assembly is balanced and tested.
- Galvanized birdscreen.
- Disconnect switch.

FAN DESCRIPTION

Qty	Type	Size	Wt (lb.)
1	BCRD	085D	116

Approximate weight each, includes fan, motor and accessories.

FAN PERFORMANCE

CFM	SP (in.wg)	RPM	Oper. BHP
550	0.625	1653	0.10

Temperature: 70°F, Altitude: 0ft

MOTOR DATA

HP	RPM	Volt/Ph/Hz	Encl
1/4	1750	115/1/60	ODP

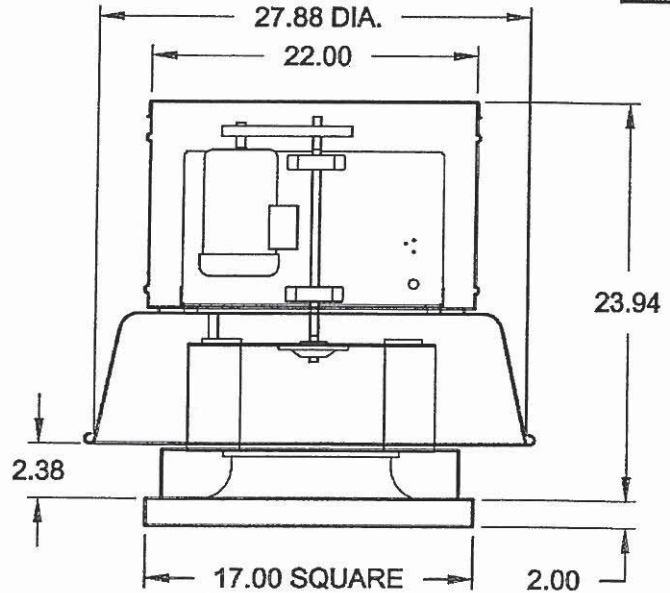
Efficiency: Standard/EPACT

SOUND DATA

Octave Bands	1	2	3	4	5	6	7	8	LwA	dBA	Sones
Level at Inlet	67	71	68	66	72	66	55	53	74	60	10.7

LwA: The overall (single value) fan sound power level in dB re. 10⁻¹² Watts, 'A' weighted.

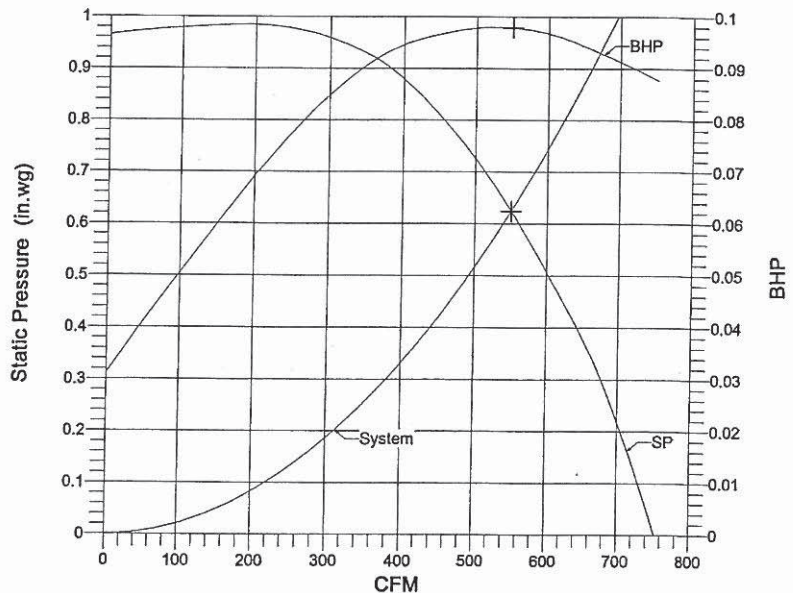
dBA: Estimated sound pressure level (re:0.0002 microbar) based on a single ducted installation at 5 ft., using a directivity factor of 1.



ROOF OPENING	10.50 X 10.50
DAMPER SIZE	10.00 X 10.00

ACCESSORIES INCLUDED

- Birdscreen - Galvanized
- Backdraft Damper
- Tie Down Brackets
- Roof Curb, Canted, Galv. w/ Insulation 12" H
- Disc Switch-Unfused (NEMA 1), Shipped Loose
- 1/4 H.P. is Minimum H.P. Available
- Fan Shaft Bearings are to be Lubricated and Fully Sealed

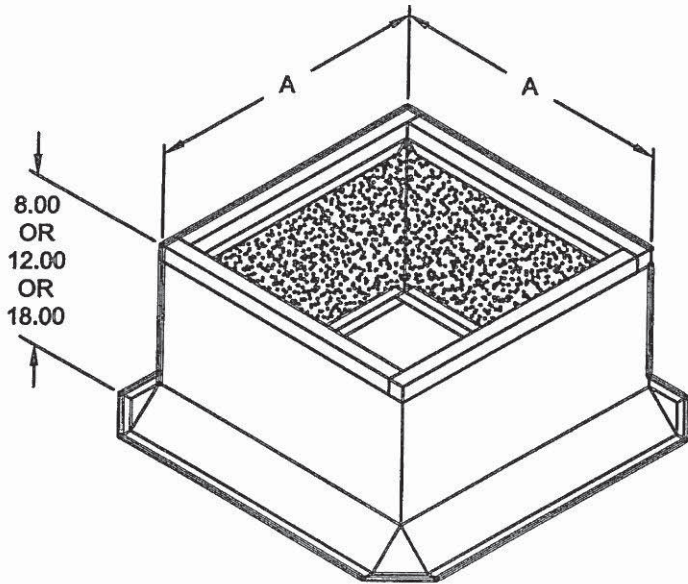




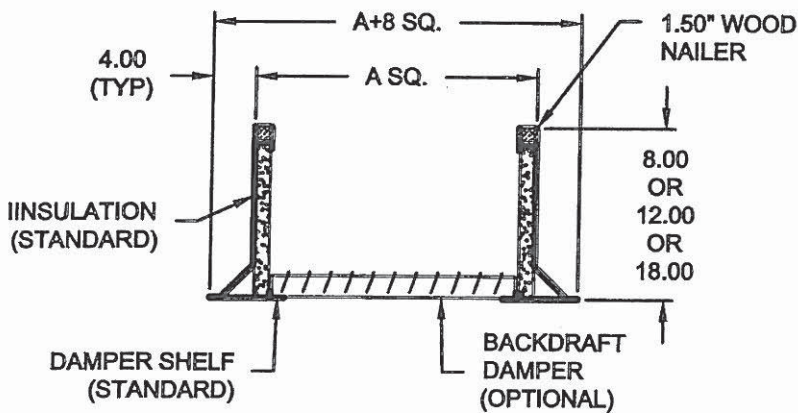
Fan Tag: EF F4
 Job Name: Pinnacle Casino - Support Bldg
 Job ID: 030211
 Date: March 2, 2011
 Page: Page 10 of 10

Roof Curb, Canted, Galv. w/ Insulation 12" H

Fan Size: 085D



FAN SIZE	A SQ.
070	15.50 X 15.50
075	15.50 X 15.50
085	15.50 X 15.50
100	18.50 X 18.50
120	18.50 X 18.50
140	22.50 X 22.50
160	24.50 X 24.50
180	28.50 X 28.50
210	28.50 X 28.50
240	32.50 X 32.50
300	38.50 X 38.50
360	44.50 X 44.50
420	50.50 X 50.50
480	56.50 X 56.50



NOTES:

- INSIDE OF CURB IS 3" LESS THAN DIMENSION "A".
- CURBS ARE SIZED 1.50" LESS THAN FAN BASE (CAP) TO ALLOW .75" EACH SIDE FOR FLASHING MATERIAL AND CLEARANCE.
- WHEN USING A MOTOR OPERATED DAMPER IN THE CURB, A 12" HIGH (MINIMUM) CURB IS REQUIRED.
- ALL DIMENSIONS $\pm 1/8"$.

FEATURES

- 18 GAUGE GALVANIZED STEEL CONSTRUCTION.
- .063 INCH THICK ALUMINUM CONSTRUCTION.
- ALL WELDED WATERTIGHT CONSTRUCTION.
- WOOD NAILER STRIPS ARE STANDARD.
- DAMPER SHELF.
- LARGE 3" BUILT-IN 45° CANT TO ACCOMMODATE ROOFING MATERIAL TO TOP OF CURB. CANT IS BEVELED AT CORNERS FOR BETTER LAY OF ROOFING MATERIAL.
- LINED WITH 1.50" GLASS FIBER FIRE-RESISTANT, SOUND-ABSORBING INSULATION.