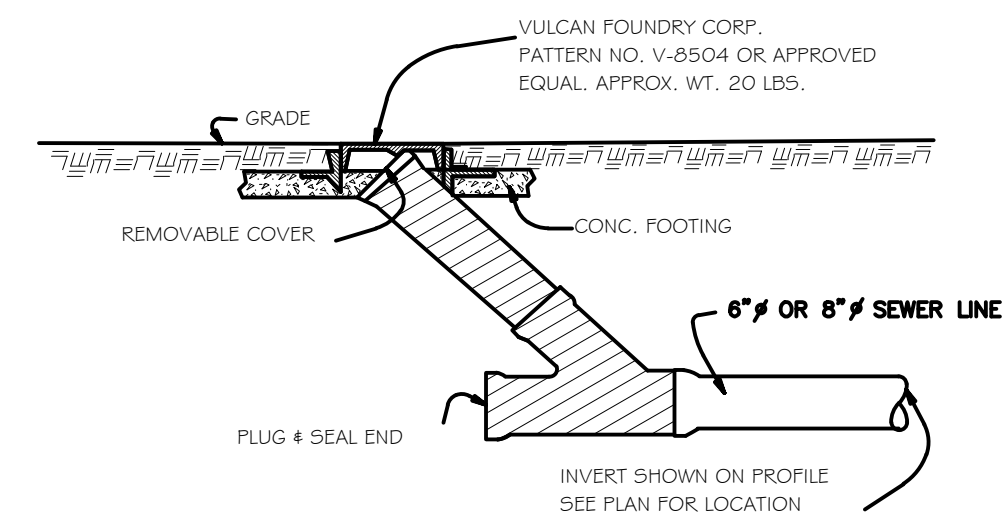


NOTE: A MINIMUM 10' HORZ. AND 18" VERT. SEPARATION (WITH WATER MAIN ON TOP) IS REQUIRED BETWEEN WATER AND SEWER LINES.

SEWER PIPE MAIN BEDDING DETAIL
SCALE: N.T.S.



CLEANOUT DETAIL
SCALE: N.T.S.

- Water cross
- Sewer 6" col
- 6" cle
- 6" Gra with f
- Pipe a
- ASTM
- recon
- PVC fi
- attach
- All P/c
- as shc
- All M/c
- All p/c
- Interi
-

SITE UTILITIES NOTES

- MINIMUM PIPE BURIAL TO BE 36 INCHES.
- SEWER PIPE TO BE 6" SDR35 PVC, U.O.N..
- 6" CLEANOUTS EVERY 80 FEET, STARTING FROM HIGHEST END.

GENERAL NOTES

- PROVIDE ALL LABOR, MATERIALS AND EQUIPMENT FOR A COMPLETE OPERATING SYSTEM.
- ALL WORK AND MATERIAL SHALL CONFORM STRICTLY TO THE LATEST LOCAL, CITY, COUNTY, STATE AND NATIONAL GOVERNING CODES.
- CONTRACTOR IS TO VERIFY ALL EXISTING UTILITY LOCATIONS, ELEVATIONS, AND SIZES PRIOR TO COMMENCING ANY WORK. CONTRACTOR SHALL PAY NECESSARY FEES FOR THE UTILITIES CONNECTIONS.
- CONTRACTOR IS RESPONSIBLE TO SET NEW INVERTS OF SEWERAGE PIPES.
- 4-INCH SEWER LINES SHALL BE SLOPED 1/8" PER FOOT.
- TEST ALL PIPING AT REQUIRED PRESSURE.
- ALL PLUMBING SHALL BE CLOSELY COORDINATED WITH WATER SYSTEM.
- ALL SEWER LINES SHOWN ARE DIAGRAMMATIC.
- MINIMUM PIPE MAIN BURIAL SHALL BE 3'-0".
- OWNER SHALL IDENTIFY TRAILER SPACING FOR CONTRACTOR TO LAYOUT SEWER WORK.

SITE UTILITIES LEGEND

- s- NEW SEWER LINE
- Z BACKFLOW PREVENTER
- C.O. CLEANOUT
- WASTEWATER PUMP
- SEWERAGE TREATMENT PLANT

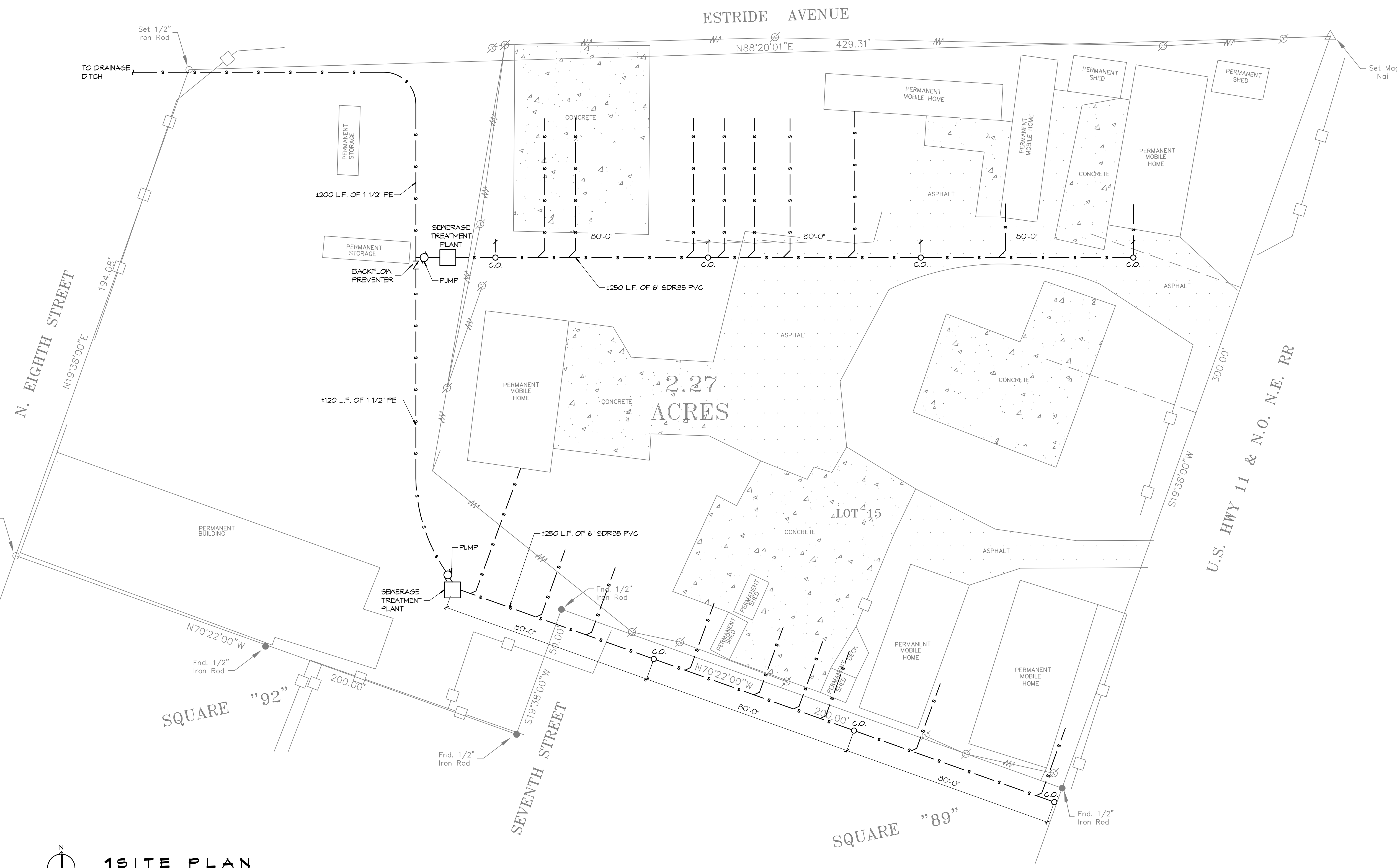
DAMMON ENGINEERING, INC.
LOUISIANA & MISSISSIPPI

Chief Engineer: Brian Mistrich, PE
554 Old Spanish Trail
Slidell, LA 70568
PH: 985.649.5832 F: 985.641.5950
www.dammonengineering.com
info@dammonengineering.com

| # | DESCRIPTION | DATE |
|---|-------------|------|
| | | |
| | | |
| | | |
| | | |

SEAL:

PRELIMINARY NOT FOR CONSTRUCTION



1 SITE PLAN
SCALE: 1" = 20'

GUS MITCHELL SQUARE 89 & 92

ALTON ST. PARISH, LOUISIANA
DATE: FEBRUARY, 2016
DRAWN BY: MPM
CHECKED BY: CKD

SHEET TITLE:
SEWER LAYOUT

DRAWING NUMBER:
C-1

SHEET No: 00 of 1