

**THE SAENGER  
THEATRE RENEWAL  
PROJECT**

142 North Rampart Street  
New Orleans, LA

Client  
Saenger Theatre Redevelopment Company  
200 West Loop South, Suite  
1040 Houston TX 77027

Architect  
**MARTINEZ+JOHNSON**  
ARCHITECTURE

1412 Eye St., NW  
Washington, DC 20005  
202.333.4480

Structural Engineer  
Shawn J. Franke, P.E.  
549 Heimer Road San  
Antonio TX 78232  
210.979.7900

Theatre Consultant  
Schuler Shook  
123 Third Street North #210  
Minneapolis, MN 55401  
612.333.5550

Acoustical Engineer  
Akustiks  
93 North Main Street South  
Norwalk, CT 06584  
202.299.1904

MEP Engineer  
JBA Consulting Engineers, Inc.  
3525 N. Causeway Blvd. Suite  
500 Metairie, LA 70002  
504.830.0139

Civil Engineer  
Linfield, Hunter, & Junius, Inc.  
3608 18th Street Suite 200  
Metairie, LA 70002  
504.333.5330

Architectural Historian  
EHT Traceries, Inc.  
1121 Fifth Street NW  
Washington, DC 20001  
202.393.1199

THESE DRAWINGS, SPECIFICATIONS, AND OTHER DOCUMENTS, COLLECTIVELY, THE "DOCUMENTS", INCLUDING WITHOUT LIMITATION ELECTRONIC VERSIONS THEREOF AND THE IDEAS, DESIGNS, AND ARRANGEMENTS REPRESENTED THEREBY, ARE AND SHALL REMAIN THE PROPERTY OF MARTINEZ & JOHNSON ARCHITECTURE, P.C. AS DEFINED BY APPLICABLE CONTRACTUAL AGREEMENTS ("THE AGREEMENTS") AND AS PROTECTED BY THE COPYRIGHT STATUTES OF THE UNITED STATES. USE OF THE DOCUMENTS SHALL BE STRICTLY LIMITED TO THE PROJECT FOR WHICH THEY WERE PREPARED AND DEVELOPED ("THE PROJECT") PER THE TERMS OF THE AGREEMENTS. NO PART OF THE DOCUMENTS SHALL BE COPIED, DISCLOSED TO OTHERS, OR USED IN CONNECTION WITH ANY OTHER WORK OR PROJECT, OR BY ANY OTHER PERSONS FOR ANY PURPOSES, OTHER THAN THE COMPLETION OF THE PROJECT, WITHOUT THE SPECIFIC WRITTEN AUTHORIZATION OF MARTINEZ & JOHNSON ARCHITECTURE, P.C. THE DOORING, OPENING, OR VIEWING OF ELECTRONIC VERSIONS OF THE DOCUMENTS OR VISUAL CONTACT WITH ANY PRINTED FORM THEREOF SHALL CONSTITUTE CONCLUSIVE EVIDENCE OF ACCEPTANCE OF THESE RESTRICTIONS.

7502

DATE: No.: ISSUE:

02.19.10	1	PERMIT SET
04.02.10	2	GMP CONTRACT SET

DATE: No.: REVISION:

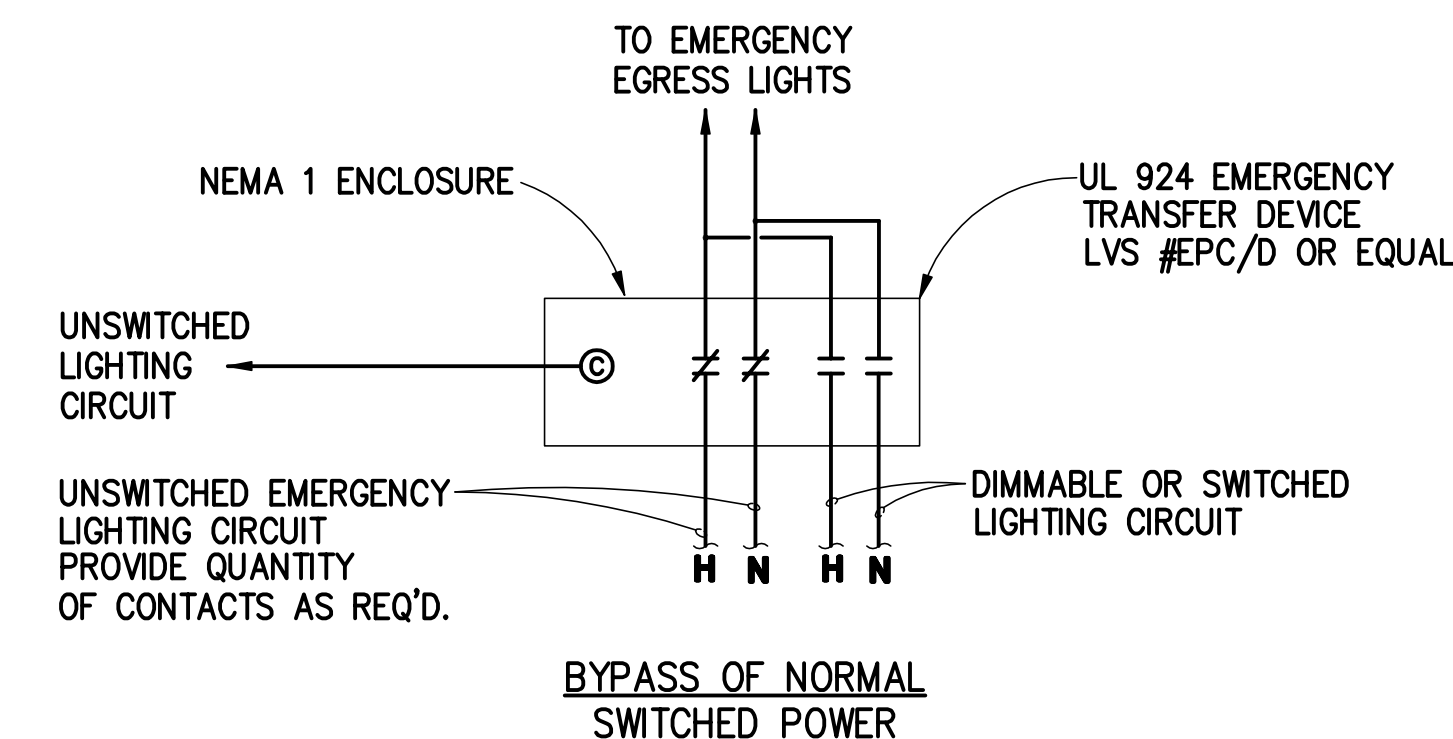
11.11.10		CONTRACT SET
----------	--	--------------

SHEET TITLE:  
SHEET INDEX AND  
LIGHTING FIXTURE  
SCHEDULE

**E0.00**

**SHEET INDEX**

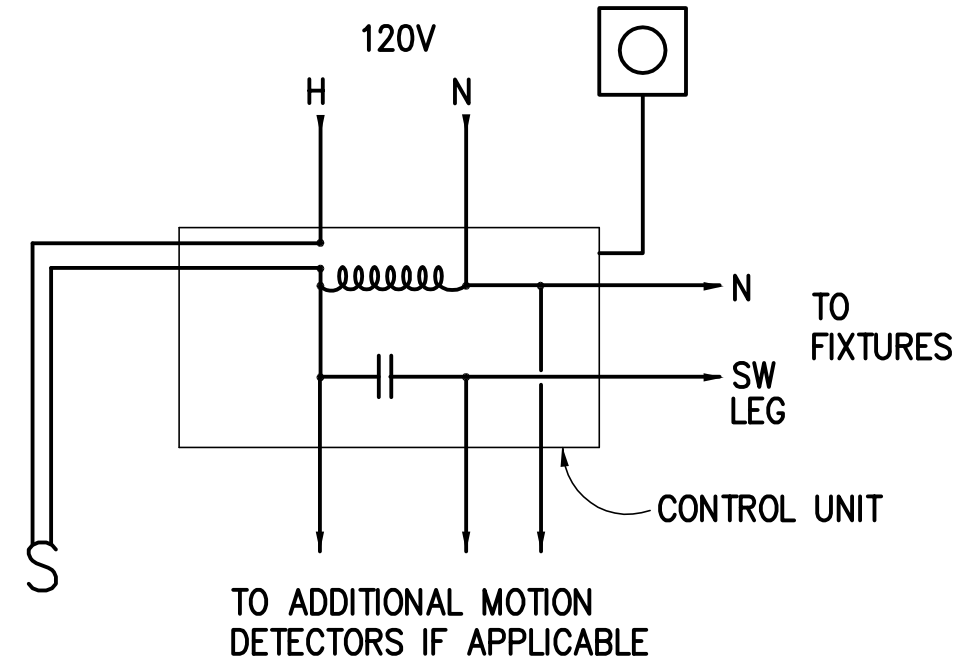
ISSUE	SHEET NUMBER	SHEET DESCRIPTION	ISSUE	SHEET NUMBER	SHEET DESCRIPTION
11-NOV-2010-CONTRACT SET	E-0.00	SHEET INDEX & LIGHTING FIXTURE SCHEDULE	11-NOV-2010-CONTRACT SET	E-2.00	THEATER - BASEMENT LEVEL POWER PLAN
16-JUN-2010-PERMIT REVISION	E-0.01	SYMBOL LIST	16-JUN-2010-PERMIT REVISION	E-2.01	ARCADE - ORCHESTRA LEVEL POWER PLAN
19-FEB-2010-PERMIT SET	E-0.02	ENERGY COMPLIANCE	19-FEB-2010-PERMIT SET	E-2.02	THEATRE - ORCHESTRA LEVEL POWER PLAN
	E-0.10	OVERALL BASEMENT AND ORCHESTRA LEVEL ELECTRICAL PLAN		E-2.03	THEATRE - STAGE MEZZANINE LEVEL POWER PLAN
	E-0.20	OVERALL STAGE MEZZANINE AND LOGE LEVEL ELECTRICAL PLAN		E-2.04	ARCADE - LOGE LEVEL POWER PLAN
	E-0.30	OVERALL MIDDLE AND UPPER BALCONY ELECTRICAL PLAN		E-2.05	THEATRE - LOGE LEVEL POWER PLAN
	E-0.40	OVERALL FOLLOW SPOT ROOM LEVEL & GRIDIRON ELECTRICAL PLAN		E-2.06	ARCADE - MIDDLE BALCONY LEVEL POWER PLAN
	E-0.50	OVERALL ROOF LEVEL ELECTRICAL PLAN		E-2.07	THEATRE - MIDDLE BALCONY LEVEL POWER PLAN
	ED-1.00	THEATER - BASEMENT LEVEL DEMOLITION PLAN		E-2.08	ARCADE - UPPER BALCONY LEVEL POWER PLAN
	ED-1.01	ARCADE - ORCHESTRA LEVEL DEMOLITION PLAN		E-2.09	THEATRE - UPPER BALCONY LEVEL POWER PLAN
	ED-1.02	THEATRE - ORCHESTRA LEVEL DEMOLITION PLAN		E-2.10	THEATRE - FOLLOW SPOT ROOM LEVEL POWER PLAN
	ED-1.03	THEATRE - STAGE MEZZANINE DEMOLITION PLAN		E-2.11	THEATRE - ATTIC AND GRID IRON POWER PLAN
	ED-1.04	ARCADE - LOGE LEVEL DEMOLITION PLAN		E-2.12	ARCADE - ROOF LEVEL POWER PLAN
	ED-1.05	THEATRE - LOGE LEVEL DEMOLITION PLAN		E-2.13	THEATRE - ROOF LEVEL POWER PLAN
	ED-1.05.5	THEATRE - 3RD LEVEL DEMOLITION PLAN		ETL-1.00	THEATER - BASEMENT LEVEL THEATRICAL LIGHTING PLAN
	ED-1.06	ARCADE - MIDDLE BALCONY LEVEL DEMOLITION PLAN		ETL-1.02	THEATRE - ORCHESTRA LEVEL THEATRICAL LIGHTING PLAN
	ED-1.07	THEATRE - MIDDLE BALCONY LEVEL DEMOLITION PLAN		ETL-1.05	THEATRE - LOGE LEVEL THEATRICAL LIGHTING PLAN
	ED-1.08	ARCADE - UPPER BALCONY LEVEL DEMOLITION PLAN		ETL-1.07	THEATRE - MIDDLE BALCONY LEVEL THEATRICAL LIGHTING PLAN
	ED-1.09	THEATRE - UPPER BALCONY LEVEL DEMOLITION PLAN		ETL-1.09	THEATRE - UPPER BALCONY LEVEL THEATRICAL LIGHTING PLAN
	ED-1.10	CONTROL ROOM LEVEL DEMOLITION PLAN		ETL-1.11	THEATRE - ATTIC AND GRID IRON THEATRICAL LIGHTING PLAN
	ED-1.11	THEATRE - ATTIC AND GRIDIRON DEMOLITION PLAN		E-4.00	ENLARGED ELECTRICAL PLANS
	ED-1.12	ARCADE - ROOF DEMOLITION PLAN		E-4.01	ENLARGED ELECTRICAL PLANS
	E-1.00	THEATER - BASEMENT LEVEL LIGHTING PLAN		E-4.02	ENLARGED ELECTRICAL PLANS
	E-1.01	ARCADE - ORCHESTRA LEVEL LIGHTING PLAN		E-4.03	ENLARGED ELECTRICAL PLANS
	E-1.02	THEATRE - ORCHESTRA LEVEL LIGHTING PLAN		E-4.04	ENLARGED ELECTRICAL PLANS
	E-1.03	THEATRE - STAGE MEZZANINE LEVEL LIGHTING PLAN		E-5.00	SINGLE LINE DIAGRAM
	E-1.04	ARCADE - LOGE LEVEL LIGHTING PLAN		E-5.01	SINGLE LINE DIAGRAM
	E-1.05	THEATRE - LOGE LEVEL LIGHTING PLAN		E-5.02	SINGLE LINE DIAGRAM
	E-1.06	ARCADE - MIDDLE BALCONY LEVEL LIGHTING PLAN		E-7.00	PANEL SCHEDULES
	E-1.07	THEATRE - MIDDLE BALCONY LEVEL LIGHTING PLAN		E-7.01	PANEL SCHEDULES
	E-1.08	ARCADE - UPPER BALCONY LEVEL LIGHTING PLAN		E-7.02	PANEL SCHEDULES
	E-1.09	THEATRE - UPPER BALCONY LEVEL LIGHTING PLAN		E-7.03	PANEL SCHEDULES
	E-1.09g	THEATRE - UPPER BALCONY LEVEL STAR CEILING LIGHTING PLAN		E-7.04	PANEL SCHEDULES
	E-1.10	THEATRE - FOLLOW SPOT ROOM LEVEL LIGHTING PLAN		E-7.05	PANEL SCHEDULES
	E-1.11	THEATRE - ATTIC AND GRID IRON LIGHTING PLAN		E-7.06	PANEL SCHEDULES
				E-8.00	DIMMER SCHEDULES
				E-8.01	DIMMER SCHEDULES
				E-8.02	DIMMER SCHEDULES
				E-8.03	DIMMER SCHEDULES



**LIGHTING TRANSFER RELAY DIAGRAM** 1  
SCALE: NONE E0.00

**SYSTEM OPERATION/INSTALLATION**

- LOCATE THE SENSOR PER MANUFACTURER RECOMMENDATIONS.
- THE PIR PORTION OF THE SENSOR SHALL TURN LIGHTS ON UPON OCCUPANT ENTERING THE ROOM, THE SENSOR SHALL BE LOCATED SUCH THAT IT PICKS UP THE OCCUPANT WITHIN 5'-0" OF THE DOOR.
- ONCE ACTIVATED THE ULTRASONIC PORTION OF THE SENSOR SHALL BE ENGAGED.
- THE TIME DELAY TO OFF SHALL BE SET TO 15 MIN. EACH TIME AN OCCUPANT MOVES THE DELAY CIRCUIT SHALL BE RESET.
- AVOID LOCATING THE SENSOR NEAR HVAC DIFFUSION.
- SENSORS SHALL BE LOCATED AND ADJUSTED SUCH THAT MOVEMENT OUTSIDE THE ROOM IS NOT DETECTED.
- SENSORS SHALL BE WATTSTOPPER DT-200, MYTECH DT-2000 UNENCO OR SENSOR SWITCH CM-PDT, PROVIDE CONTROL UNIT AS REQUIRED.
- EACH SENSOR SHALL BE ADJUSTED TO THE SATISFACTION OF THE ARCHITECT.

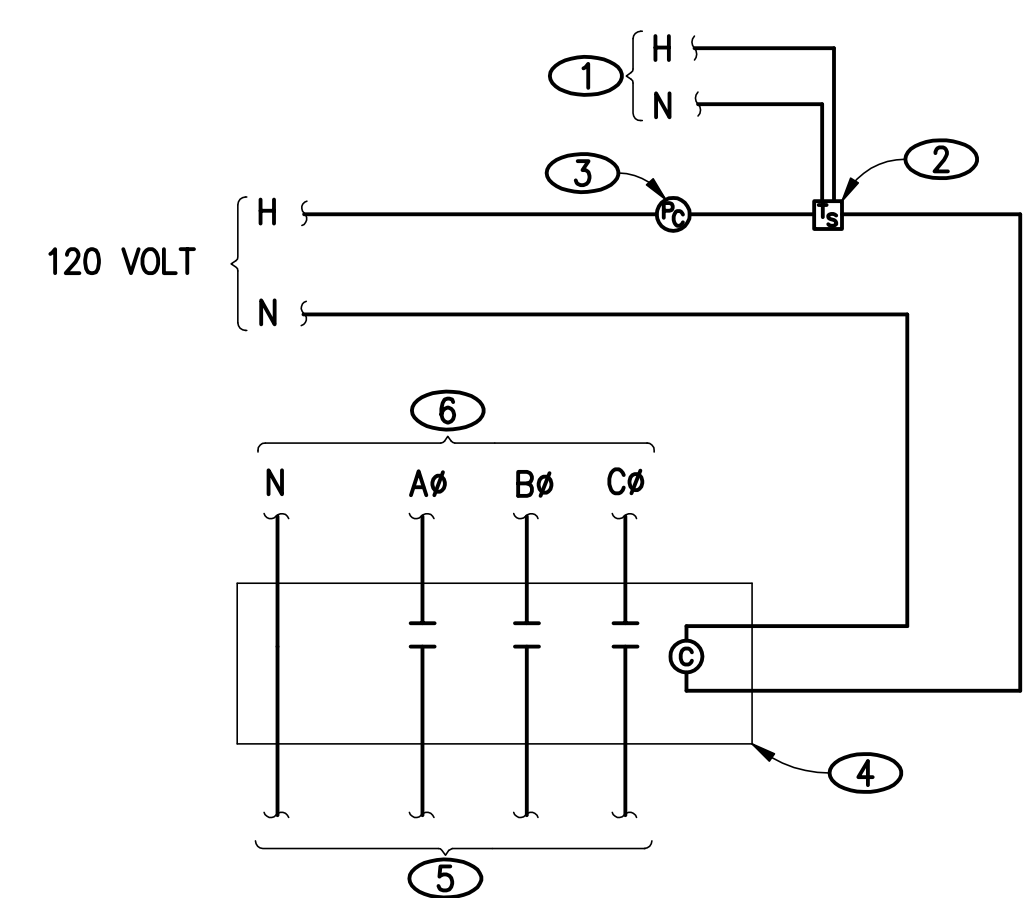


DRAWING SYMBOL = [M]

**MOTION SENSOR DIAGRAM** 2  
SCALE: NONE E0.00

**NOTES**

- 120 VOLT POWER TO TIMECLOCK.
- TIME TORK 7100 SPST 120V MOUNT ABOVE PANEL.
- PHOTOCELL TORK 2100 SERIES SPST 120V MOUNT ON ROOF FACING NORTH.
- ELECTRICALLY HELD LIGHTING CONTACTOR, SQUARE D CLASS 8903, TYPE S, WITH NEMA 1, GENERAL PURPOSE ENCLOSURE, AMPERE RATING PER DRAWINGS AND 120 VOLT PULL IN COIL. MOUNT CONTACTOR ABOVE AND ADJACENT TO PANEL BEING SERVED.
- TO CONTACTOR /TS/PC CONTROLLED PANELBOARD. LABEL PANEL "CONTACTOR CONTROLLED" ON EXTERIOR OF PANEL COVER.
- FROM SOURCE.



**EXTERIOR LIGHTING CONTACTOR DIAGRAM** 3  
SCALE: NONE E0.00

**FIXTURE SCHEDULE**

FIXT. TYPE	MANUFACTURER		VOLT AMPS	MOUNTING	LAMP TYPE	REMARKS	VOLT
	NAME	CATALOG NUMBER					
A2	LITHONIA	2SP8G 232 A12.125 MVOLT	60	RECESSED	(2) F32T8/35K	2'X4', 2 LAMP, LENSED FLUORESCENT GRID FIXTURE	MVOLT
A3	LITHONIA	2SP8G 332 A12.125 MVOLT	90	RECESSED	(3) F32T8/35K	2'X4', 3 LAMP, LENSED FLORESCENT GRID FIXTURE	MVOLT
A4	LITHONIA	2SP8G 332 A12.125 MVOLT	90	RECESSED	(3) F32T8/35K	2'X4', 3 LAMP, LENSED FLUORESCENT GRID FIXTURE W/ DIMMING BALLAST	MVOLT
B	LITHONIA	2SP8F 332 A12.125 MVOLT	90	RECESSED	(3) F32T8/35K	2'X4', 3 LAMP, LENSED FLUORESCENT FLANGED FIXTURE	MVOLT
C	LITHONIA	C 232 WCGUN MVOLT	60	SURFACE/SUSPENDE	(2) F32T8/35K	4'-0", 2 LAMP, STRIP FIXTURE W/WIREGUARD	MVOLT
D	LITHONIA	LB 232 MVOLT	60	SURFACE/SUSPENDE	(2) F32T8/35K	4'-0", 2 LAMP, WRAPAROUND	MVOLT
E	LITHONIA	SP8F 232 A12.125 MVOLT	60	RECESSED	(2) F32T8/35K	1'X4', 2 LAMP, LENSED FLUORESCENT FLANGED FIXTURE	MVOLT
F	LITHONIA	W 232 MVOLT	60	WALL	(2) F32T8/35K	4'-0", 2 LAMP, LENSED WALL BRACKET	MVOLT
G	LITHONIA	FM22 ACLS LP	50	RECESSED	(1) 22W T9	12" SQUARE FLUORESCENT CEILING MOUNT	120
H	LITHONIA	2SP8F 2U31 A12.125 MVOLT	60	RECESSED	(2) 31W T8/35K	2'X2', 2 LAMP, LENSED FLUORESCENT FLANGED FIXTURE	MVOLT
J	LITHONIA	AF6 2/26DTT ADEZ	55	RECESSED	(2) 26W DTT/35K	6" DIA. FLUORESCENT DOWNLIGHT W/ DIMMING BALLAST	
⊙	LITHONIA	LRP BB5 1/2 RW	5	SURFACE	LED	EDGE LIT EXIT SIGN WITH RED LETTERS. PROVIDE ARROWS AS INDICATED ON DRAWINGS. WHITE BACKGROUND AND BRUSHED BRASS HOUSING.	120/277