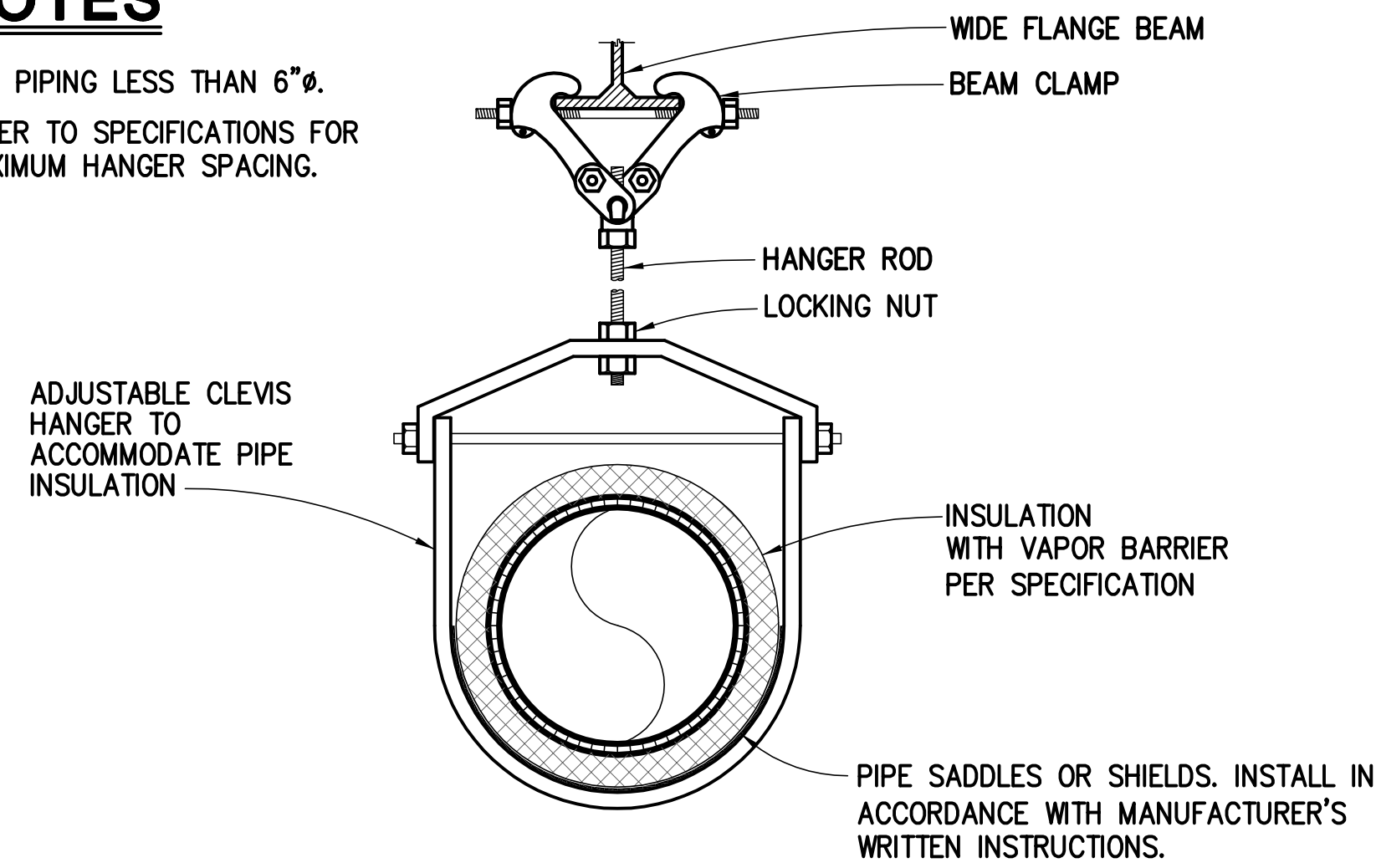


**NOTES**

- FOR PIPING LESS THAN 6"Ø.
- REFER TO SPECIFICATIONS FOR MAXIMUM HANGER SPACING.

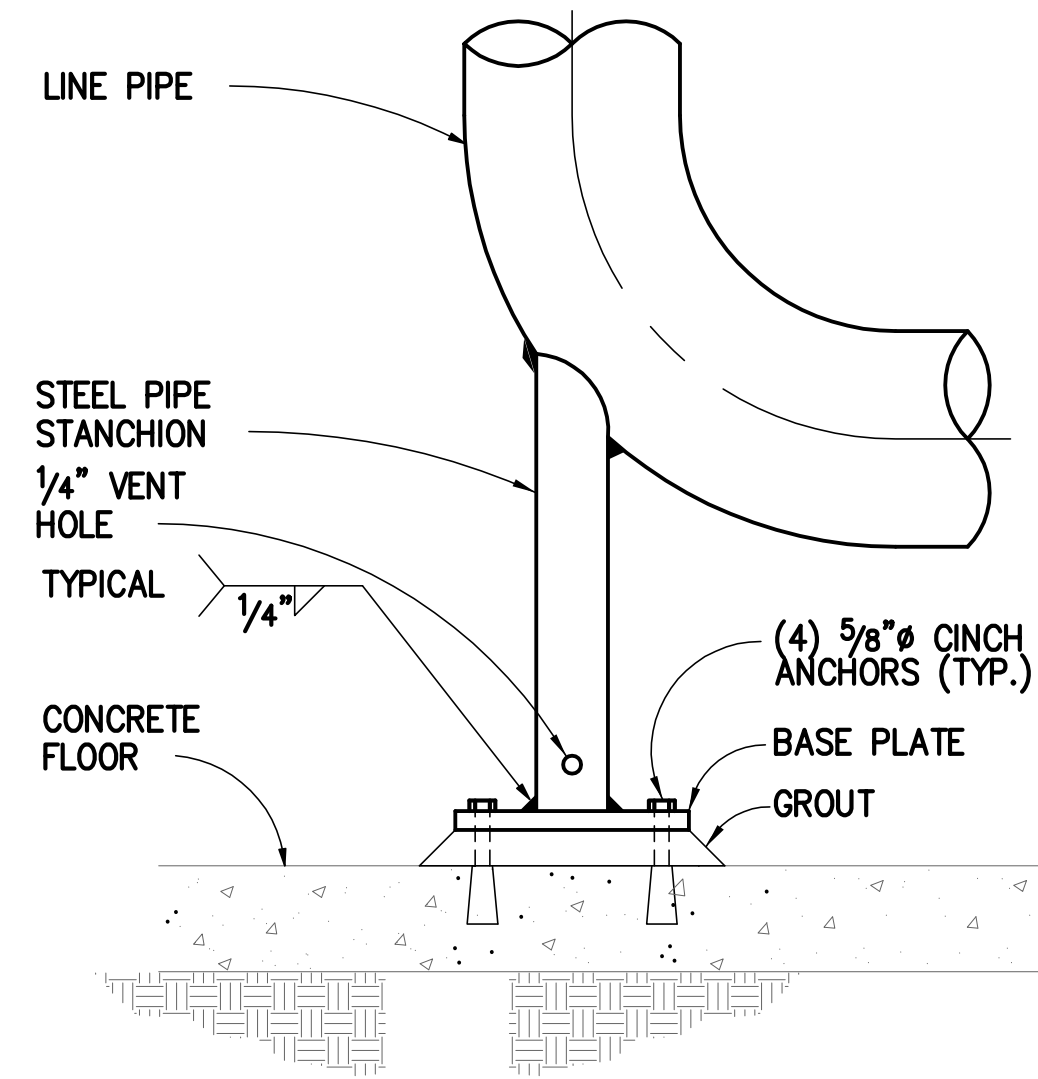


**TYP. PIPE HANGER DETAIL**

NO SCALE

1  
M2.01

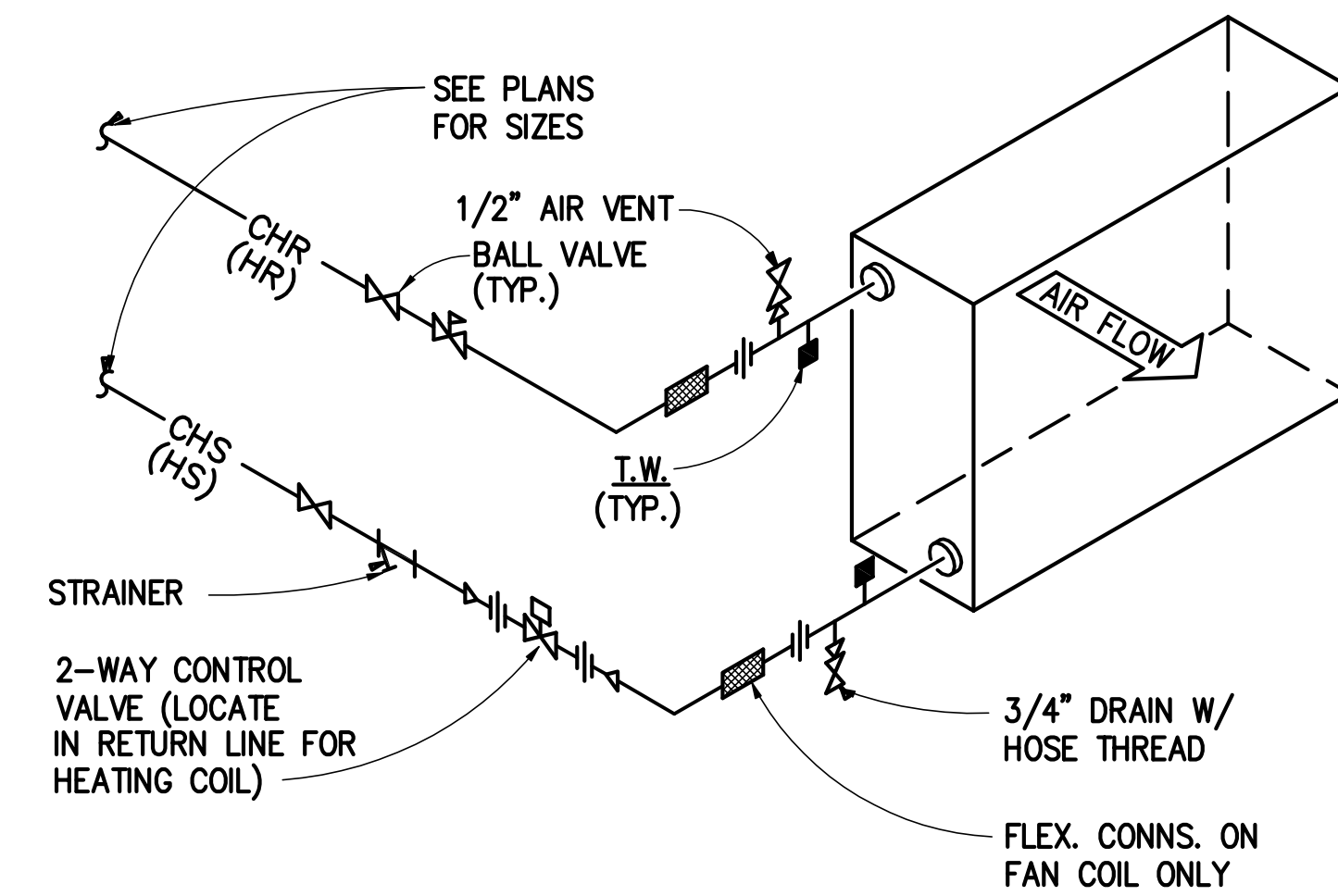
SCHEDULE		
PIPE SIZE	STANCHION SIZE	BASE PLATE
6"	3"	3/8"x8"x6"
4"	2"	3/8"x6"x6"
3"	2"	3/8"x6"x6"
2 1/2"	1 1/2"	3/8"x6"x6"



**PIPE SUPPORT DETAIL**

NO SCALE

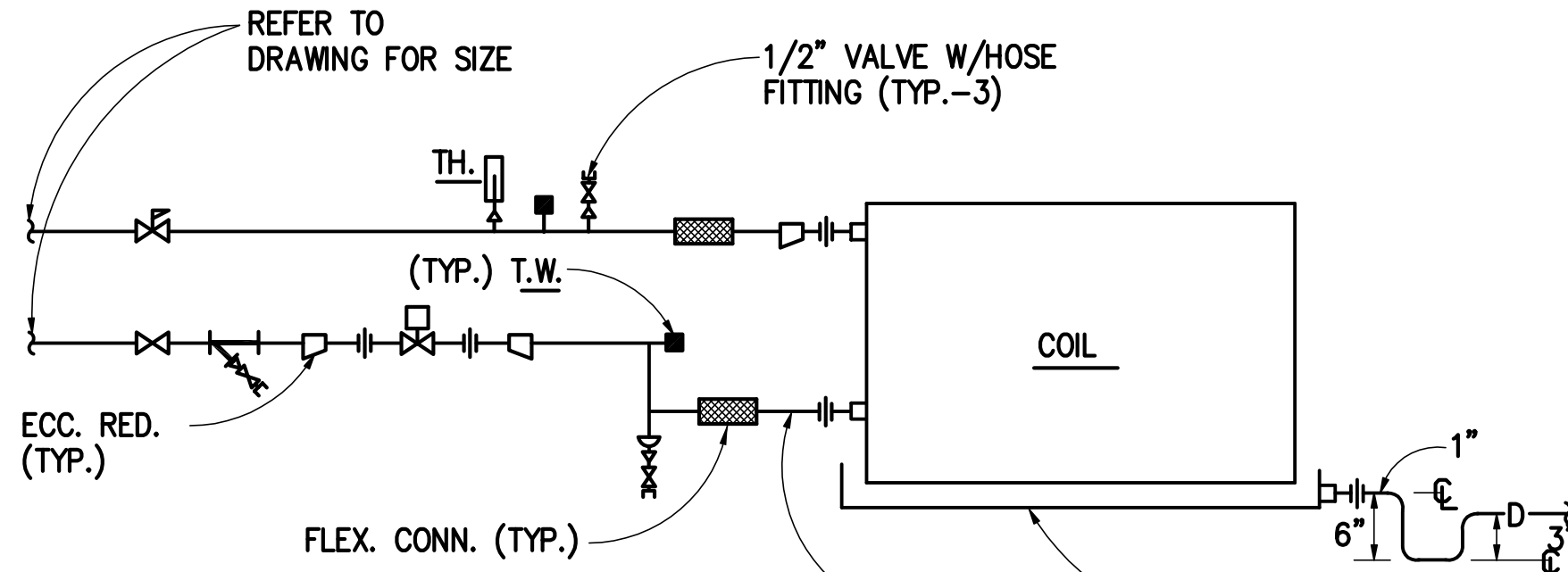
2  
M2.01



**REHEAT & FAN COIL PIPING DETAIL**

NO SCALE

3  
M2.01



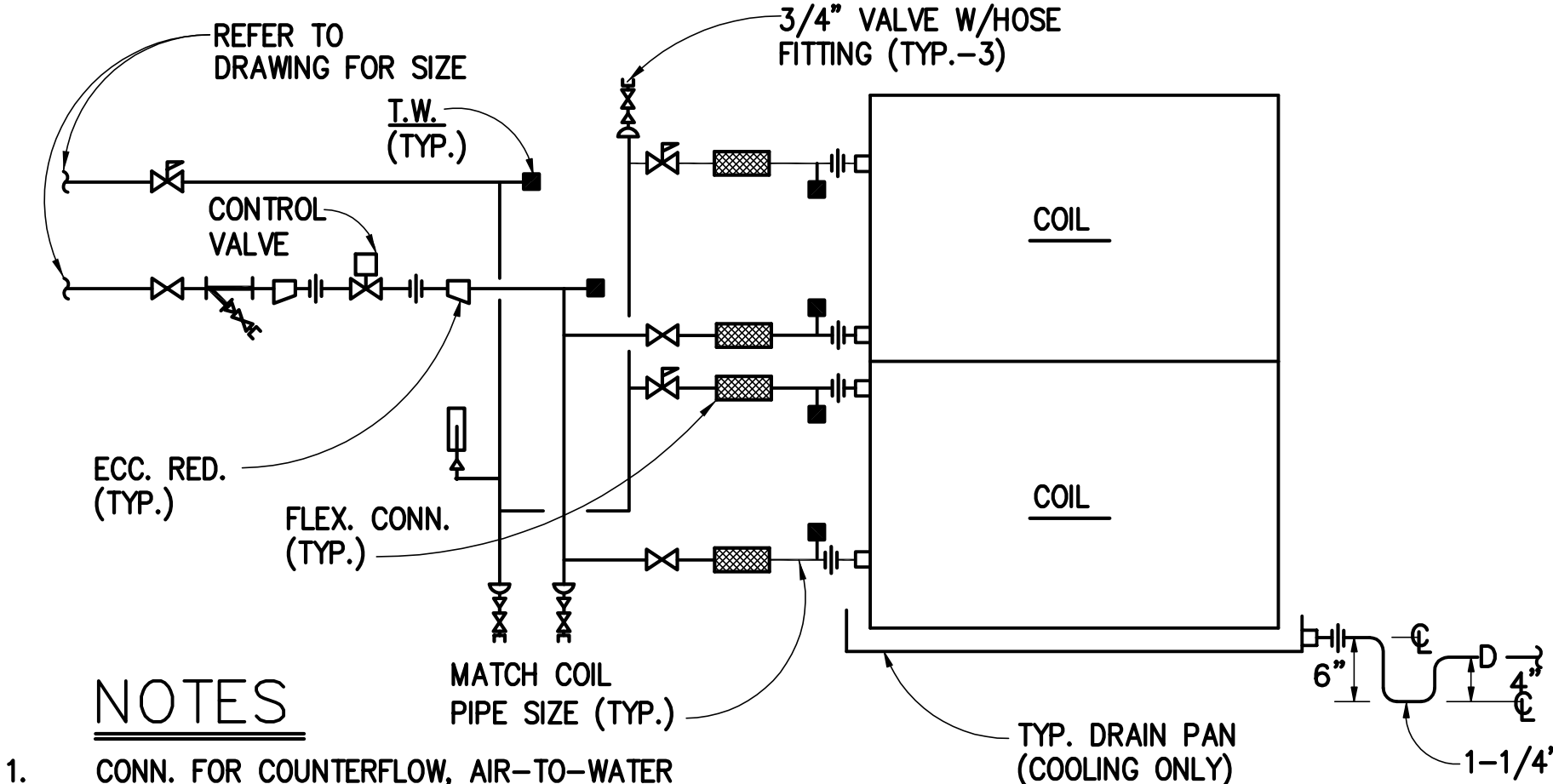
**NOTES**

- CONN. FOR COUNTERFLOW, AIR-TO-WATER
- ARRANGE PIPING TO ALLOW COIL REMOVAL.
- LOCATE THERMOMETER FOR EASY VIEW, 30°-130° FOR CHR & 30°-240° FOR HR. TRERICE NO. 3-3GC2 SOCKET, OR EQUAL.
- LOCATE CONTROL VALVE IN RETURN LINE FOR HEATING COIL.

**COIL PIPING DETAIL**

NO SCALE

4  
M2.01



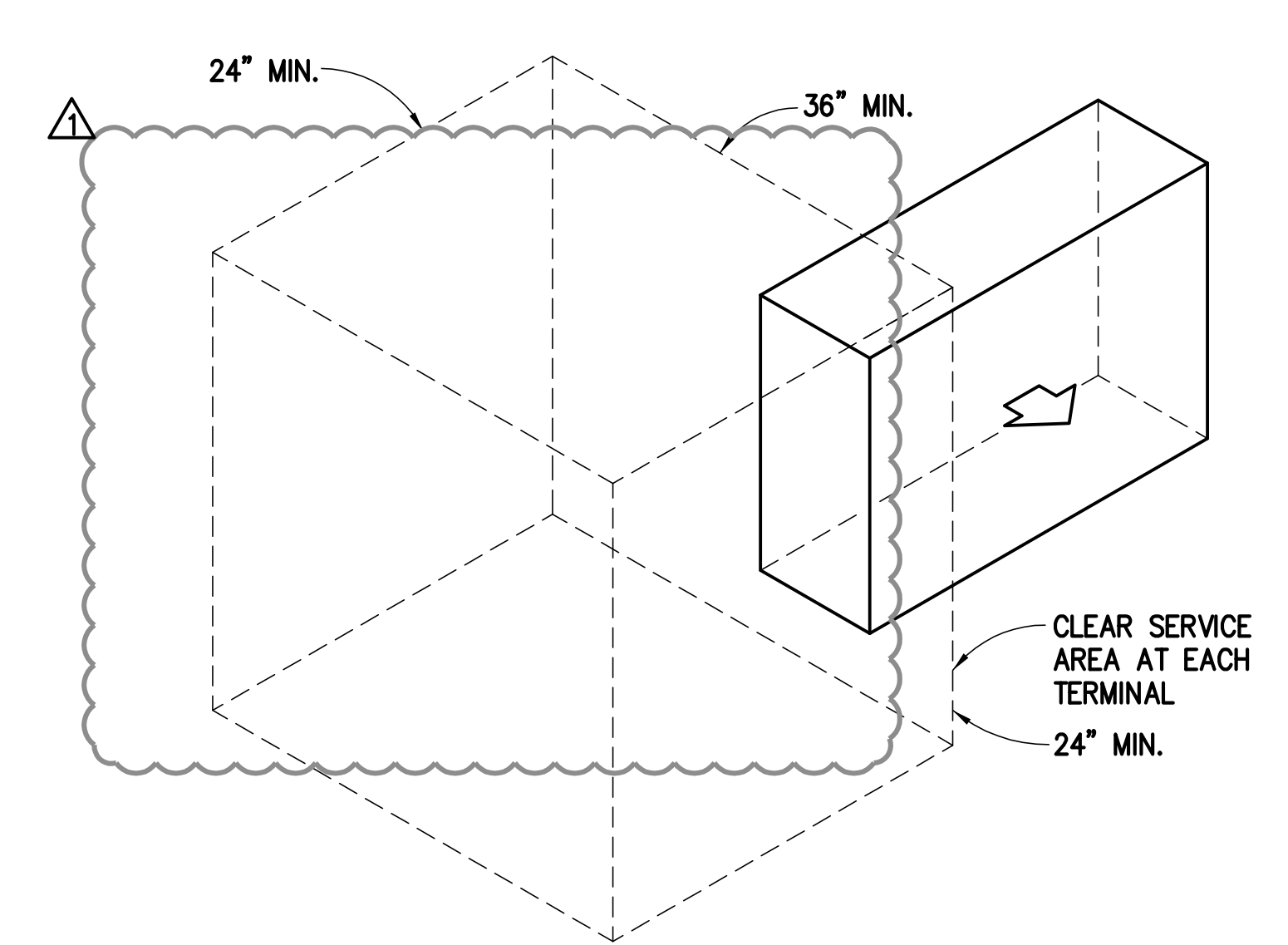
**NOTES**

- CONN. FOR COUNTERFLOW, AIR-TO-WATER
- ARRANGE PIPING TO ALLOW COIL REMOVAL.
- LOCATE THERMOMETER FOR EASY VIEW, 30°-130° FOR CHR & 30°-240° FOR HR. TRERICE NO. 3-3GC2 SOCKET, OR EQUAL.

**COIL PIPING DETAIL**

NO SCALE

5  
M2.01



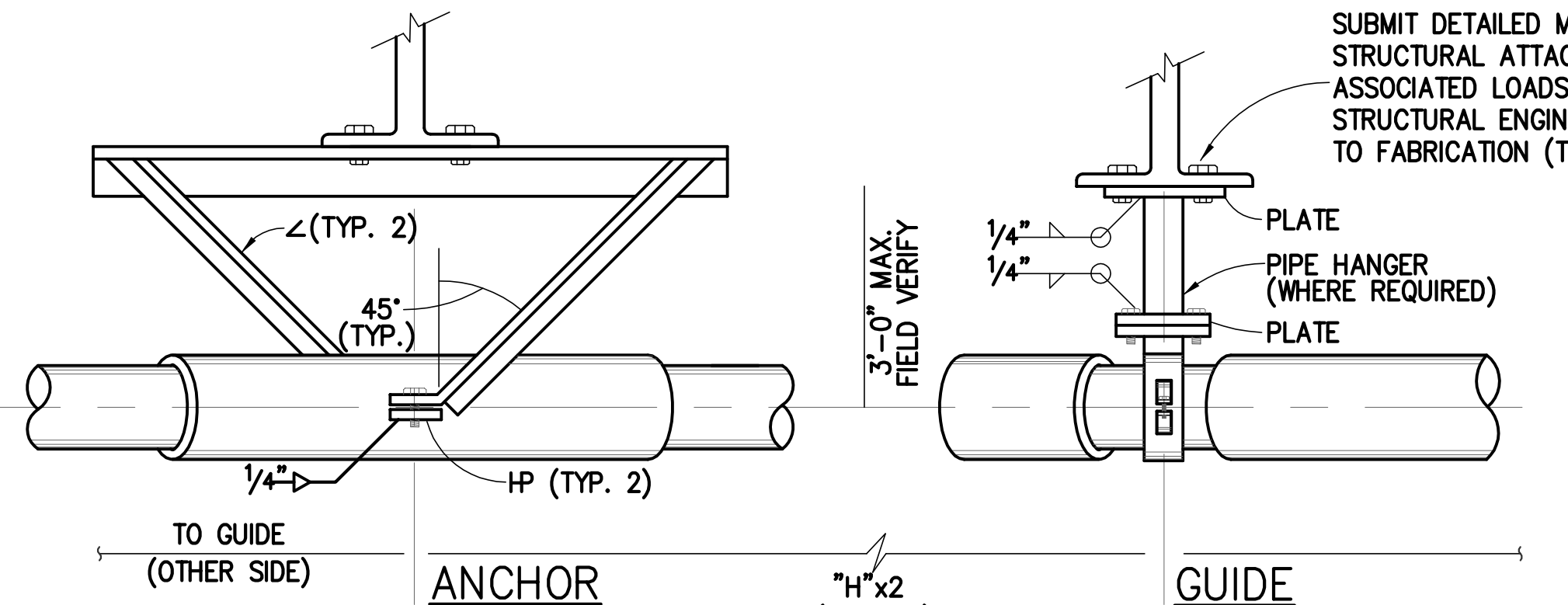
**V.A.V. SERVICE CLEARANCE DETAIL**

NO SCALE

6  
M2.01

**NOTES**

- USE (4) CINCH ANCHORS (2) AT TOP & (4) MACH. BOLTS AT BOTTOM.
- CINCH ANCHORS (2) AT TOP & MACH. BOLTS (2) AT BOTTOM.
- "H" IS LONG DIM. OF THE LOOP - SEE PLANS.
- FOR SAFETY FACTOR, PULL LOOP 1/2" TO 1" APART W/ "COME-A-ALONG", (COLD SPRING).



PIPE SIZE	ANCHOR (NOTE 2)			GUIDE (NOTE 1)		
	HP SIZE	∠ SIZE	BOLT	HANGER	PLATE	BOLT
3"	3/8" x 6" x 4"	2 1/2" x 2 1/2" x 5/16"	3/4"	2" SCH. 40	3/8" x 13" x 6"	5/8"
4"	3/8" x 4" x 4"	2 1/2" x 2 1/2" x 5/16"	3/4"	2" SCH. 40	3/8" x 13" x 6"	5/8"
6"	3/8" x 4" x 4"	2 1/2" x 2 1/2" x 5/16"	3/4"	3" SCH. 40	3/8" x 13" x 6"	5/8"

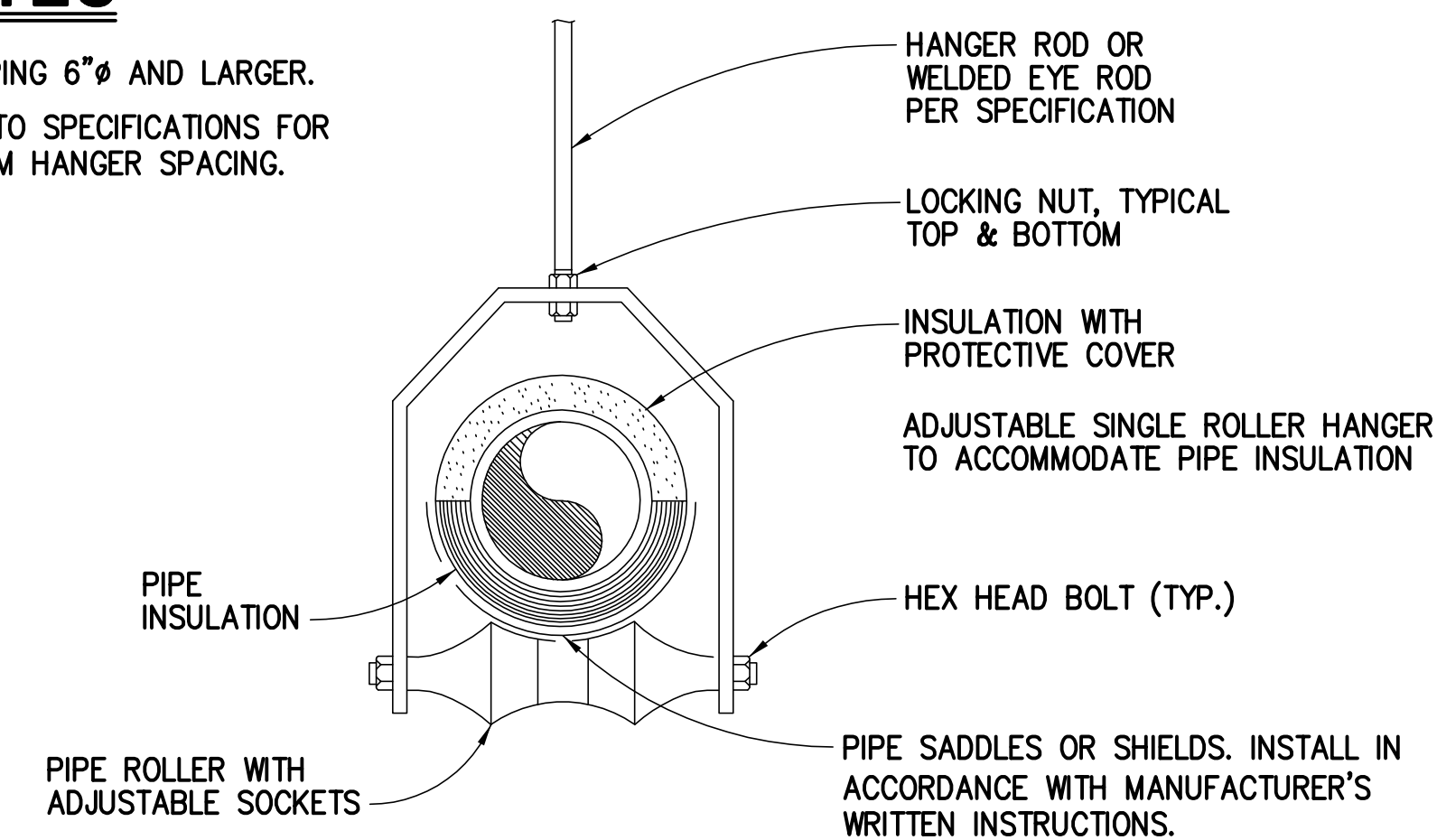
**PIPE ANCHOR / GUIDE DETAIL**

NO SCALE

7  
M2.01

**NOTES**

- FOR PIPING 6"Ø AND LARGER.
- REFER TO SPECIFICATIONS FOR MAXIMUM HANGER SPACING.



**TYP. PIPE HANGER DETAIL**

NO SCALE

8  
M2.01

**THE SAENGER THEATRE RENEWAL PROJECT**

142 North Rampart Street  
New Orleans, LA

Client  
Saenger Theatre Redevelopment Company  
200 West Loop South, Suite 1040  
Houston TX 77027

Architect  
**MARTINEZ+JOHNSON ARCHITECTURE**

1412 Eye St., NW  
Washington, DC 20005  
202.333.4480

Structural Engineer  
Shawn J. Franke, P.E.  
549heimer Road, San Antonio TX 78232  
210.979.7900

Theatre Consultant  
Schuler Shook  
123 Third Street North #210  
Minneapolis, MN 55401  
612.333.5555

Acoustical Engineer  
Akustiks  
93 North Main Street South  
Norwalk, CT 06584  
202.299.1904

MEP Engineer  
JBA Consulting Engineers, Inc.  
3525 N. Causeway Blvd. Suite 500  
Metairie, LA 70002  
504.830.0139

Civil Engineer  
Linfield, Hunter, & Junius, Inc.  
3608 18th Street Suite 200  
Metairie, LA 70002  
504.833.5300

Architectural Historian  
EHT Traceries, Inc.  
1121 Fifth Street NW  
Washington, DC 20001  
202.393.1199

THESE DRAWINGS, SPECIFICATIONS, AND OTHER DOCUMENTS, COLLECTIVELY, THE "DOCUMENTS", INCLUDING WITHOUT LIMITATION ELECTRONIC VERSIONS THEREOF AND THE IDEAS, DESIGNS, AND ARRANGEMENTS REPRESENTED THEREBY, ARE AND SHALL REMAIN THE PROPERTY OF MARTINEZ & JOHNSON ARCHITECTURE P.C. AS DEFINED BY APPLICABLE CONTRACTUAL AGREEMENTS ("THE AGREEMENTS") AND AS PROTECTED BY THE COPYRIGHT LAWS OF THE UNITED STATES. USE OF THE DOCUMENTS SHALL BE STRICTLY LIMITED TO THE PROJECT FOR WHICH THEY WERE PREPARED AND DEVELOPED ("THE PROJECT") FOR THE TERMS OF THE AGREEMENTS. NO PART OF THE DOCUMENTS SHALL BE COPIED, DISCLOSED TO OTHERS, OR USED IN CONNECTION WITH ANY OTHER WORK OR PROJECT, OR BY ANY OTHER PERSONS FOR ANY PURPOSES OTHER THAN THE COMPLETION OF THE PROJECT, WITHOUT THE SPECIFIC WRITTEN AUTHORIZATION OF MARTINEZ & JOHNSON ARCHITECTURE P.C. THE DOOR, WINDOW, OPENING, OR VIEWING OF ELECTRONIC VERSIONS OF THE DOCUMENTS OR VISUAL CONTACT WITH ANY PRINTED FORM THEREOF SHALL CONSTITUTE CONCLUSIVE EVIDENCE OF ACCEPTANCE OF THESE RESTRICTIONS.

7502

DATE: No.: ISSUE:

02.19.10	1	PERMIT SET
04.02.10	2	GMP CONTRACT SET

DATE: No.: REVISION:

06.16.10	Δ	PERMIT SET REVISION
11.11.10		CONTRACT SET

SHEET TITLE:  
**DETAILS**

**M-2.01**