

**THE SAENGER
THEATRE RENEWAL
PROJECT**

142 North Rampart Street
New Orleans, LA

Client
Saenger Theatre Redevelopment Company
200 West Loop South, Suite
1040 Houston TX 77027

Architect
MARTINEZ+JOHNSON
ARCHITECTURE

1412 Eye St., NW
Washington, DC 20005
202.333.4480

Structural Engineer
Shawn J. Franke, P.E.
549heimer Road, San
Antonio TX 78232
210.979.7900

Theatre Consultant
Schuler Shook
123 Third Street North #210
Minneapolis, MN 55401
612.333.5555

Acoustical Engineer
Akustiks
93 North Main Street South
Norwalk, CT 06584
202.299.1904

MEP Engineer
JBA Consulting Engineers, Inc.
3525 N. Causeway Blvd. Suite
500 Metairie, LA 70002
504.830.0139

Civil Engineer
Linfield, Hunter, & Junius, Inc.
3608 18th Street Suite 200
Metairie, LA 70002
504.833.5300

Architectural Historian
EHT Traceries, Inc.
1121 Fifth Street NW
Washington, DC 20001
202.393.1199

NOTES

- ① 4" V. UP FROM BELOW GRADE ON WALL.
- ② 3" PUMPED DEWATERING UP ON WALL WITH CHECK AND GATE VALVE.
- ③ 3" PUMPED SEWAGE UP ON WALL WITH CHECK AND GATE VALVE.
- ④ 4" PUMPED DEWATERING
- ⑤ 4" PUMPED WASTE.
- ⑥ DEWATERING MAIN BELOW GRADE - REFER TO STRUCTURAL DRAWINGS.
- ⑦ REFER TO $\frac{C}{P-4.01}$ FOR CONTINUATION.
- ⑧ REFER TO SHEET P-1.00 FOR CONTINUATION.
- ⑨ GAS-TIGHT, HINGED WET WELL COVER WITH 3'-0" x 3'-6" ACCESS DOOR.
- ⑩ GAS-TIGHT, HINGED WET WELL COVER WITH 2'-0" x 3'-2" ACCESS DOOR.
- ⑪ CHECK VALVE.
- ⑫ GATE VALVE.
- ⑬ TWO PUMPS IN BASIN, ONE SHOWN FOR CLARITY - SEE PLAN VIEW.
- ⑭ PIPE DISCONNECT WITH LIFTING CHAIN FOR EACH PUMP.
- ⑮ RAIL SYSTEM WITH INTERMEDIATE BRACKET FOR EACH PUMP AND SUPPORT POINTS FOR PIPING. ANCHOR BASIN PER MANUFACTURER'S RECOMMENDATIONS.
- ⑯ LEVEL CONTROL ASSEMBLY.
- ⑰ STAINLESS STEEL CHAIN FOR PUMP REMOVAL.
- ⑱ 4" SANITARY WASTE INLET BELOW GRADE.
- ⑲ 4" V. FROM PIT.
- ⑳ PIPING SUPPORTED BELOW STAGE AND ORCHESTRA SEATING AREAS SHALL BE RESILIENTLY SUSPENDED FROM STRUCTURE ABOVE USING VIBRATION ISOLATION HANGERS.
- ㉑ APPLY T-LOK LINER WITHIN BASIN ON WALLS.
- ㉒ COORDINATE EXACT PIT LOCATIONS WITH STRUCTURAL.

THESE DRAWINGS, SPECIFICATIONS, AND OTHER DOCUMENTS, COLLECTIVELY, THE "DOCUMENTS", INCLUDING WITHOUT LIMITATION ELECTRONIC VERSIONS THEREOF AND THE IDEAS, DESIGNS, AND ARRANGEMENTS REPRESENTED THEREIN, ARE AND SHALL REMAIN THE PROPERTY OF MARTINEZ & JOHNSON ARCHITECTURE PC AS DEFINED BY APPLICABLE CONTRACTUAL AGREEMENTS ("THE AGREEMENTS") AND AS PROTECTED BY THE COPYRIGHT STATUTES OF THE UNITED STATES. USE OF THE DOCUMENTS SHALL BE STRICTLY LIMITED TO THE PROJECT FOR WHICH THEY WERE PREPARED AND DEVELOPED ("THE PROJECT") FOR THE TERMS OF THE AGREEMENTS. NO PART OF THE DOCUMENTS SHALL BE COPIED, DISCLOSED TO OTHERS, OR USED IN CONNECTION WITH ANY OTHER WORK OR PROJECT, OR BY ANY OTHER PERSONS FOR ANY PURPOSES, OTHER THAN THE COMPLETION OF THE PROJECT, WITHOUT THE SPECIFIC WRITTEN AUTHORIZATION OF MARTINEZ & JOHNSON ARCHITECTURE PC. THE BORROWING, OPENING, OR VIEWING OF ELECTRONIC VERSIONS OF THE DOCUMENTS OR VISUAL CONTACT WITH ANY PRINTED FORM THEREOF SHALL CONSTITUTE CONCLUSIVE EVIDENCE OF ACCEPTANCE OF THESE RESTRICTIONS.

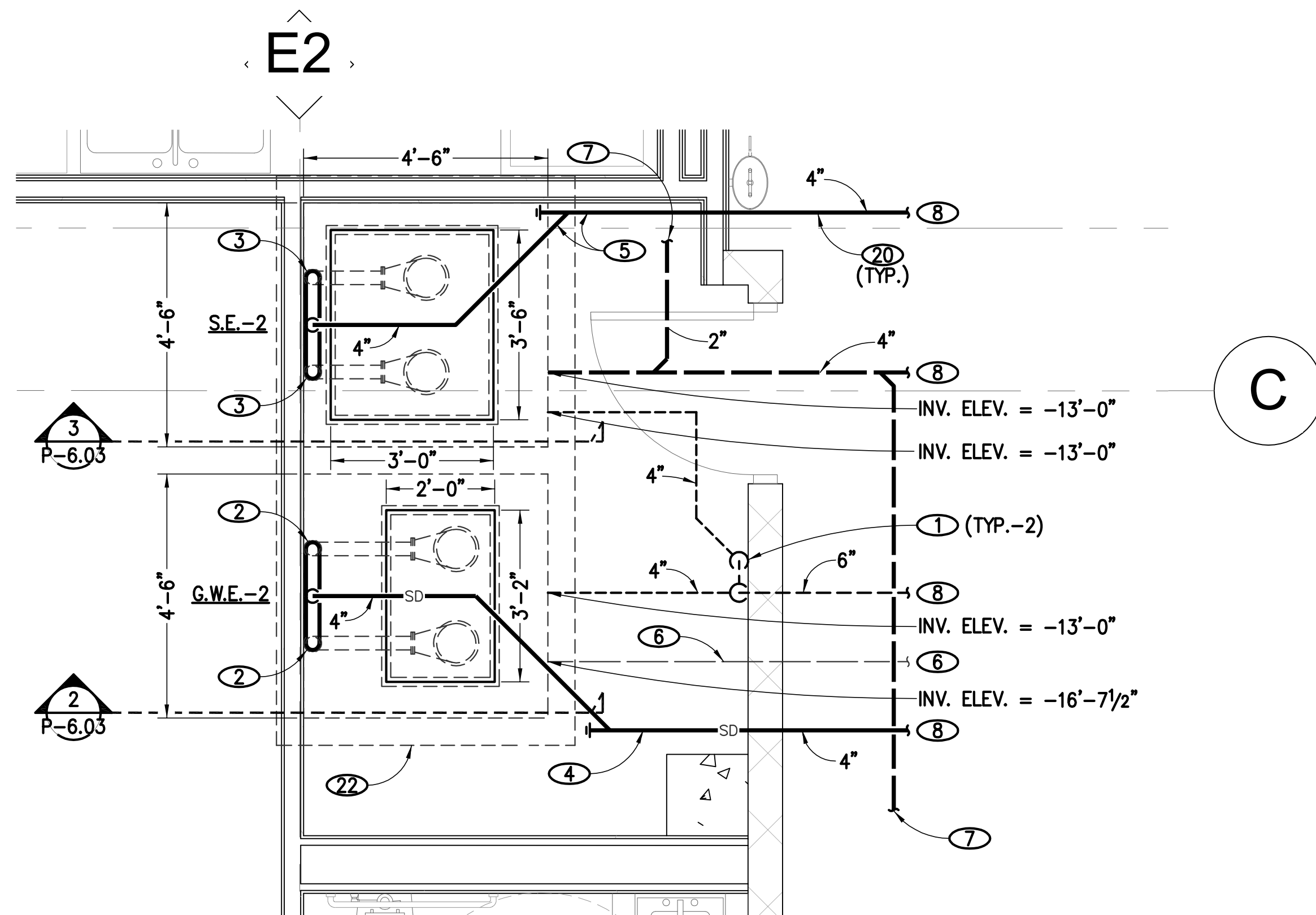
7502

DATE:	No.:	ISSUE:
02.19.10	1	PERMIT SET
04.02.10	2	GMP CONTRACT SET

DATE:	No.:	REVISION:
11.11.10		CONTRACT SET

SHEET TITLE:
DETAILS

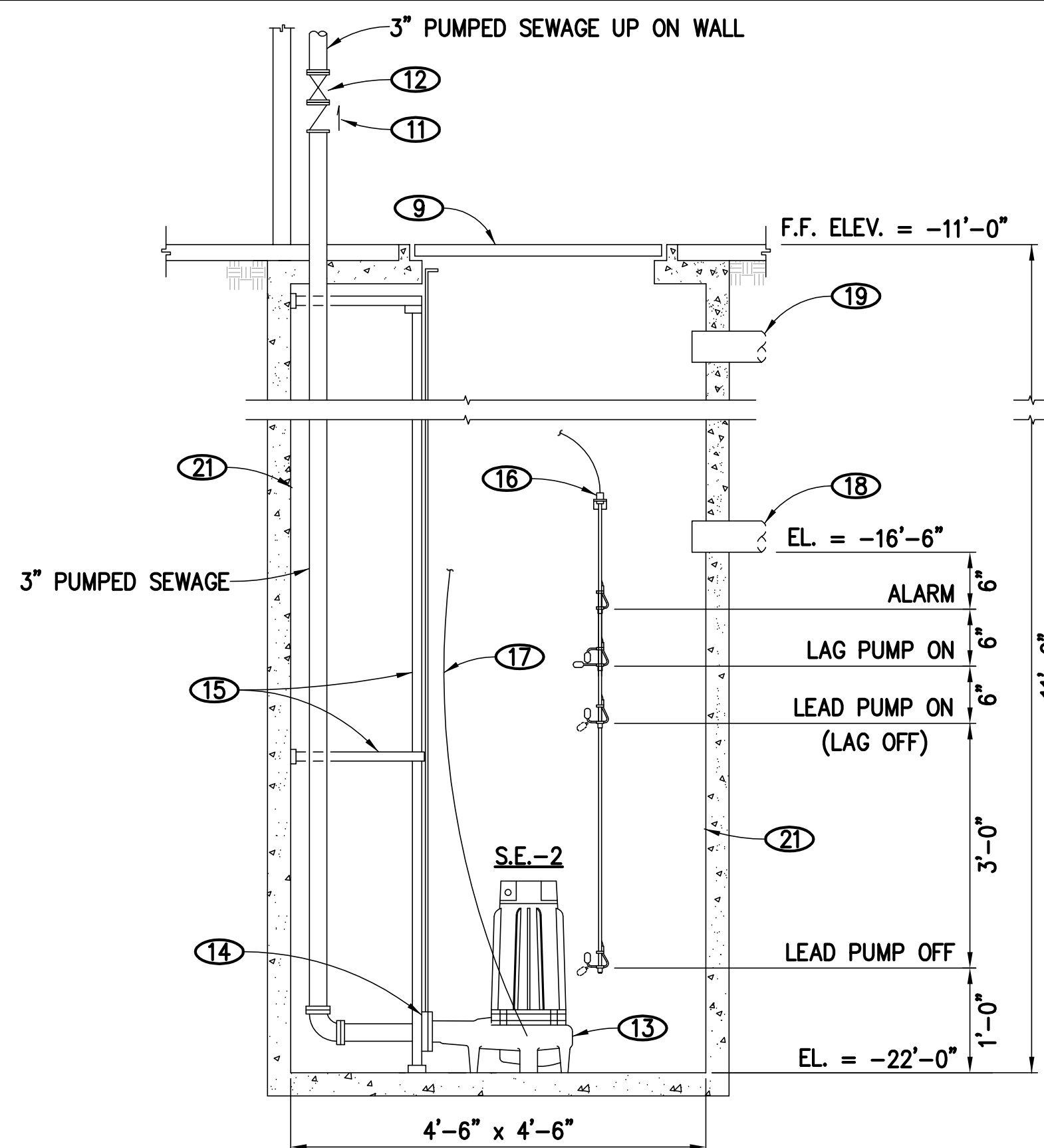
P-6.03



EJECTOR ROOM ENLARGED PLAN

SCALE: 1/2" = 1'-0"

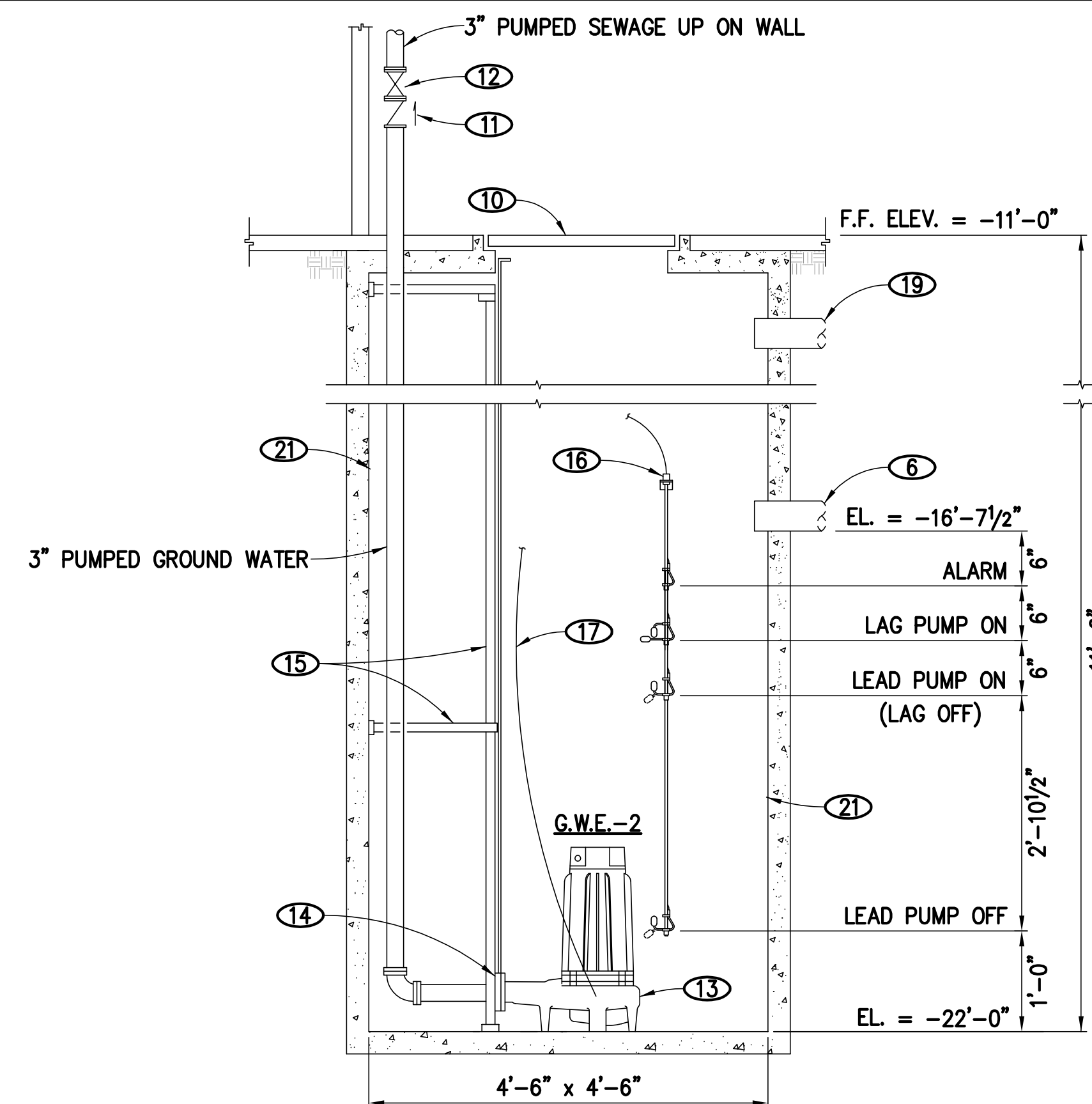
1
P-6.03



SEWAGE EJECTOR (S.E.-2) DETAIL

NO SCALE

2
P-6.03



GROUND WATER EJECTOR (G.W.E.-2) DETAIL

NO SCALE

3
P-6.03