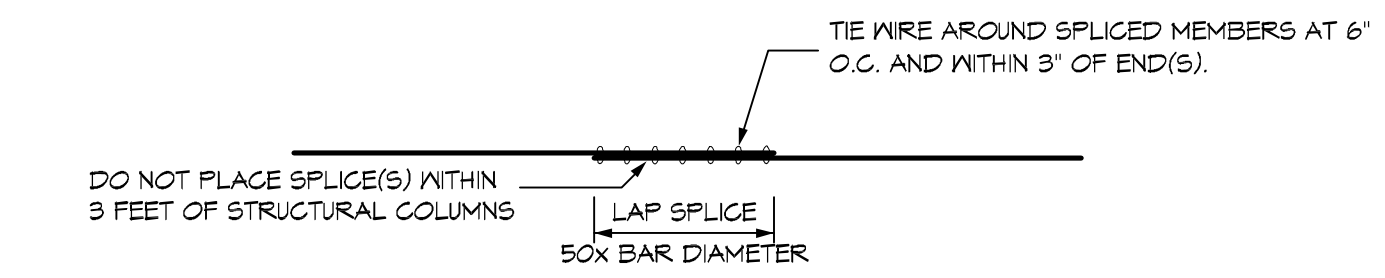
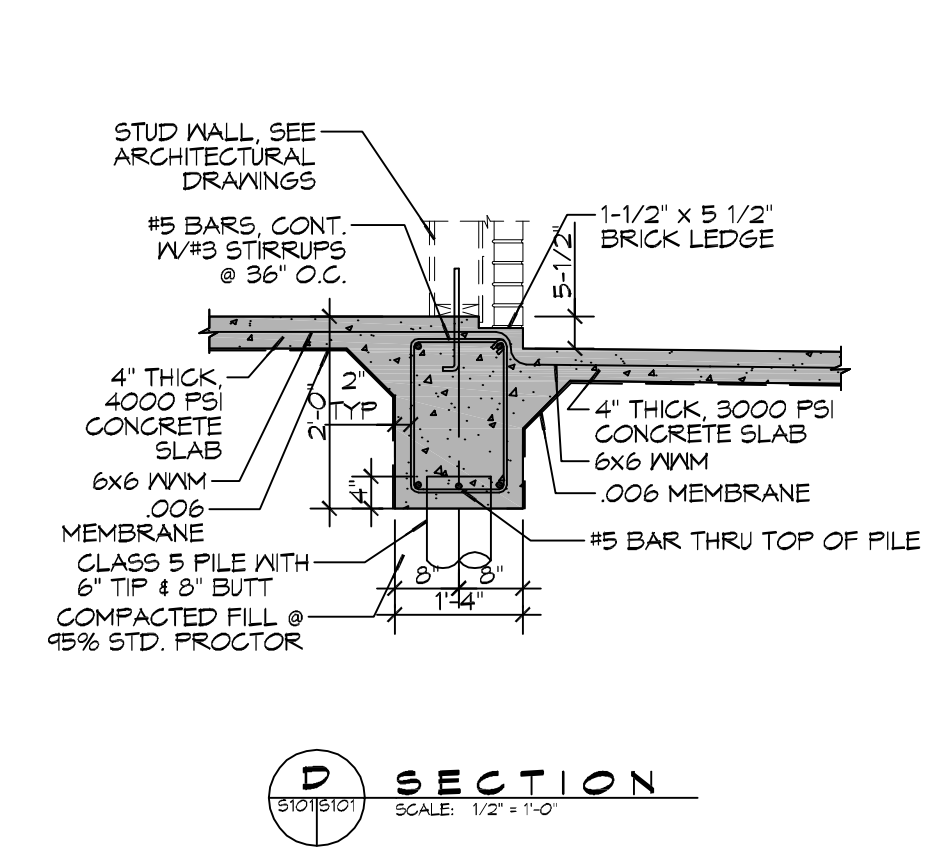
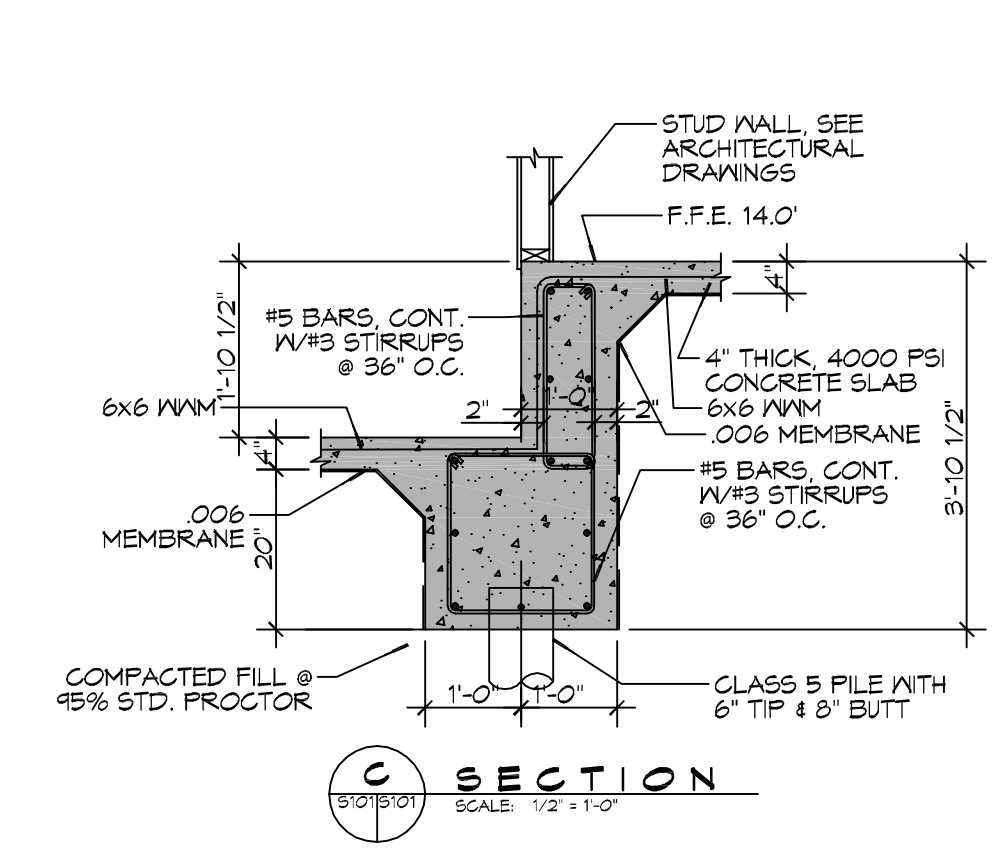
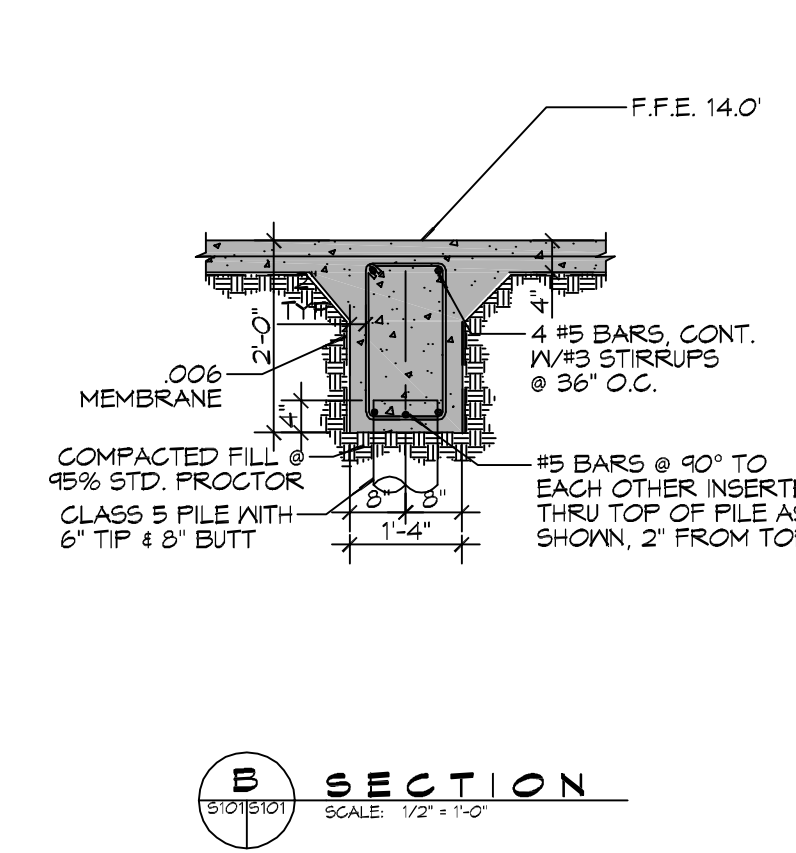
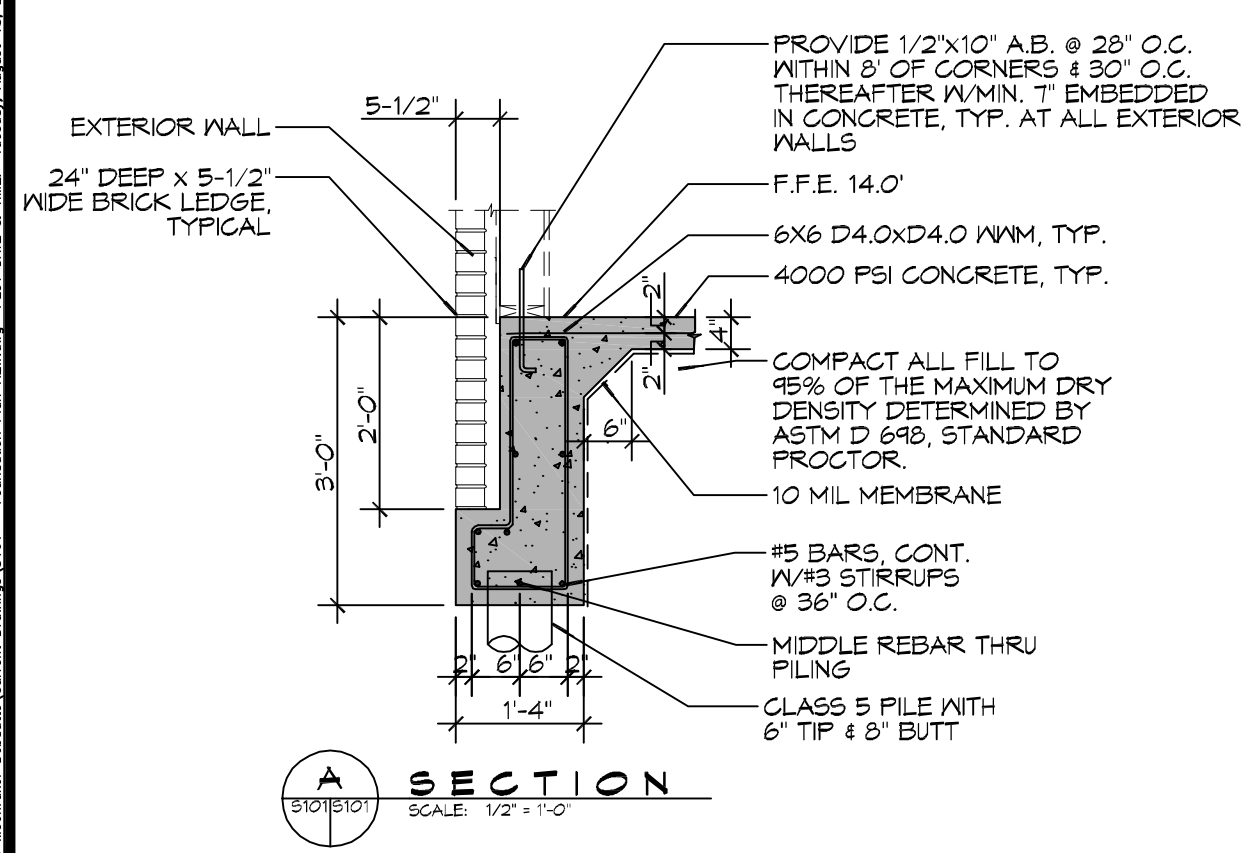


FILE NAME: A:\Projects\Foundations at Brandon\03101\03101.dwg Date Plotted: 08/18/2020 10:03:21 AM

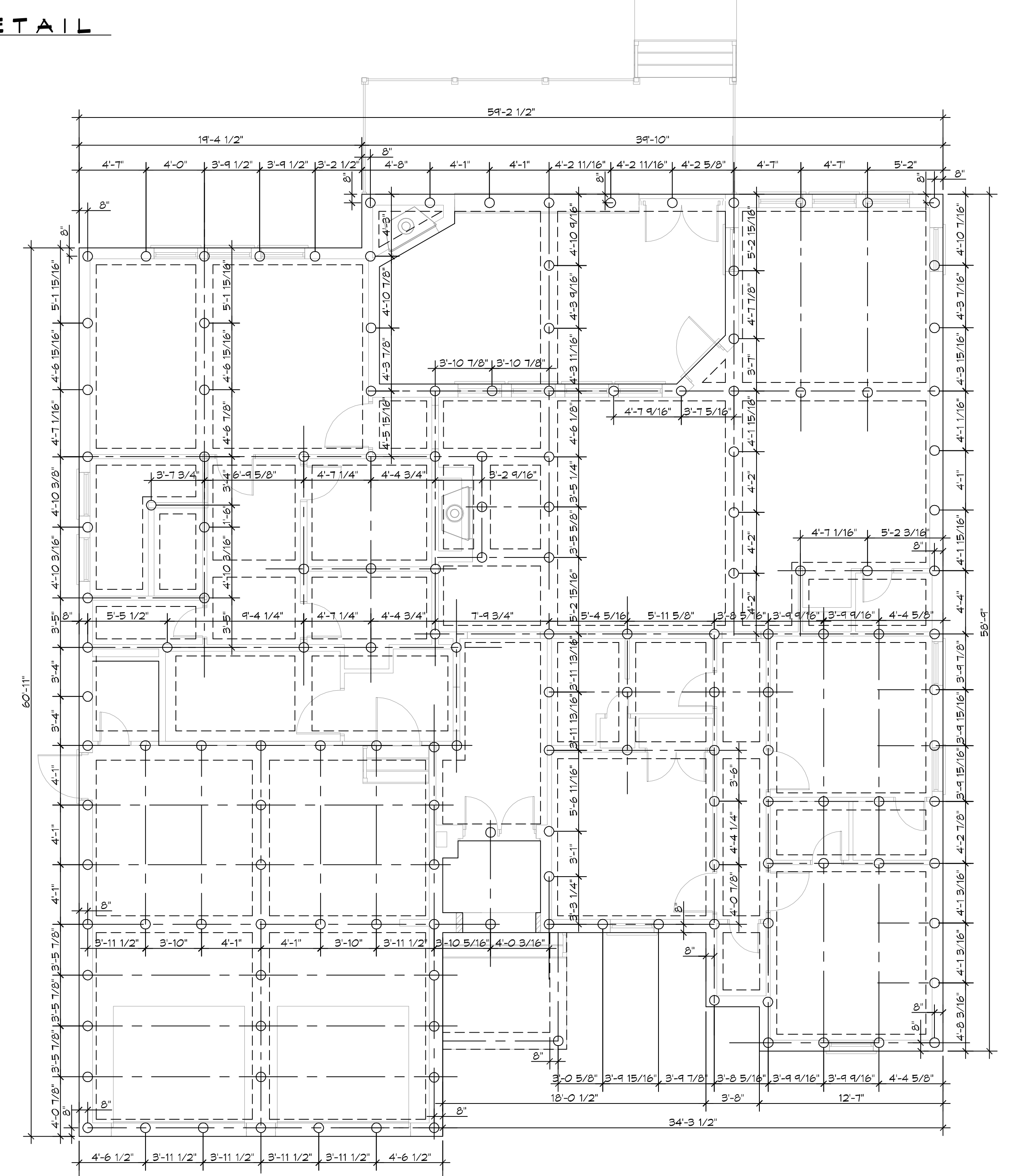
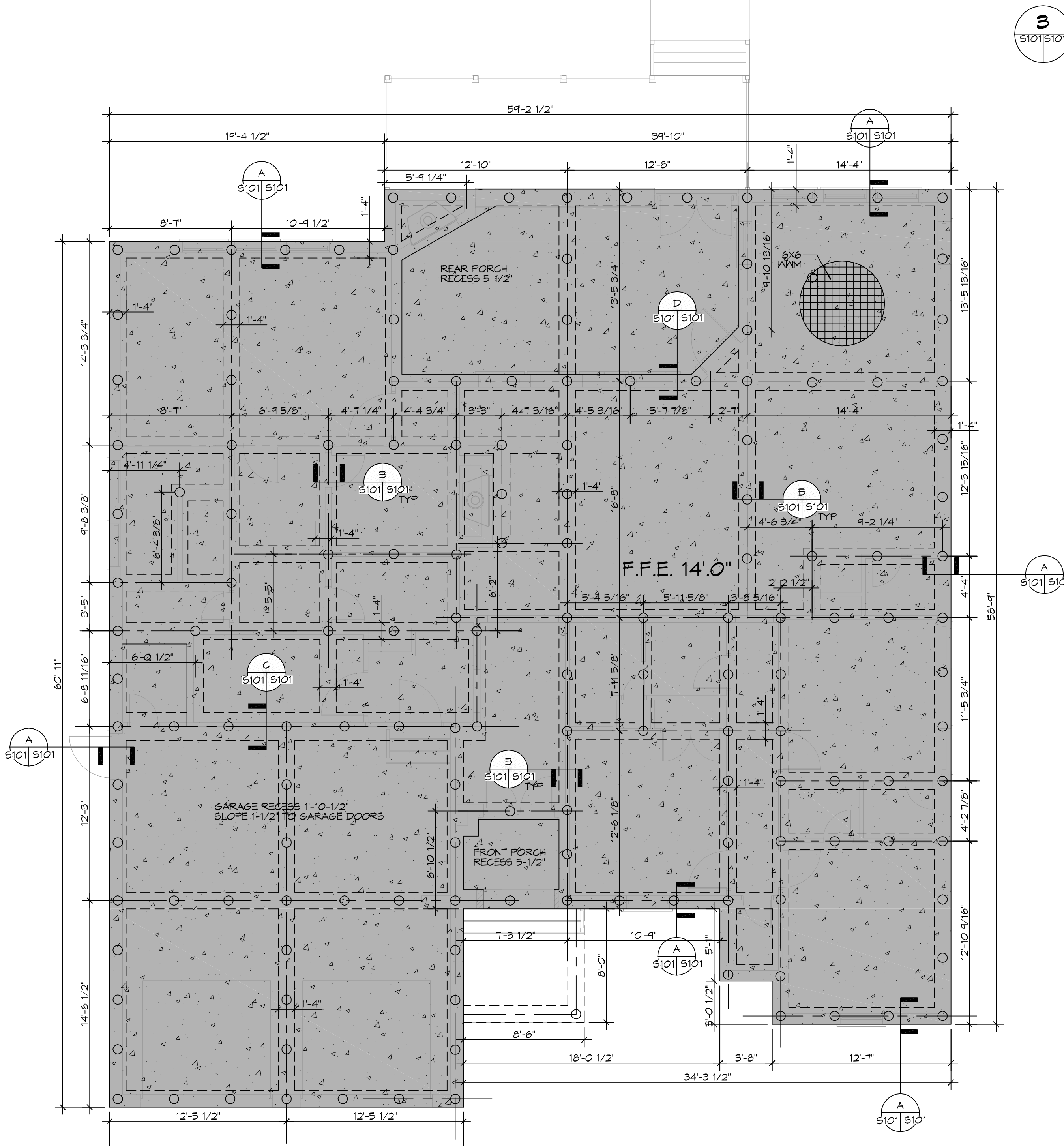


PILING NOTES

- FILES ARE TO BE CLASS 5 MODIFIED AND ALL PILES ARE TO BE 40 FT. IN LENGTH WITH A 6 INCH TIP AND 8\"/>
- ALL PILES TO BE EMBEDDED 30 FT. MINIMUM INTO SOIL.
- DESIGN LOAD = 6 TONS PER PILE.
- NO FIELD SUPERVISION OR INSPECTION PROVIDED UNDER THIS SEAL UNLESS OTHERWISE NOTED.
- PILE LAYOUT MAY BE MODIFIED DUE TO ACTUAL DRIVING CONDITIONS. THIS PILE SUPPORTED FOUNDATION IS DESIGNED TO MEET THE GENERAL SOIL CONDITIONS OF THE AREA OF WORK. THE CONTRACTOR OR OWNER IS ADVISED THAT A SOIL ANALYSIS SHOULD BE MADE TO CONFIRM THE DESIGN.
- A PILE BLOW COUNT LOG OF ALL PILES IS TO BE SUBMITTED TO THE ENGINEER OF RECORD. FAILURE TO SUBMIT SAID LOG WILL RELEASE THE ENGINEER OF ALL RESPONSIBILITY.
- CONTRACTOR IS RESPONSIBLE FOR THE COMPARISON & VERIFICATION OF PILE LAYOUT DIMENSIONS WITH MOST RECENT ARCHITECTURAL DRAWINGS, ASSURING THAT PILES DO NOT FALL WITHIN LIMITS OF THE DESIGN.
- FILL AS A MINIMUM QUALITY. SHALL BE 40% CLAY AND 60% SANDY MIXTURE PLACED IN 6\"/>
- STANDARD PROCTOR. FOOTINGS ARE DESIGNED TO USE SOIL WITH A BEARING PRESSURE OF 2000 LBS. PER SQUARE FOOT OR MORE. IT IS RECOMMENDED THAT THE OWNER VERIFY ALLOWABLE SOIL BEARING PRESSURE CAPACITY BY CONTRACTING THE SERVICES OF A SOILS ENGINEERING COMPANY.

GENERAL FOUNDATION NOTES

- ALL DIMENSIONS ARE EDGE OF CONCRETE (EOC) TO EDGE OF CONCRETE (EOC) UNLESS NOTED OTHERWISE.
- VERIFY ALL PLUMBING ROUGH-IN LOCATIONS ON ARCHITECTURAL DWGS.
- CONCRETE MIX SHALL HAVE A MINIMUM COMPRESSIVE STRENGTH OF 4000 PSI AT 28 DAYS. CONCRETE MIX SHALL BE IN ACCORDANCE WITH ACI-318.
- ALL CONVENTIONAL REINFORCING STEEL SHALL MEET ASTM-A615 (GRADE 60).
- ONE LAYER OF POLYETHYLENE VAPOR BARRIER SHALL BE PLACED UNDER ALL CONCRETE. VAPOR RETARDER TO BE MINIMUM 10 MIL THICKNESS; ASTM E 1745 CLASS A, PERMEANCE LESS THAN 0.01 PERMS, EQUAL TO STEGO INDUSTRIES STEGO WRAP. ECOSHIELD-E 15 MIL BY EPRO, OR IRONBAR 15 BY FLATIRON FILMS. PROVIDE APPROPRIATE ACCESSORIES FOR A COMPLETE SYSTEM.
- ALL REINFORCING STEEL AND MESH SHALL BE SECURELY SUPPORTED TO PREVENT BOTH VERTICAL AND HORIZONTAL MOVEMENT DURING CONCRETE PLACEMENT.
- THE CONTRACTOR SHALL VERIFY ALL DROPS, OFFSETS, BRICK LEDGES, DIMENSIONS AND CONFIGURATIONS. CONTRACTOR MUST BE RESPONSIBLE FOR SAME. SEE ARCHITECTURAL DRAWINGS FORMSETTER PLAN SHEET 9 OF 9.
- GRADE BEAM DIMENSIONS MAY VARY BY -5%, +20%.
- NEW SPREAD CONCRETE FOOTINGS AND CONTINUOUS FOOTINGS, BEARING ON COMPACTED STRUCTURAL FILL AT LEAST 2 FEET BELOW BEARING PRESSURES OF 1200 PSF AND 2000 PSF, RESPECTIVELY, BASED ON DEAD LOADS AND DESIGN LIVE LOADS.
- ALL SOIL BELOW SLAB SHALL RECEIVE TERMITE TREATMENT.



DAMMON ENGINEERING, INC.
 LOUISIANA & MISSISSIPPI
 Chief Architect: Kevin J. Kinchen, NCBAB
 Chief Engineer: Brian Mitchell, PE
 554 Old Spanish Trail
 Slidell, LA 70688
 www.dammonengineering.com
 info@dammonengineering.com
 PH: 985.649.5832
 F: 985.641.9990

#	DESCRIPTION	DATE



FOUNDATION PLAN
JOELLE AND DALE
DEBAUTE
 356 MOONBAKER DRIVE
 SLIDELL, LA
 JOB No: 08-18-2020
 DATE: 08-18-2020
 DRAWN BY: RLD
 CHECKED BY: CKD

SHEET TITLE:
PILING AND FOOTING
FOUNDATION PLAN
 DRAWING NUMBER:
S101
 SHEET No: 1 of #1