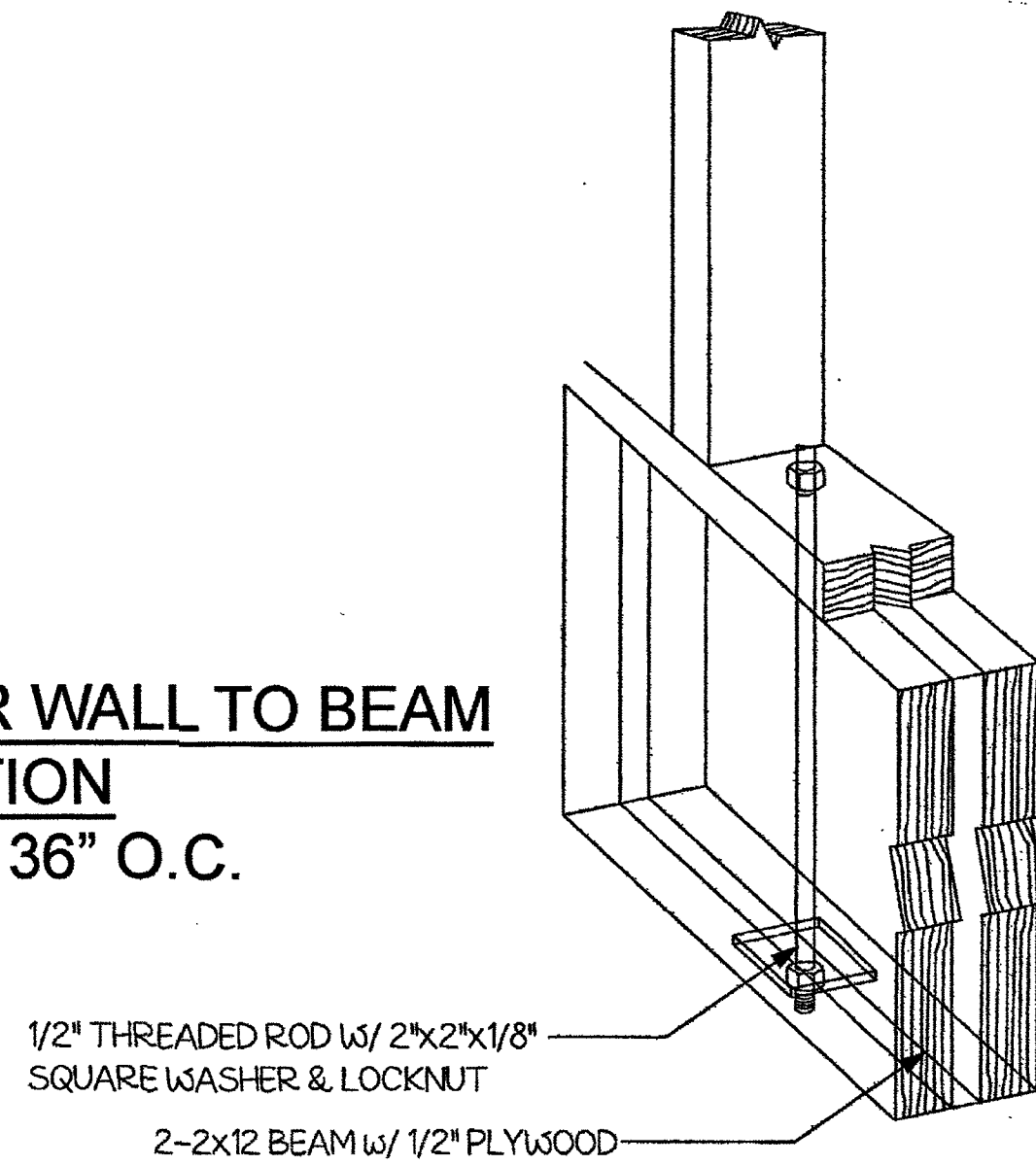


EXTERIOR WALL TO BEAM CONNECTION
SPACE AT 36" O.C.



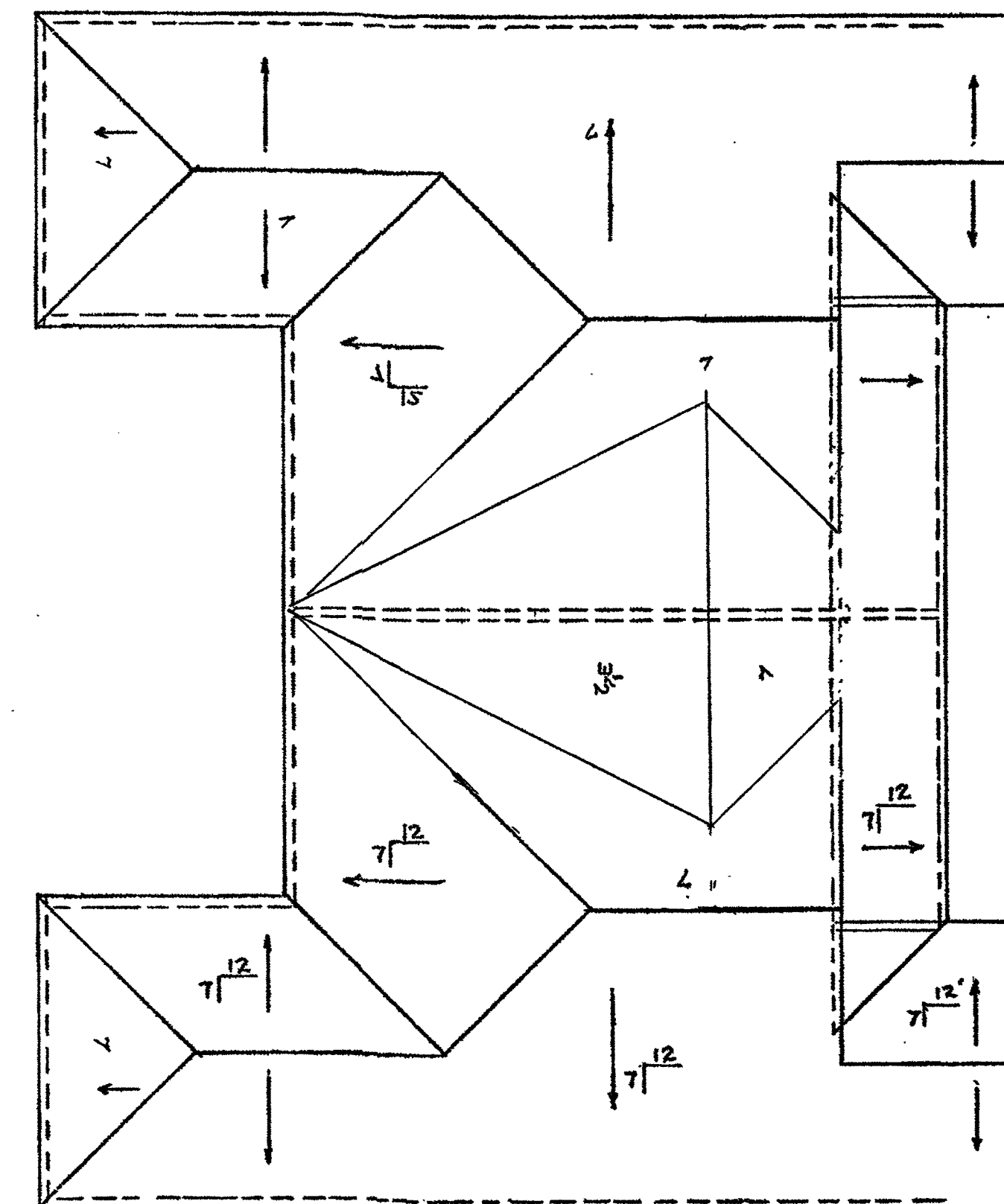
BEAM CALCULATIONS

(B1) $L = 13.83'$; Trib Width = $\frac{4}{2} = 2'$; Load = $2 \times 40 = 80 \text{ plf}$
 $\Rightarrow I_{rod} = 100 \text{ in}^4$ $2 \times 2 \times 12$

(B2) $L = 4'$; Load = 200 plf
 $\Rightarrow I_{rod} = 64 \text{ in}^4$ $2 \times 2 \times 12$

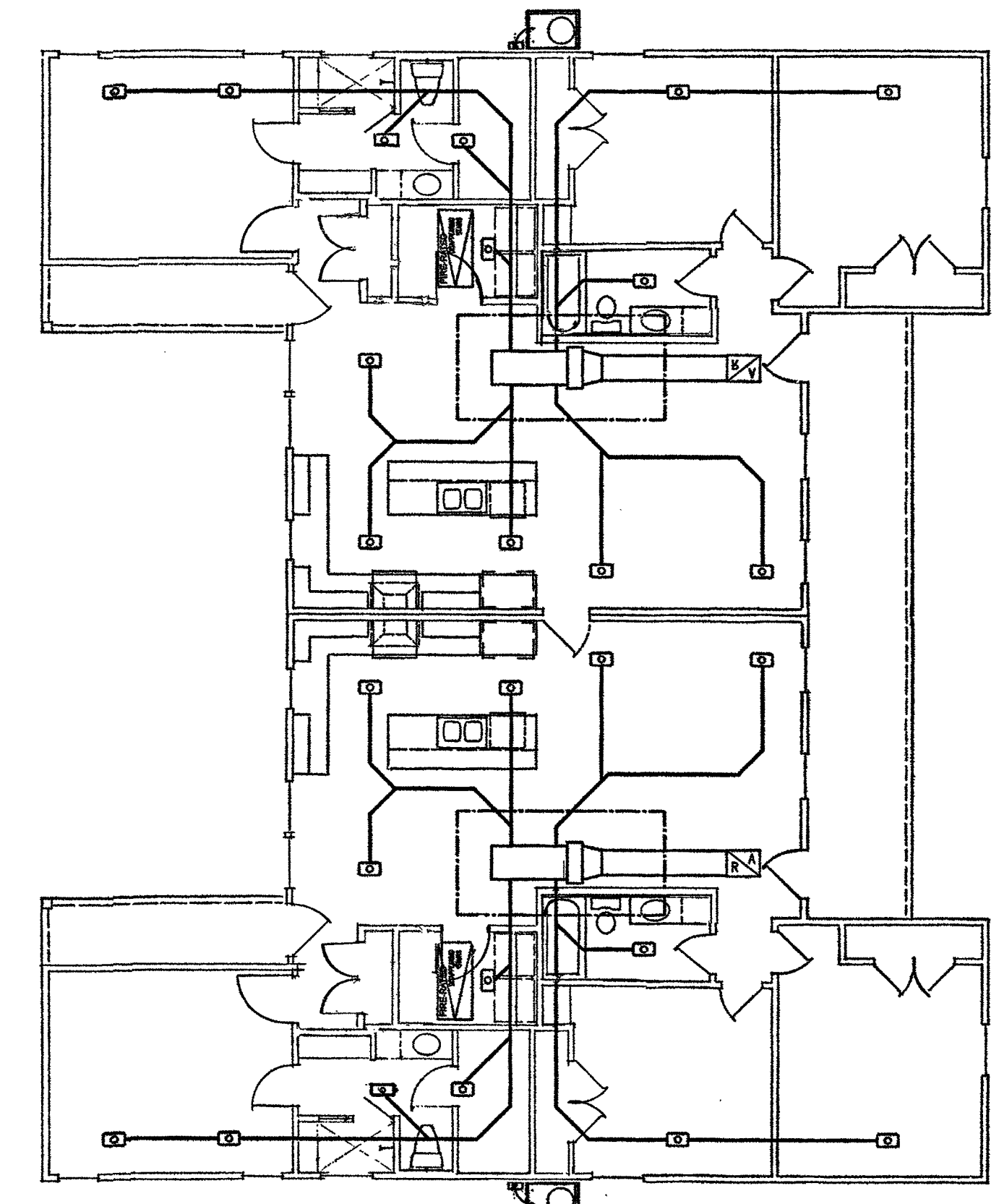
(B3) $L = 5.42'$; Trib Width = $\frac{21.1}{2} = 10.55'$; Load = $10.55 \times 40 \text{ plf} = 422 \text{ plf}$
 $\Rightarrow I_{rod} = 321.4 \text{ in}^4$ $2 \times 2 \times 12$

(B4) $L = 12.75'$; Trib Width = $\frac{4}{2} = 2'$; Load = $3 \text{ sf} \times 40 \text{ plf} = 120 \text{ plf}$
 $\Rightarrow I_{rod} = 117 \text{ in}^4$ $2 \times 2 \times 12$

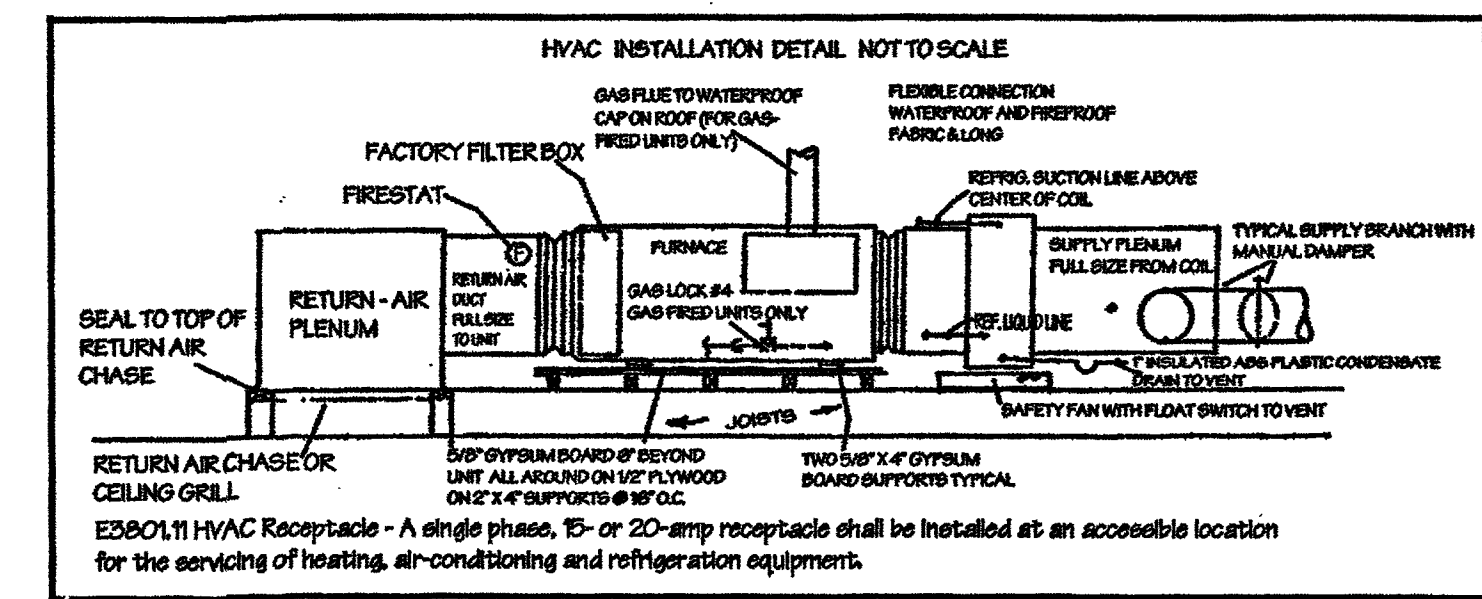


ROOF PLAN

PLACE ALL ROOF PENETRATION TO SIDES,
GROUP TOGETHER WHERE POSSIBLE TO
MINIMIZE PENETRATIONS, PAINT TO MATCH ROOF.



HEATING AND AIR DUCT PLAN

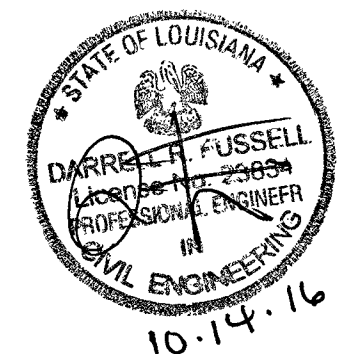


AIR CONDITIONING HEATING NOTES IRC 2012 ed.
(SIZE AND CAPACITY TO BE DETERMINED BY OWNER OR CONTRACTOR OR MECHANICAL ENGINEER).

1. Air conditioning unit(s) to be _____ Ton 14 Seer Minimum, R-22. Air conditioning unit(s)
2. Return air to be 20"x30" filter grills.
3. Ducts to be 26 gauge galvanized iron or flex steel with 2" fiberglass insulation.
4. Registers to be 12"x6" - 3 or 4 way throw
5. Provide catwalk to all mechanical in attic and opening shall not be less than 22" x 30"
6. Attic access, decked work area (30" x 30")

COPYRIGHT NOTICE
Plans © 2016 by Andy McDonald. These plans are protected under federal copyright laws. The original purchases of these plans is authorized to build one and only one home as shown in the plans. Reproduction by any means, modifications, or use of these plans to construct more than one home unless otherwise specifically authorized is strictly prohibited.

IMPORTANT NOTES
These plans are the sole property of Andy McDonald. All rights are reserved by the designer, and use of these plans for construction purposes, or for reproduction thereof, in whole or in part, is strictly forbidden without compensation to and written permission from the designer.
Every effort has been made to insure the accuracy and correctness of these drawings. It is the responsibility of the contractor to check these plans for accuracy or error. Any discrepancy should be reported for correction prior to the onset of construction.



<p>ANDY McDONALD DESIGN GROUP 985.845.0098 www.andymcdonaldsdesign.com</p>	Plan No.: 2658/2980
	Scale: 1/4" Equals 1'-0"
	Page No.: 4 OF 6