

R311.7.1 Width.
Stairways shall not be less than 36 inches (914 mm) in clear width at all points above the permitted handrail height and below the required headroom height. Handrails shall not project more than 4.5 inches (114 mm) on either side of the stairway and the minimum clear width of the stairway at and below the handrail height, including treads and landings, shall not be less than 31 1/2 inches (787 mm) where a handrail is installed on one side and 27 inches (688 mm) where handrails are provided on both sides.

R311.7.5.1 Risers.
The maximum riser height shall be 7 1/4 inches (196 mm). The riser shall be measured vertically between leading edges of the adjacent treads. The greatest riser height within any flight of stairs shall not exceed the smallest by more than 3/8 inch (9.5 mm). Risers shall be vertical or sloped from the underside of the nosing of the tread above at an angle not more than 30 degrees (0.51 rad) from the vertical. Open risers are permitted provided that the opening between treads does not permit the passage of a 4-inch-diameter (102 mm) sphere.

R311.7.5.2 Treads.
The minimum tread depth shall be 10 inches (254 mm). The tread depth shall be measured horizontally between the vertical planes of the foremost projection of adjacent treads and at a right angle to the tread's leading edge. The greatest tread depth within any flight of stairs shall not exceed the smallest by more than 3/8 inch (9.5 mm).

R311.7.6 Landings for stairways.
There shall be a floor or landing at the top and bottom of each stairway. The minimum width, perpendicular to the direction of travel shall be no less than the width of the flight served. Landings of shapes other than square or rectangular shall be permitted provided the depth at the walk line and the total area is not less than that of a quarter circle with a radius equal to the required landing width. Where the stairway has a straight run, the minimum depth in the direction of travel shall be not less than 36 inches (914 mm).

R311.7.8 Handrails.
Handrails shall be provided on at least one side of each continuous run of treads or flight with four or more risers.

R311.7.8.3 Grip-size.
All required handrails shall be of one of the following types or provide equivalent graspability.
1. Type I. Handrails with a circular cross section shall have an outside diameter of at least 1 1/4 inches (32 mm) and not greater than 2 inches (51 mm). If the handrail is not circular, it shall have a perimeter dimension of at least 4 inches (102 mm) and not greater than 6 1/4 inches (160 mm) with a maximum cross section of dimension of 2 1/4 inches (57 mm). Edges shall have a minimum radius of 0.01 inch (0.25 mm).
2. Type II. Handrails with a perimeter greater than 6 1/4 inches (160 mm), shall have a graspable finger recess area on both sides of the profile. The finger recess shall be 1/2 inch (12.7 mm) within a distance of 3/4 inch (19 mm) measured vertically from the tallest portion of the profile and achieve a depth of at least 3/16 inch (4.8 mm) within 1/4 inch (6.4 mm) below the widest portion of the profile. This required depth shall continue for at least 1/4 inch (6.4 mm) to a level that is not less than 1 1/4 inches (31.8 mm) below the tallest portion of the profile. The minimum width of the handrail above the recess shall be 1 1/4 inches (31.8 mm) to a maximum of 2 1/4 inches (57 mm). Edges shall have a minimum radius of 0.01 inch (0.25 mm).

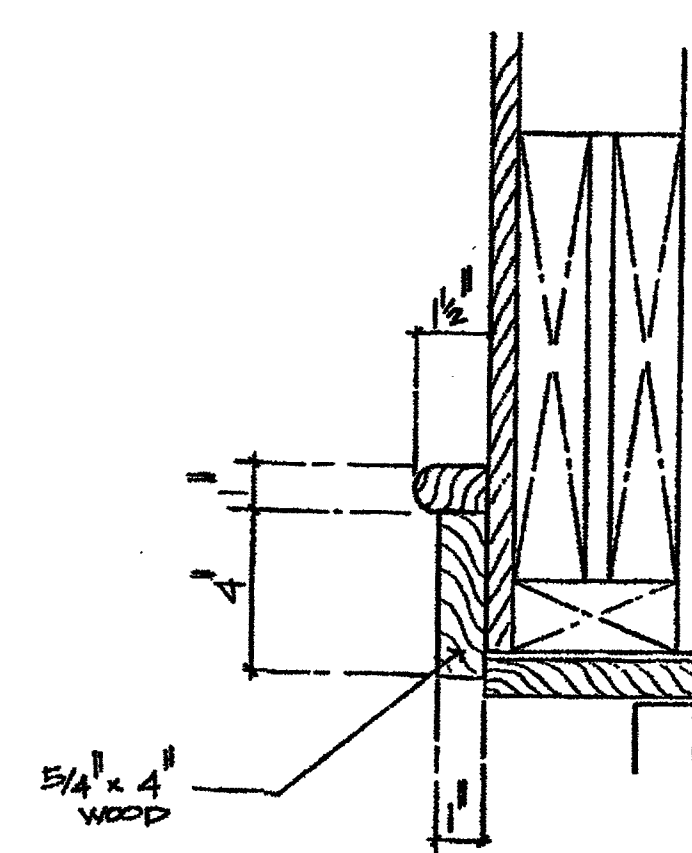
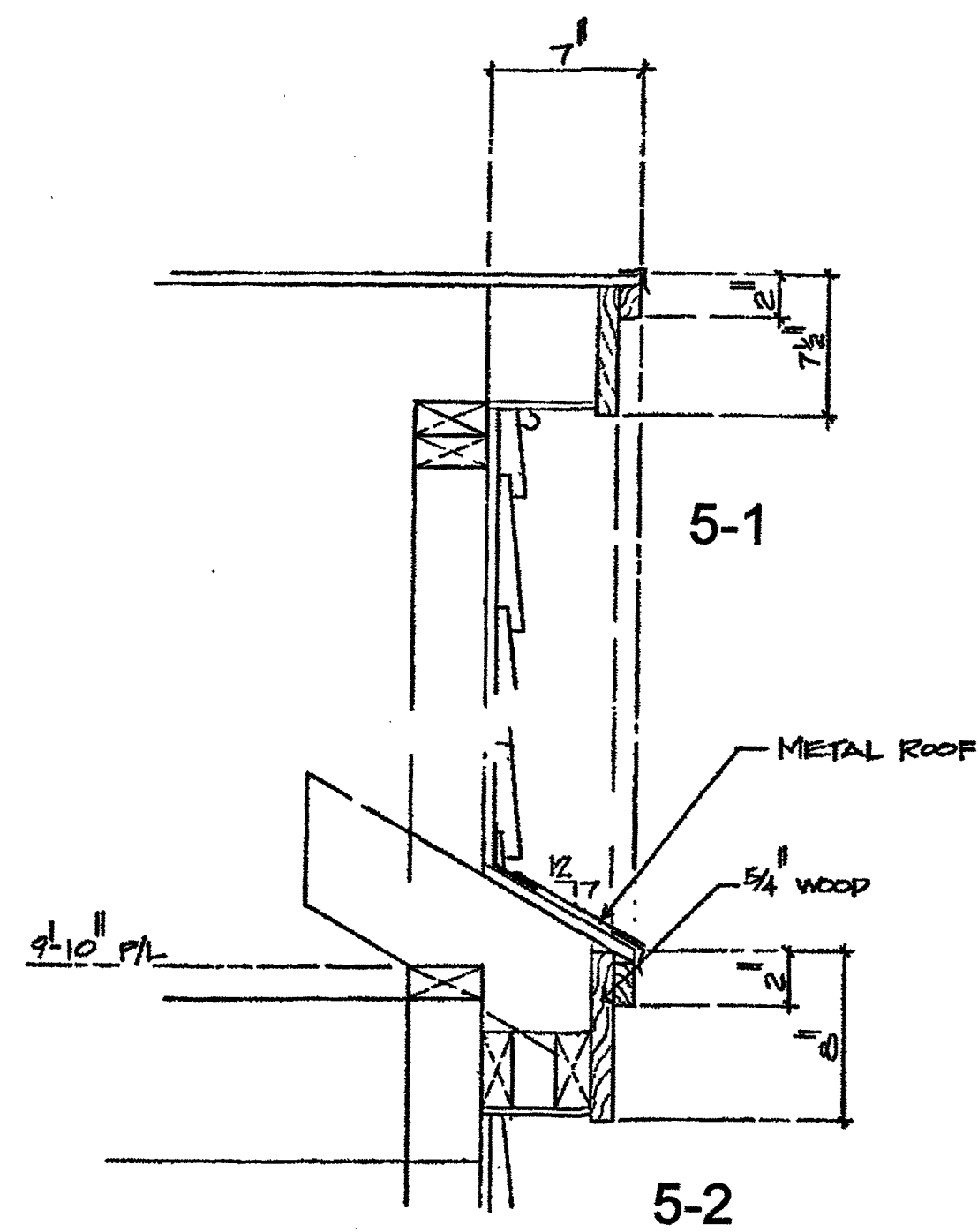
R311.8.1 Maximum slope.
Ramps shall have a maximum slope of 1 unit vertical in 12 units horizontal (8.3-percent slope).
Exception: Where it is technically infeasible to comply because of site constraints, ramps may have a maximum slope of one unit vertical in eight horizontal (12.5-percent slope).

R311.8.2 Landings required.
A minimum 3-foot-by-3-foot (914 mm by 914 mm) landing shall be provided:
1. At the top and bottom of ramps.
2. Where doors open onto ramps.
3. Where ramps change direction.

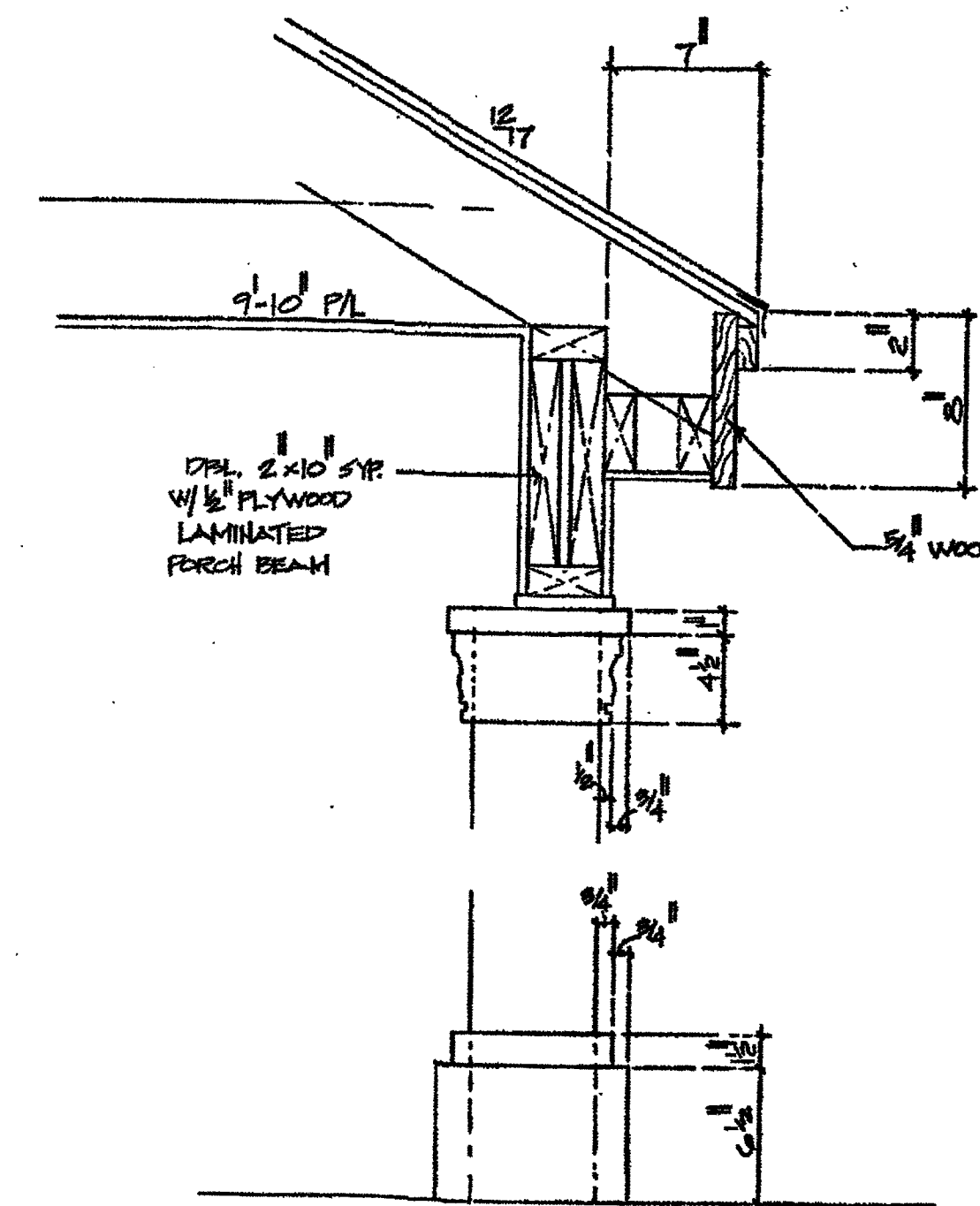
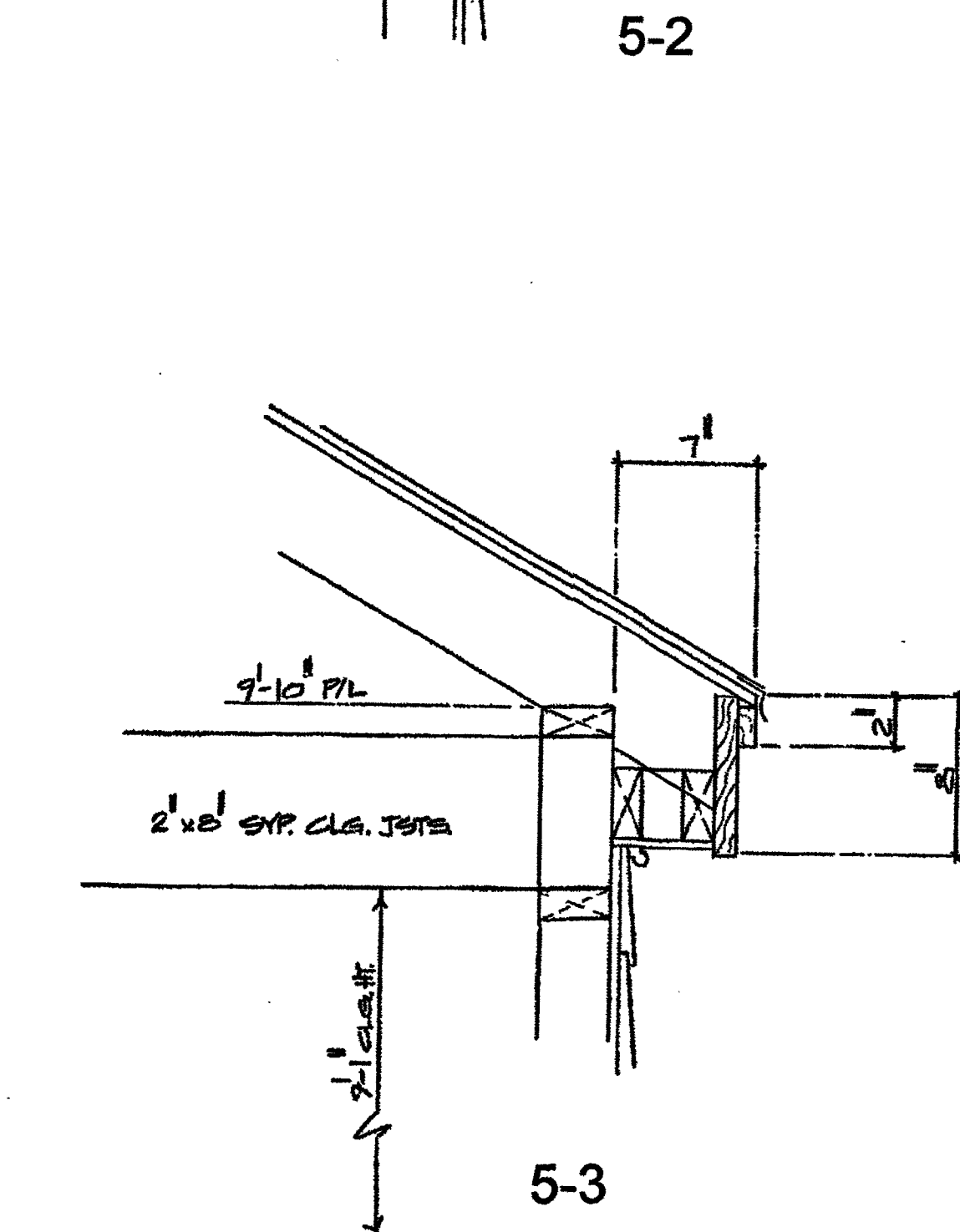
R311.8.3 Handrails required.
Handrails shall be provided on at least one side of all ramps exceeding a slope of one unit vertical in 12 units horizontal (8.33-percent slope).

R311.8.3.1 Height.
Handrail height, measured above the finished surface of the ramp slope, shall be not less than 34 inches (864 mm) and not more than 38 inches (965 mm).

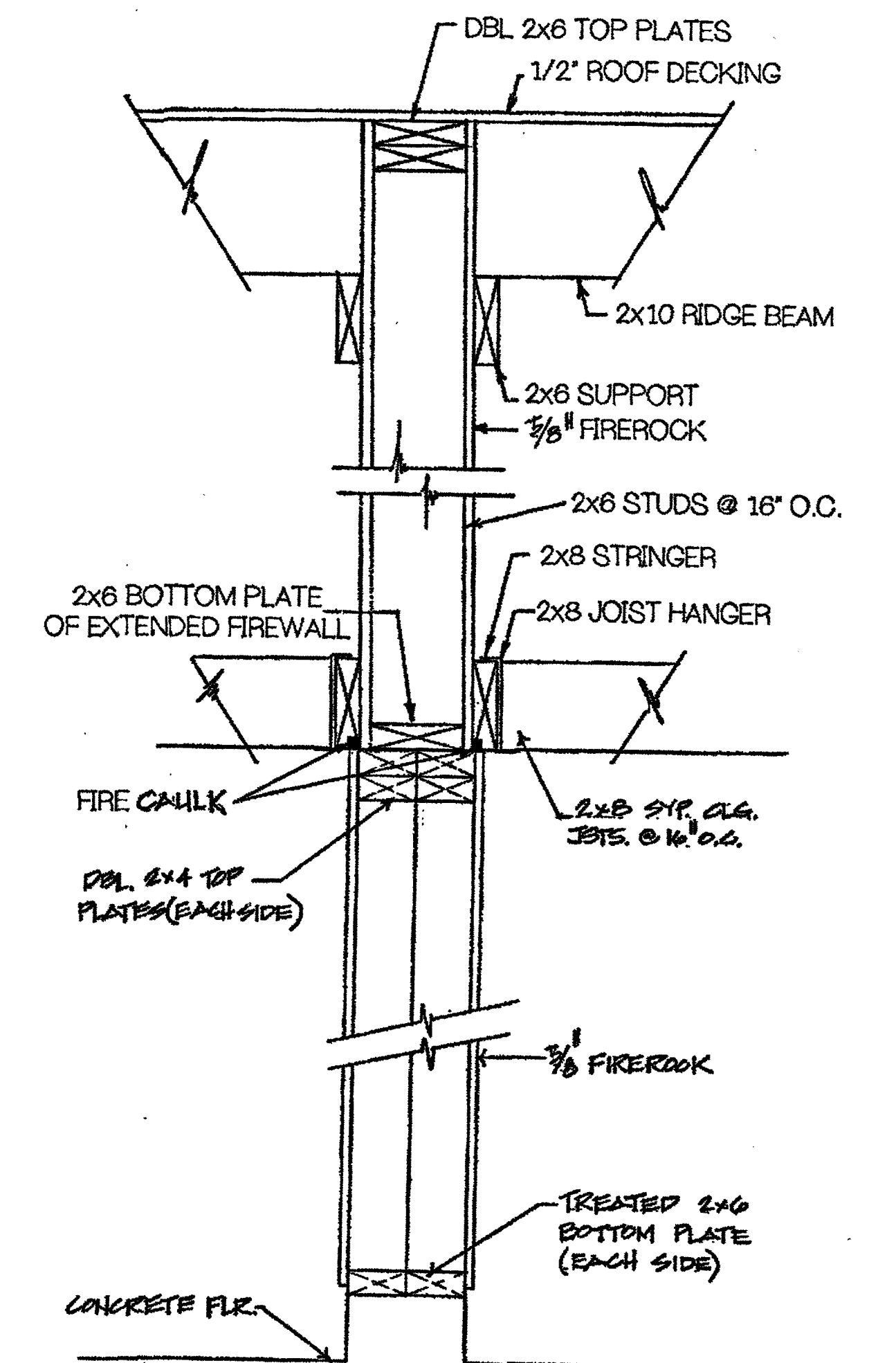
R311.8.3.2 Grip size.
Handrails on ramps shall comply with Section R311.7.8.3.



WINDOW HEAD DETAIL
5-4



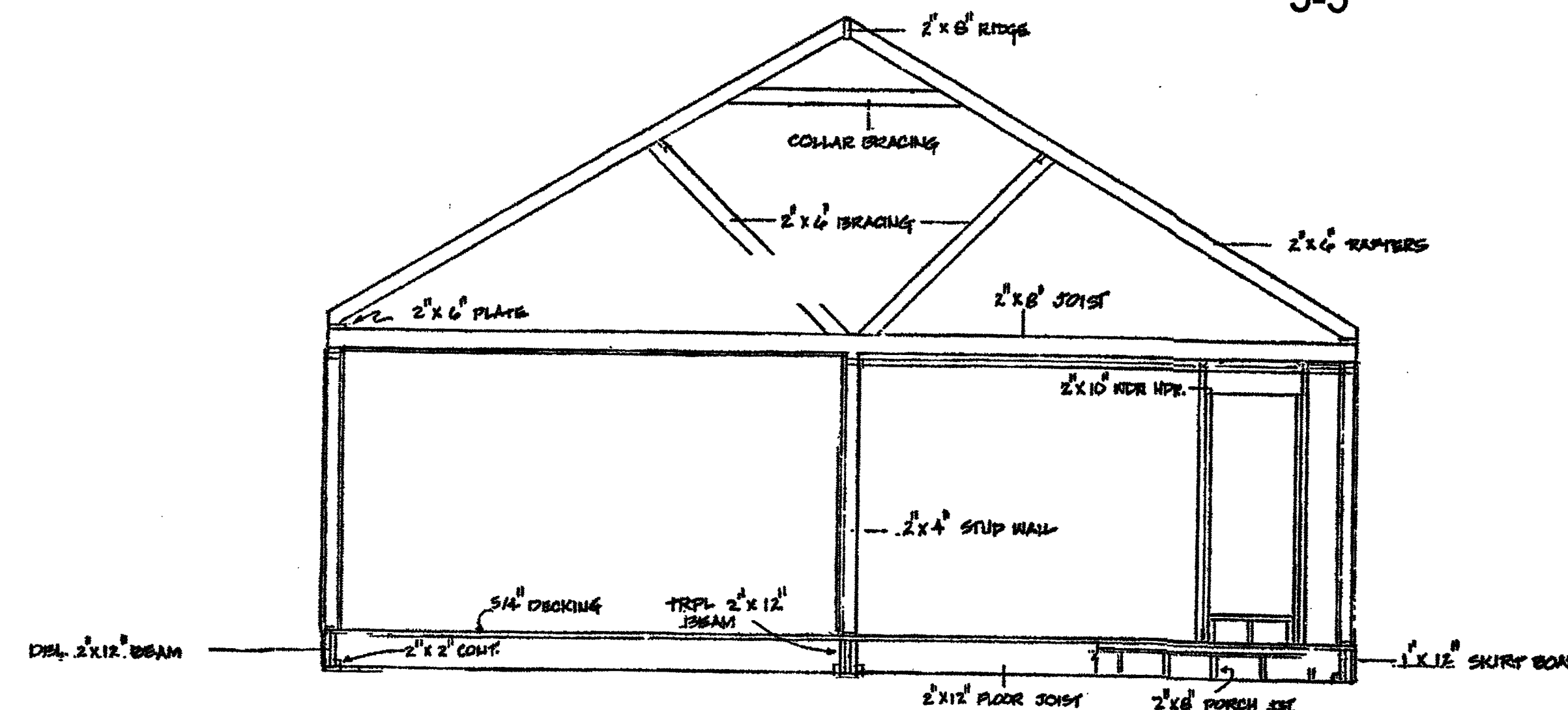
PORCH BEAM AND COLUMN DETAIL
5-5



5-6
1 HOUR FIRE WALL DETAIL

UL U305
GA WP 3605

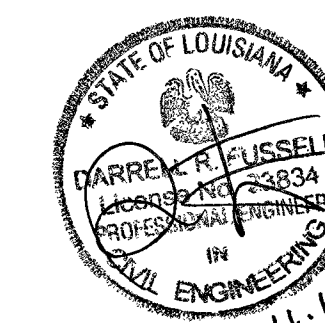
5/8" (15.9mm) Fire-Shield Gypsum Wallboard or 5/8" (15.9mm) Fire-Shield MR Board nailed both sides 2 x 4 (38 mm x 89 mm) wood studs, 16" o.c. (406mm).



CROSS SECTION
SCALE: 1/4" = 1'-0"

Residence must comply with the following Insulation Requirements as per Table N1102.1 of the 2012 IRC.
Ceilings: R - 30
Walls: R - 13
Floors: R - 13
FOUNDATION BY OTHERS

(PIER LAYOUT AND FOUNDATION BY OTHERS)



10-14-16

COPYRIGHT NOTICE
Plans: © 2016 by Andy McDonald. These plans are protected under federal copyright laws. The original purchaser of these plans is authorized to build one and only one home as shown in the plans. Reproduction by any means, modifications, or use of these plans to construct more than one home unless otherwise specifically authorized is strictly prohibited.

IMPORTANT NOTES
These plans are the sole property of Andy McDonald. All rights are reserved by the designer, and use of these plans for construction purposes, or for reproduction thereof, in whole or in part, is strictly prohibited without compensation and written permission from the designer.
Every effort has been made to insure the accuracy and correctness of these drawings. It is the responsibility of the contractor to check these plans for accuracy or error. Any discrepancy should be reported for correction prior to the onset of construction.

ANDY McDONALD
DESIGN GROUP
985.845.0098
www.andymcdonaldsdesign.com

Plan No.: 2658/2980
Scale: 1/4" Equals 1'-0"
Page No.: 5 OF 6