

DAMMON
ENGINEERING, INC.
CHIEF ENGINEER
EMMETT
DAMMON, P.E.
CHIEF ARCHITECT
ROBERT
WILTSE

1095 FLORIDA AVENUE
SLIDELL, LA, 70458
OFFICE: 985-649-5632
FAX: 985-641-5950

WEBSITE:
WWW.DAMMONENGINEERING.COM
EMAIL:
DAMMONENG@BELLSOUTH.NET

ARCHITECTURE
ENGINEERING
STUDIES
PLANNING
INVESTIGATION
EXPERT WITNESS

STRAIN RESIDENCE
LOT 31
NEW ARBOR LAKES
POPLARVILLE, MS

BELOW
GRADE
FOUNDATION
PLAN

REV.: 10-02-08

SCALE: AS NOTED

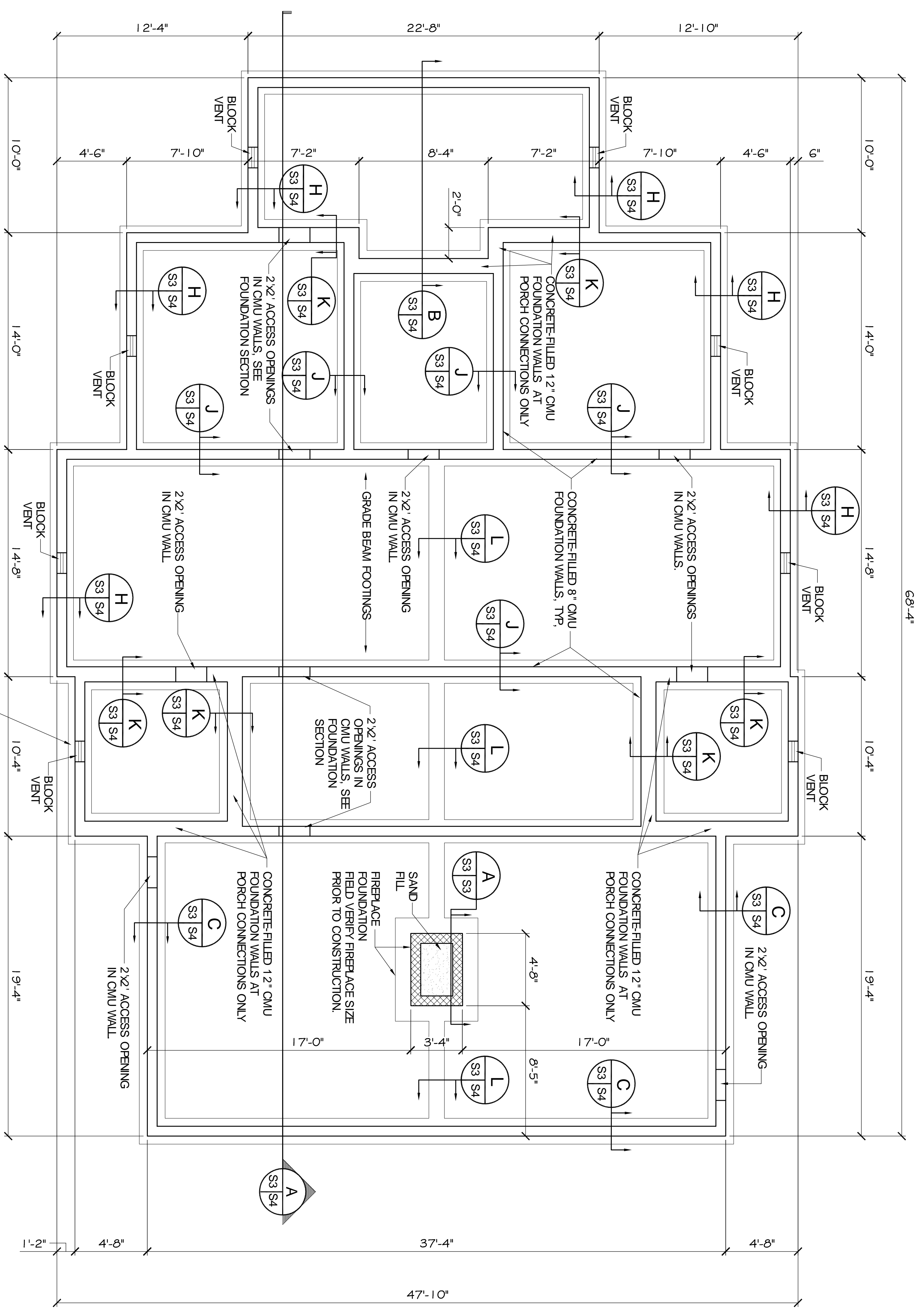
JOB#: 1990

DATE: 09-22-08

SHEET

5-3

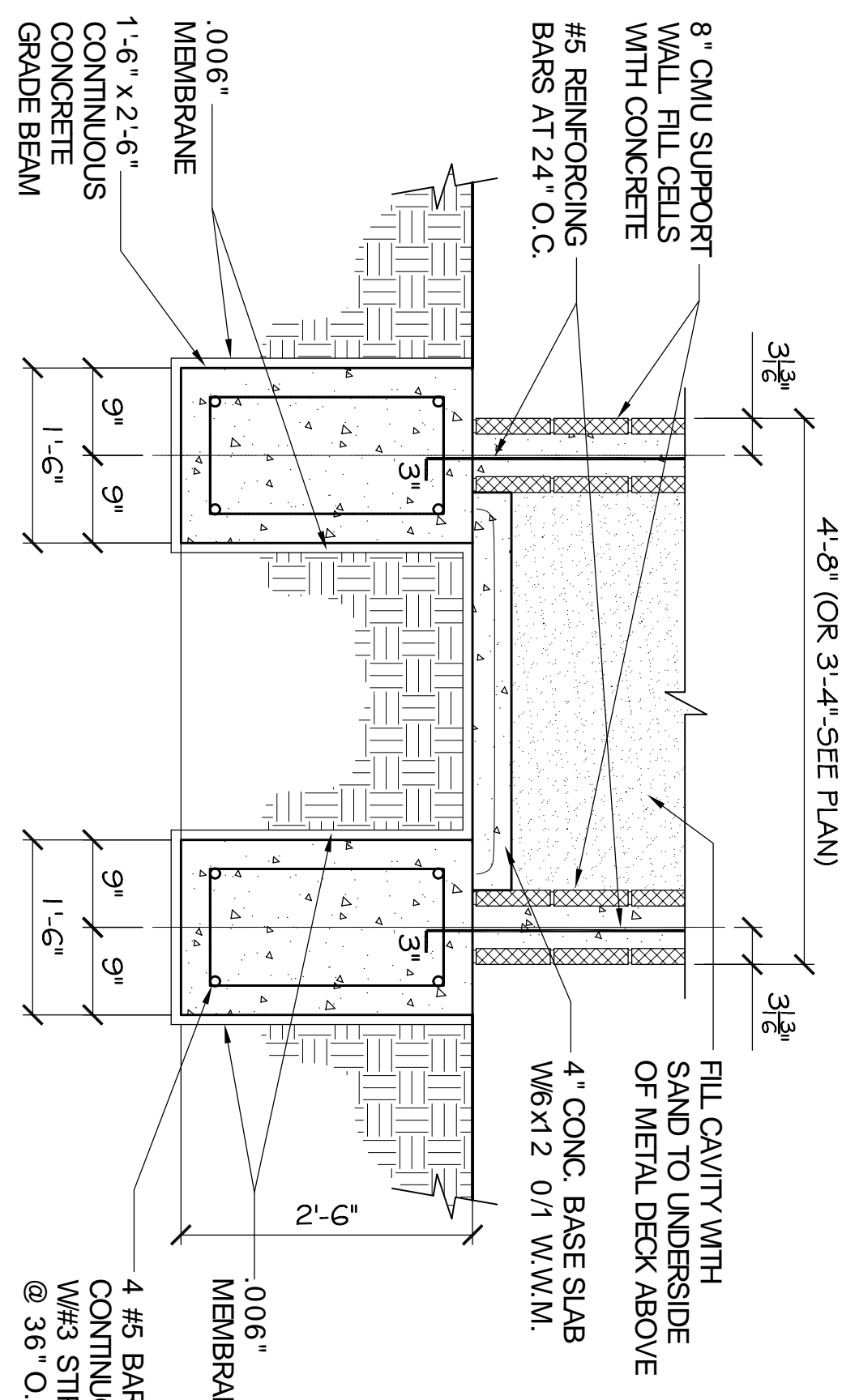
OF



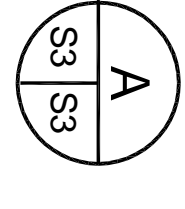
FOUNDATION PLAN BELOW GRADE
SCALE: 1/4" = 1'

NOTE: SEE SHEET S-4 FOR TYP. BLOCK VENT SECTION/DETAIL

- NOTES:**
1. CONTRACTOR SHALL FIELD VERIFY ALL DIMENSIONS & DEPRESSIONS PRIOR TO COMMENCING WORK.
 2. MUCK OUT 24" DEEP FOR FOUNDATION PAD MINIMUM OR TO UNDISTURBED SOIL CAPABLE OF 1500 PSF BEARING.
 3. FILL SHALL BE INSTALLED IN 6" LIFTS AND COMPACTED TO 95% PROCTOR.
 4. TREAT SOIL BELOW SLAB FOR TERMITES.
 5. CONCRETE MIX SHALL BE 3000 PSI, MINIMUM.
 6. NO FIELD SUPERVISION OR INSPECTION PROVIDED UNDER THIS SEAL UNLESS NOTED OTHERWISE.
 7. THIS FOUNDATION IS DESIGNED TO MEET THE SOIL CONDITIONS AS DESCRIBED IN THE SOILS REPORT BY BURNS, COOLEY, AND DENNIS, INC., DATED 12-14-07.



FIREPLACE FOUNDATION SECTION
SCALE: 3/4" = 1'-0"



4 #5 BARS
CONTINUOUS
W/ #3 STIRRUPS
@ 36" O.C.