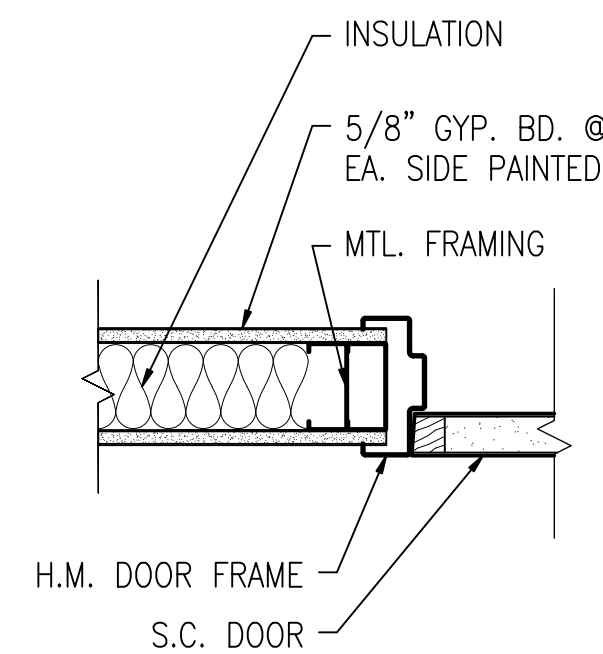
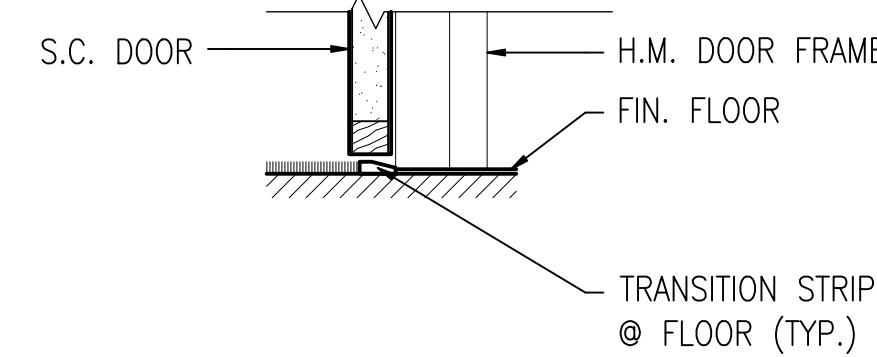


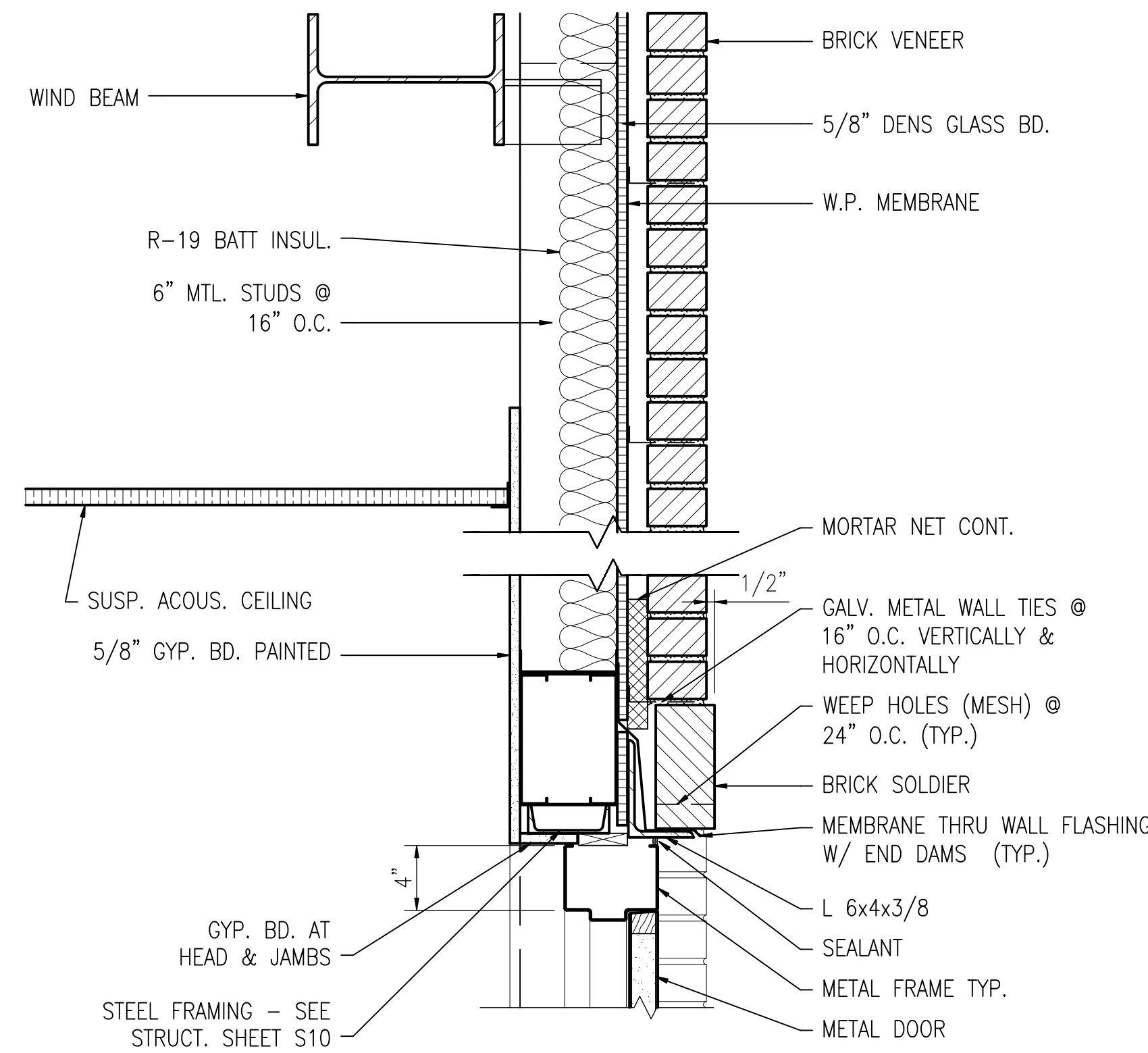
DOOR DETAIL - HEAD
SCALE: 1 1/2" = 1'-0"
A-14 **D10**



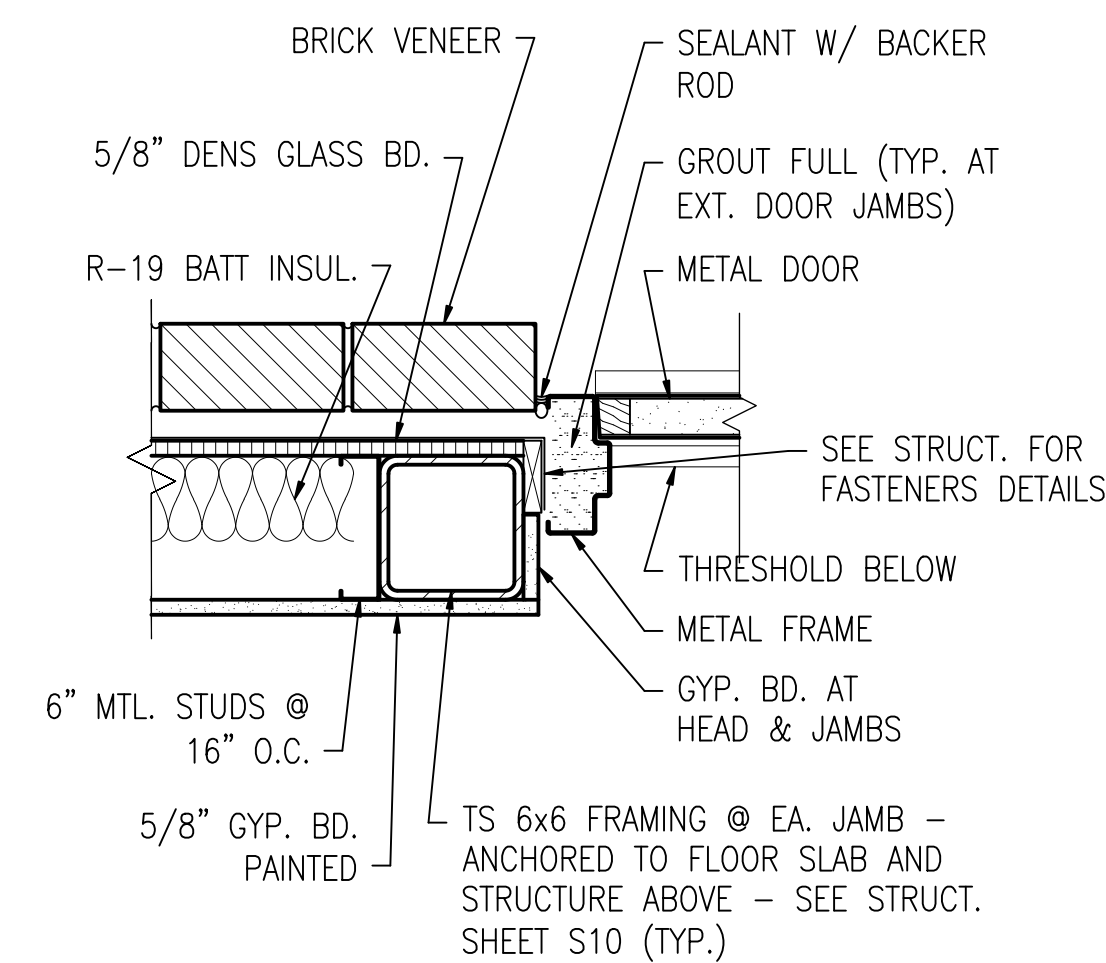
DOOR DETAIL - JAMB
SCALE: 1 1/2" = 1'-0"
A-14 **D11**



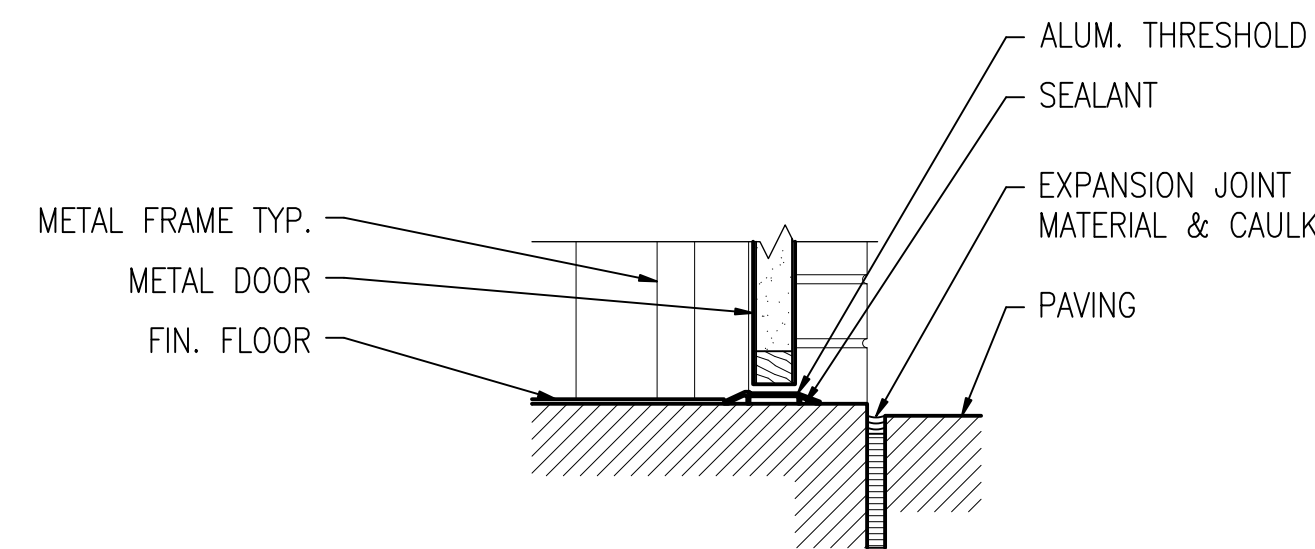
DOOR DETAIL - SILL
SCALE: 1 1/2" = 1'-0"
A-14 **D12**



DOOR DETAIL - HEAD
SCALE: 1 1/2" = 1'-0"
A-14 **D13**



DOOR DETAIL - JAMB
SCALE: 1 1/2" = 1'-0"
A-14 **D14**



DOOR DETAIL - THRESHOLD
SCALE: 1 1/2" = 1'-0"
A-14 **D15**

BROADMOOR
BUILDING by DESIGN
BROADMOOR, L.L.C.
2740 North Amcott Road
Metairie, Louisiana 70002
www.broadmoorllc.com

REV.	DESCRIPTION	DATE	APPROVED
0	FINAL DESIGN	07/29/09	P.S.

N/S JRB New Orleans
Belle Chasse, Louisiana
NAVAIRSEFAC CALIBRATION BLDG.
DOOR DETAILS
DATE: AUGUST 23, 2008
EFD FOR COMMANNER, NAVFAC

NAVFAC
Naval Facilities Engineering Command
Southeast Division, Jacksonville, FL

ISSUED BY:
Waldemar S. Nelson & Co.
FINAL DESIGN
29 / OCT / 2009

RECORD DRAWING DATE	05/27/09
CODE I.D. NO.	-
DRAWING SIZE	D
SPEC. NO. 06-	-
CONSTR. CONTR. NO.	-
NAVFAC DRAWING NO.	150.309.13
SHEET 25 OF	26

Nelson WALDEMAR S. NELSON AND COMPANY
ENGINEERS AND ARCHITECTS
1200 ST. CHARLES AVE. NEW ORLEANS, LA.

A-14.2