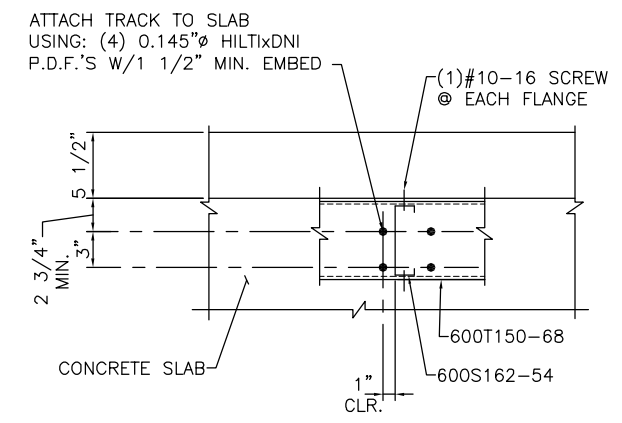
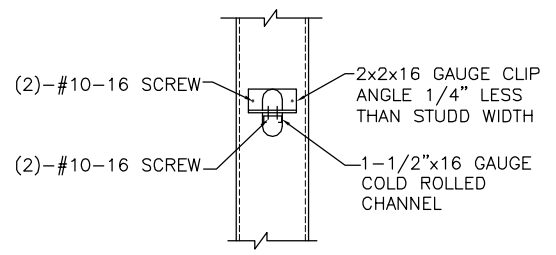


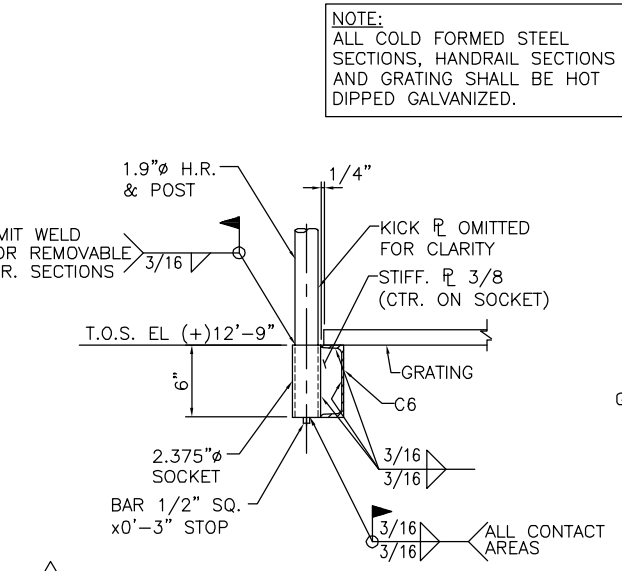
MEZZANINE PLAN
1/4" = 1'-0"



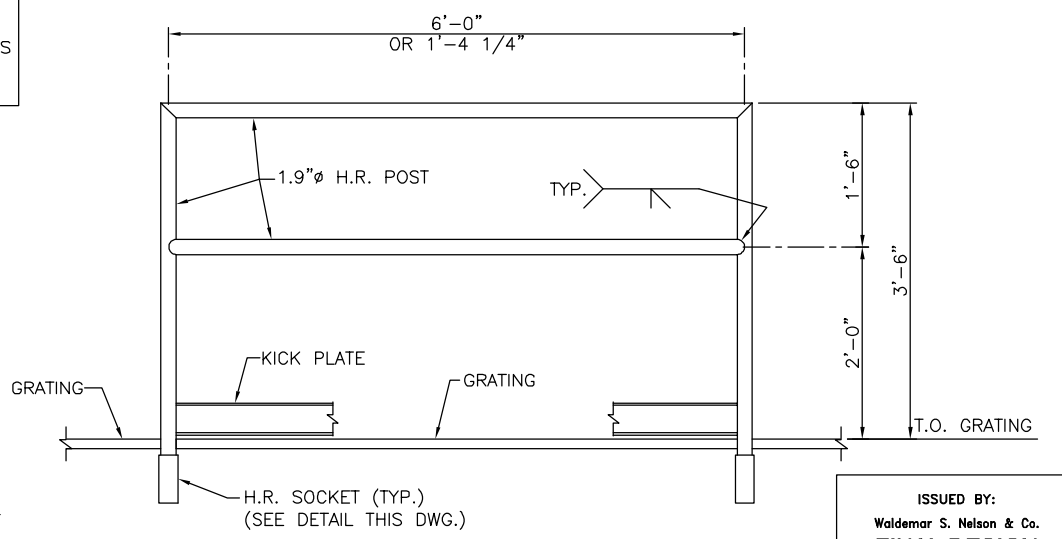
DETAIL 1
1 1/2" = 1'-0"



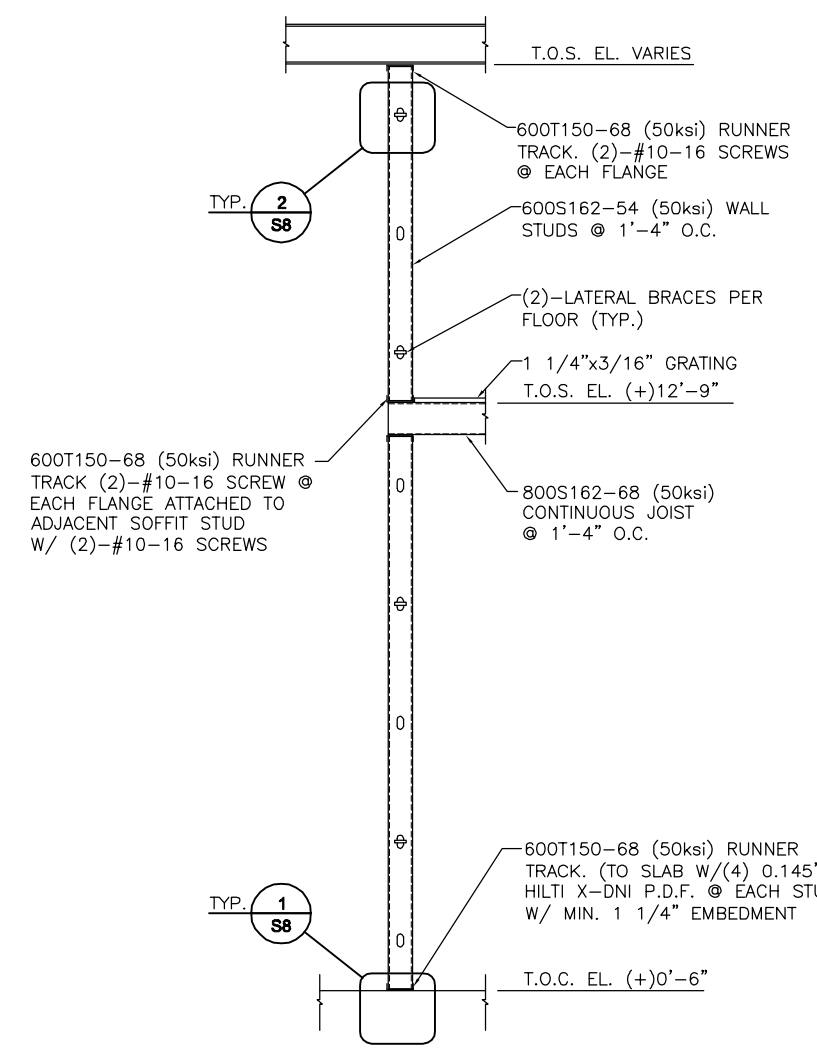
DETAIL 2
1 1/2" = 1'-0"



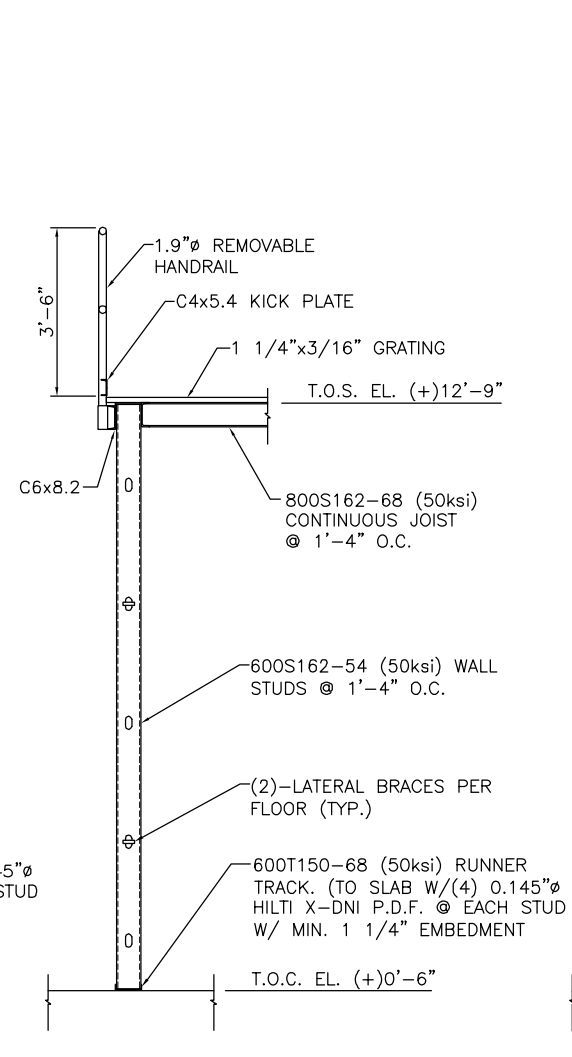
HANDRAIL SOCKET DETAIL
1 1/2" = 1'-0"



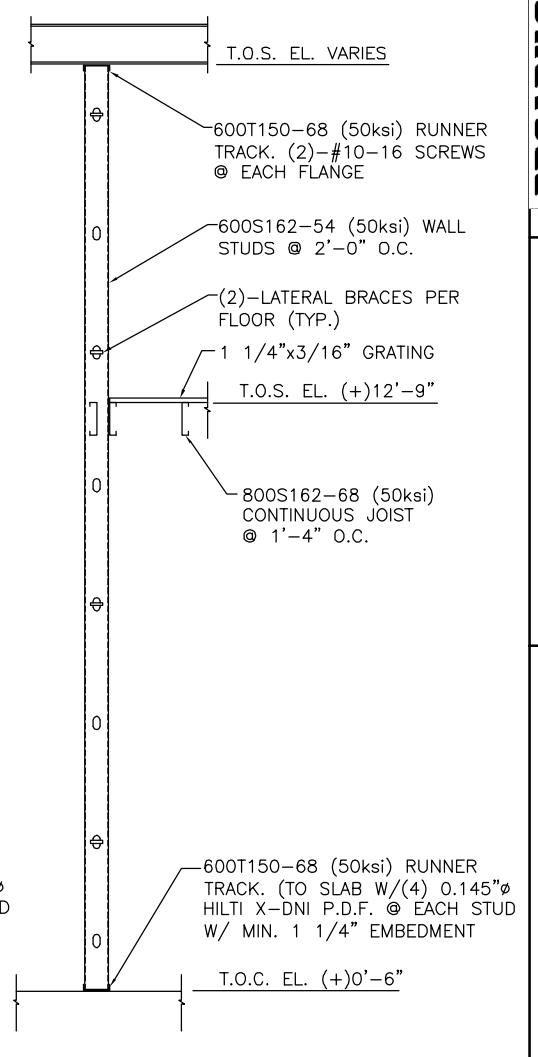
HANDRAIL SECTION
1" = 1'-0"



SECTION A
1/2" = 1'-0"



SECTION B
1/2" = 1'-0"



SECTION C
1/2" = 1'-0"

NOTE:
ALL COLD FORMED STEEL SECTIONS, HANDRAIL SECTIONS AND GRATING SHALL BE HOT DIPPED GALVANIZED.

REV.	DESCRIPTION	DATE	APPROVED
0	FINAL DESIGN	10/29/09	LN

NAVAIRSEFAC CALIBRATION BLDG.
STRUCTURAL MEZZANINE
PLAN AND DETAILS

Belle Chasse, Louisiana
MAS JRB New Orleans

DATE: _____
ED FOR COMMANDER, NAVFAC



ISSUED BY:
Waldemar S. Nelson & Co.
FINAL DESIGN
29 /OCT /2009

WALDEMAR S. NELSON AND COMPANY
REGISTERED ENGINEERS AND ARCHITECTS
1200 ST. CHARLES AVE NEW ORLEANS, LA.

RECORD DRAWING DATE	3/18/09
CODE ID. NO.	-
DRAWING SIZE:	D
SPEC. NO. 06-	-
CONSTR. CONTR. NO.	N62467-
NAVFAC DRAWING NO.	15030883
SHEET	10 OF 12