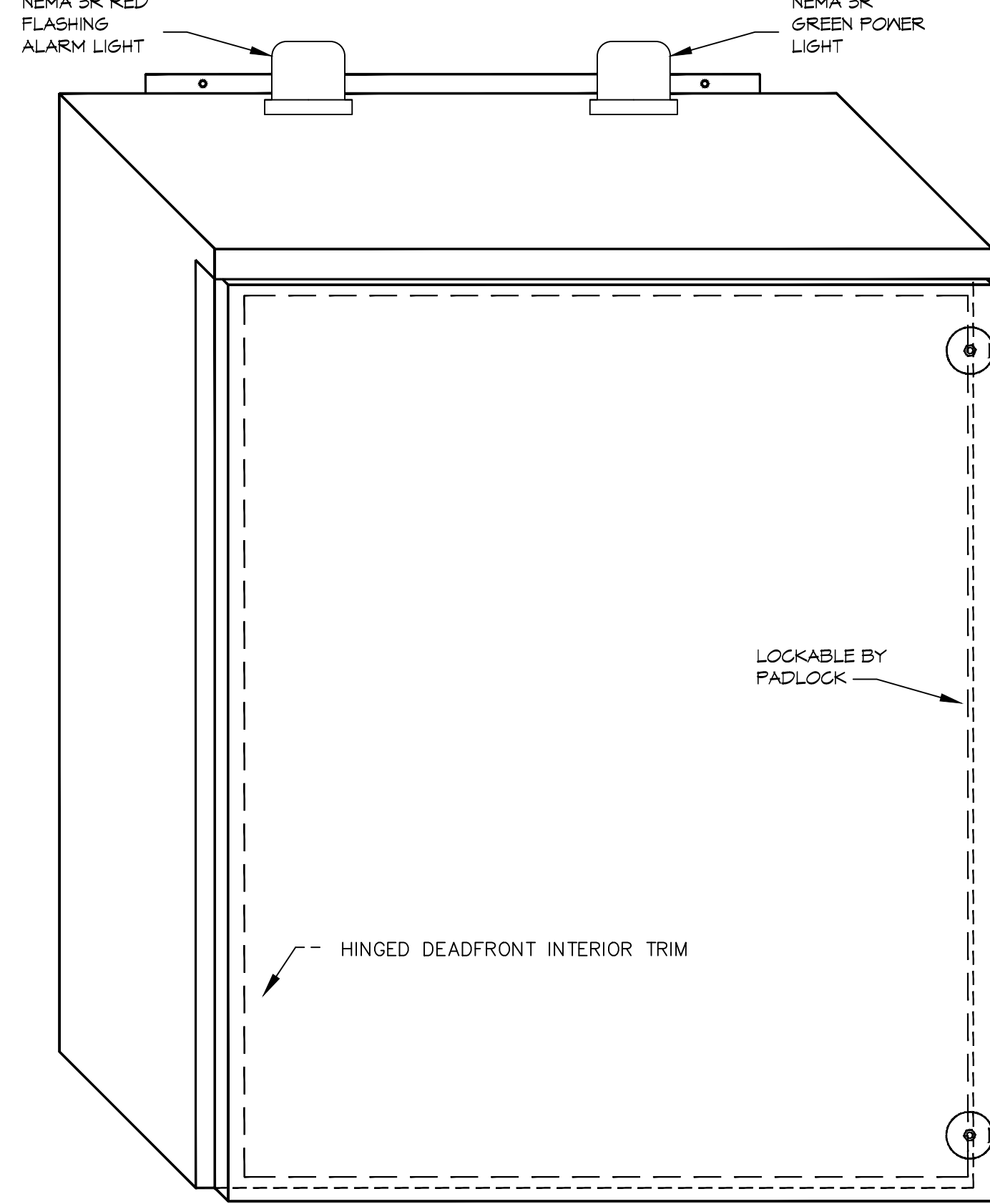
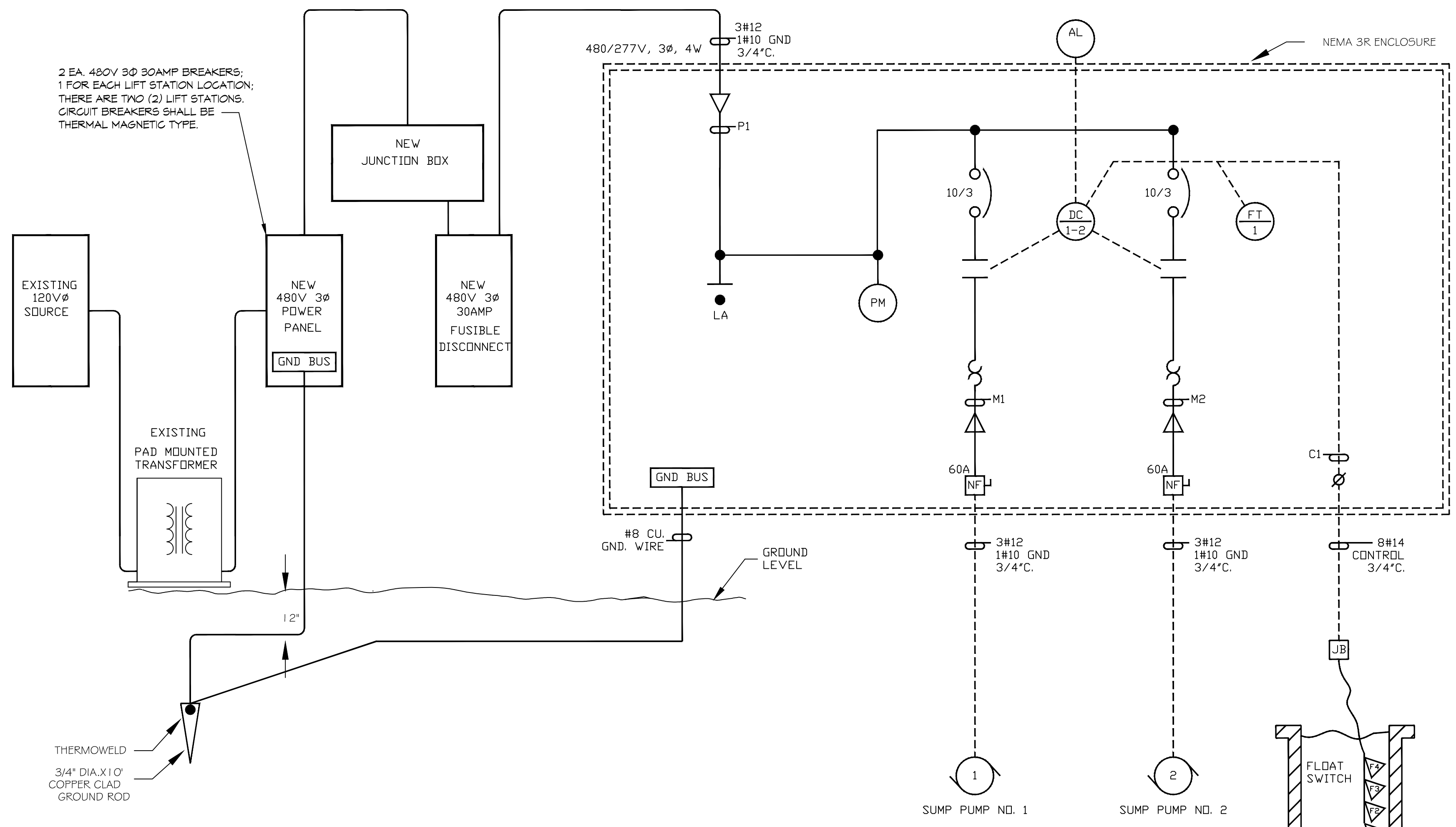


**LIFT STATION CONTROL PANEL ENCLOSURE DETAIL**



NEMA 3R ENCLOSURE  
(24"H x 24"W x 8"D)  
OR OTHER APPROVED PRE-DESIGNED  
MANUFACTURE ENCLOSURE

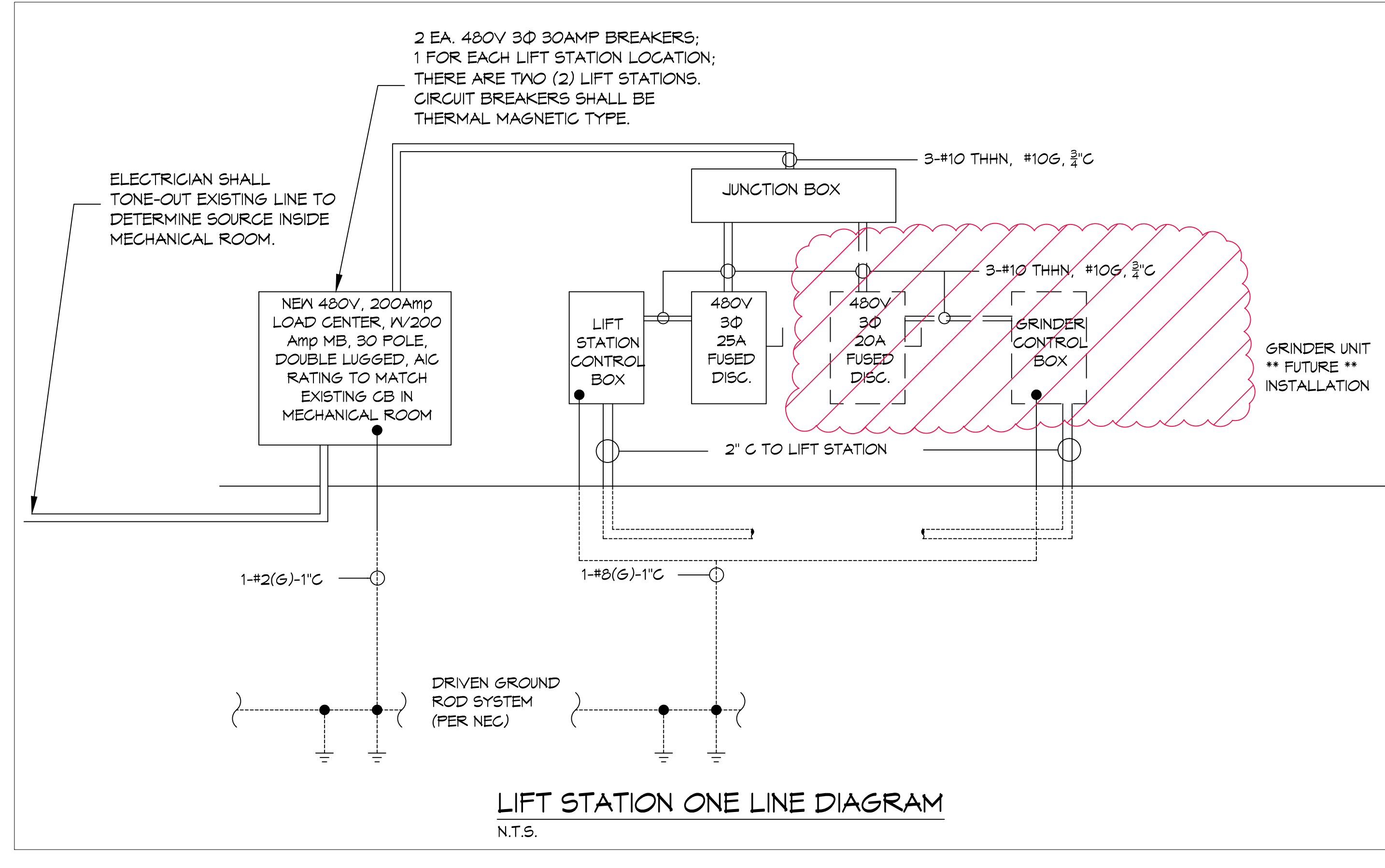
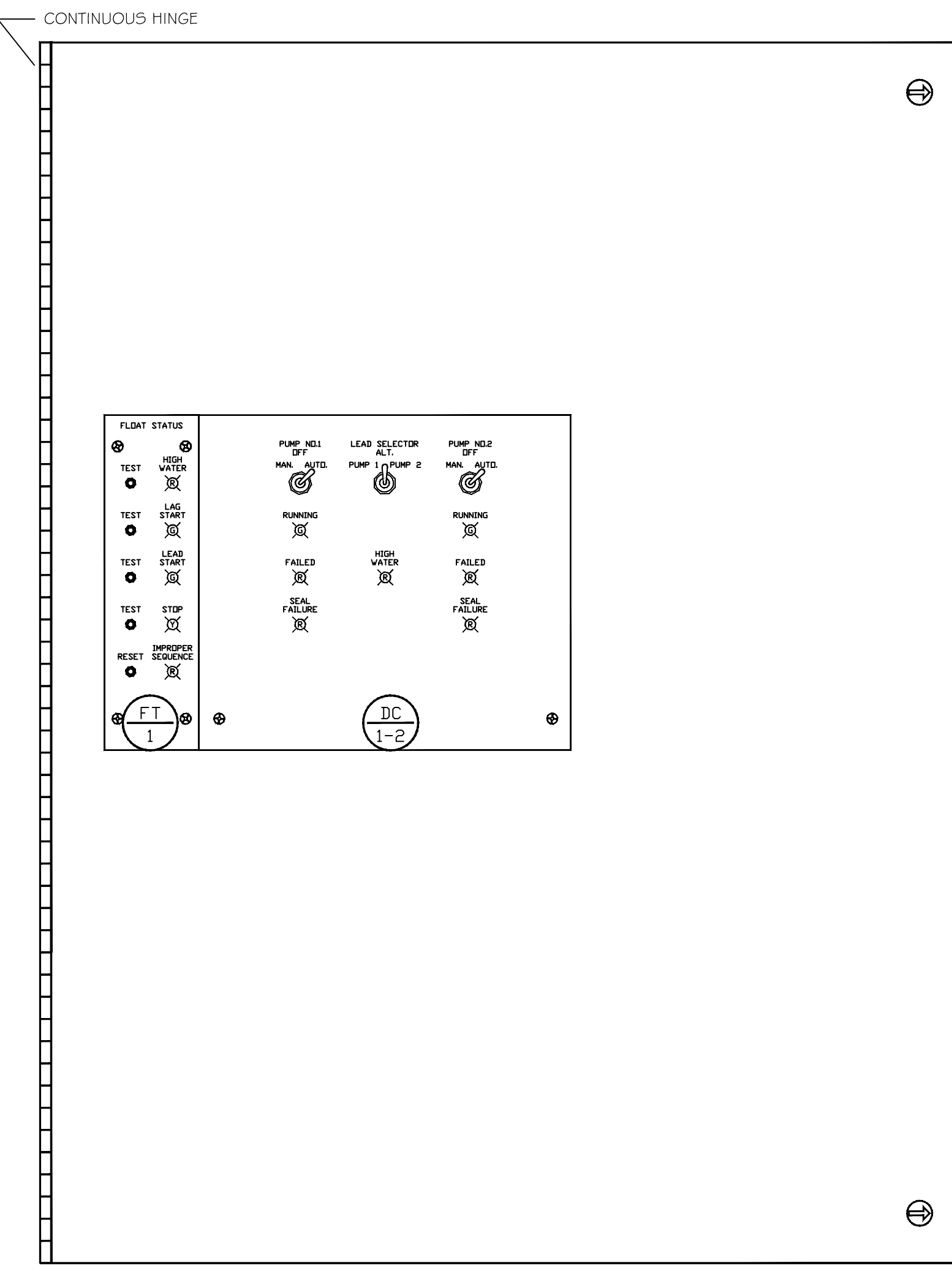
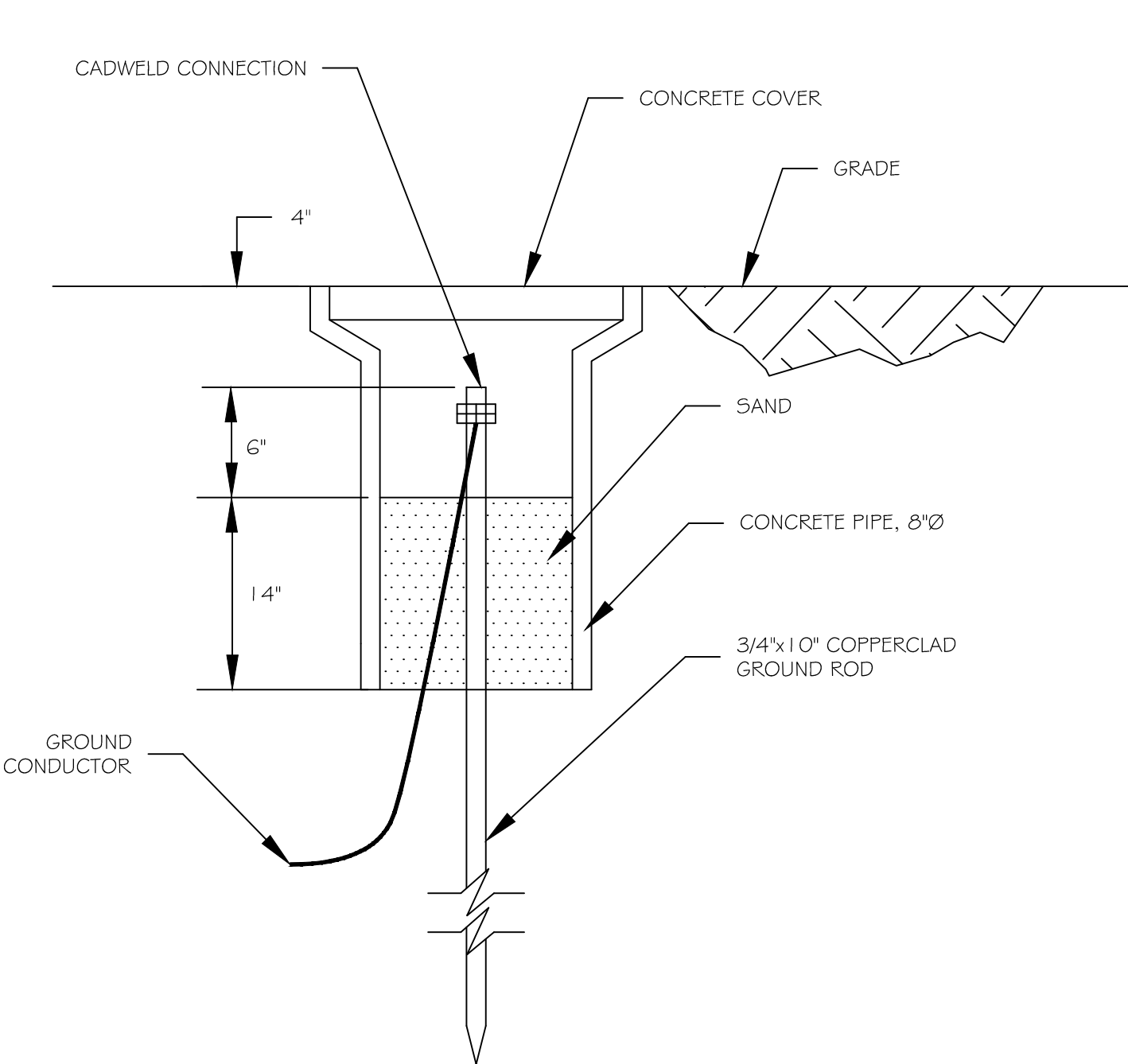


**CONTROL PANEL DEADFRONT DETAIL**

**LIFT STATION CONTROL PANEL ONE LINE POWER DIAGRAM AND PROCESS AND INSTRUMENTATION DIAGRAM (P&ID)**

- LEGEND**
- LA LIGHTNING ARRESTOR
  - PM PHASE MONITOR
  - DC DUPLEX CONTROLLER
  - FT FLOAT TEST
  - AL ALARM LIGHT

**GROUND WELL DETAIL**



**LIFT STATION ONE LINE DIAGRAM**  
N.T.S.

**AS-BUILT**

SEAL:

SEWER SYSTEM RENOVATION;  
PROJECT NUMBERS: 08-408-11-01 PART 1 &  
08-409-04B-01, PART 20 & 01-107-06B-11, PART U7  
**BRIDGE CITY CENTER FOR YOUTH**  
9225 RIVER ROAD  
BRIDGE CITY, LA 70094  
JOB No: 2156 DATE: 9/26/2019  
DRAWN BY: CHECKED BY:

SHEET TITLE:  
**LIFT STATION CONTROLS**

DRAWING NUMBER:  
**E2**