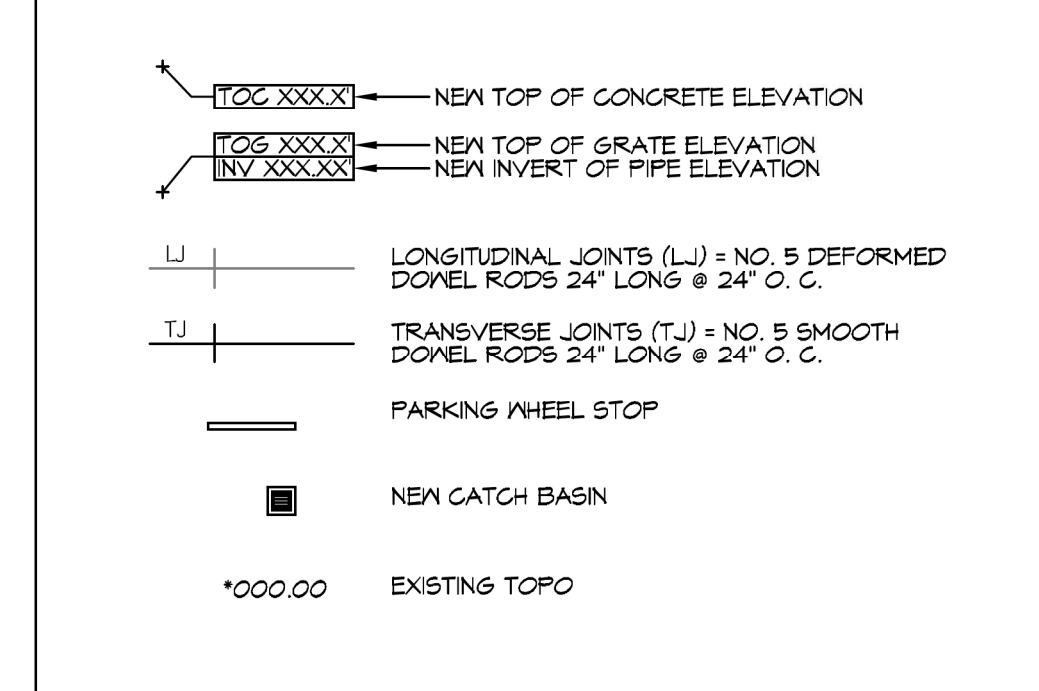


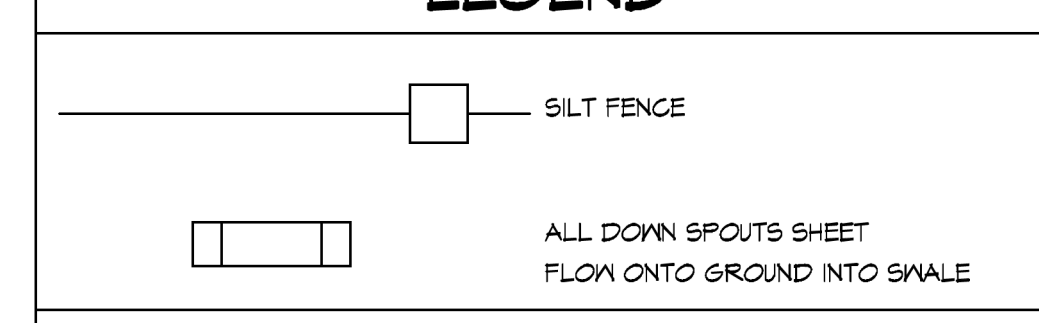
GENERAL PAVING NOTES

1. ALL NEW CONCRETE SHALL HAVE A MINIMUM COMPRESSIVE STRENGTH OF 4,000 PSI AT 28 DAYS AND A MINIMUM THICKNESS OF 6". CONCRETE MIX SHALL BE IN ACCORDANCE WITH THE LATEST REVISION OF ASTM C-150 TYPE 1.
2. ALL REINFORCING STEEL SHALL MEET ASTM-A615 (GRADE 60).
3. ALL REINFORCING STEEL SHALL BE SECURELY SUPPORTED TO PREVENT BOTH VERTICAL AND HORIZONTAL MOVEMENT DURING CONCRETE PLACEMENT. ALL CONTROL AND EXPANSION JOINTS SHALL BE LOCATED AND INSTALLED AS SHOWN ON THE PAVING PLAN AND IN ACCORDANCE WITH THE MANUFACTURER'S RECOMMENDATIONS.
4. ALL SUB GRADE FILL SHALL BE SELECT GRANULAR MATERIAL COMPACTED TO 95% STANDARD PROCTOR DENSITY IN A MAXIMUM OF 6" LIFTS.
5. ANY WORK WITHIN THE ROADWAY OR ADJACENT TO THE ROADWAY CAUSING AN INTERFERENCE TO VEHICULAR TRAFFIC MUST CONFORM TO THE REQUIREMENTS SET FORTH BY THE UNIFORM MANUAL OF TRAFFIC CONTROL DEVICES OF THE STATE OF LOUISIANA. THE CONTRACTOR MUST FURNISH ALL NECESSARY TRAFFIC SIGNS AND/OR BARRICADES AND MAINTAIN THEM DURING CONSTRUCTION ACTIVITY.

PAVING LEGEND



STORMWATER CONTROL LEGEND

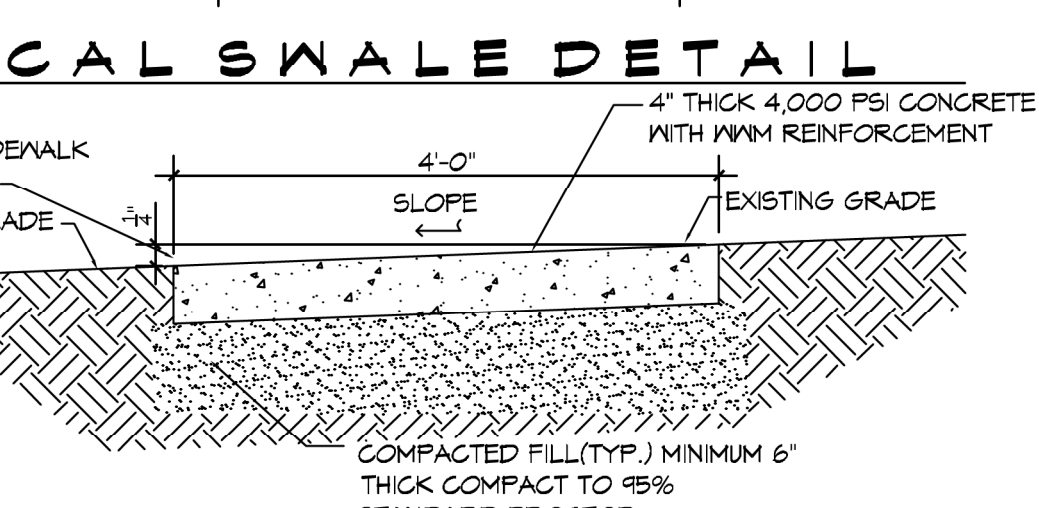
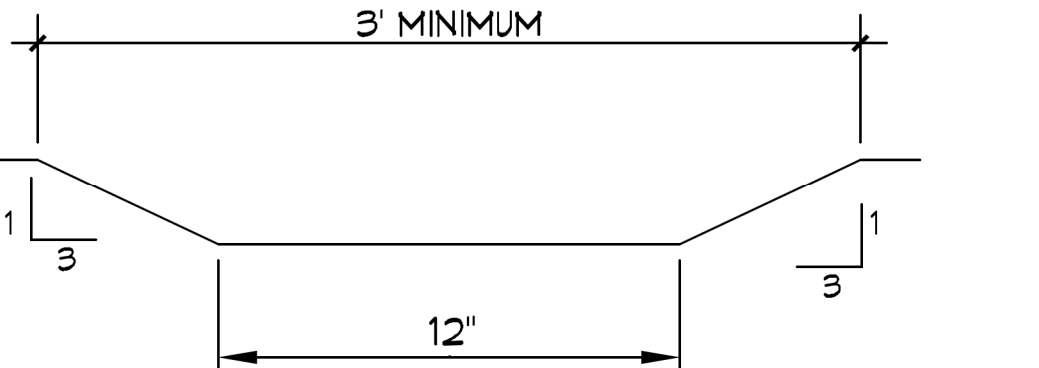


STORMWATER

- 1) ALL PERMEABLE PAVING INSTALLATIONS SHALL BE SUBJECT TO INFILTRATION TESTING AFTER INSTALLATION. TESTING SHALL BE CONDUCTED ACCORDING TO ASTM INTERNATIONAL C1101 OR C1181 STANDARDS, AS APPROPRIATE. ALL TYPES OF PERMEABLE PAVEMENT SHALL MAINTAIN A MINIMUM INFILTRATION RATE OF 200 INCHES PER HOUR.
- 2) DESIGNING PLANTING AREAS, ESPECIALLY THOSE BY PASSING TREATMENT SYSTEMS, TO ENCOURAGE INFILTRATION TO THE DEGREE POSSIBLE.
- 3) IN ORDER TO ENCOURAGE INFILTRATION OF STORMWATER AND TO MINIMIZE THE MIGRATION OF SEDIMENTS, THE FINISHED GRADE FOR ALL LANDSCAPING AREAS SHALL BE SET 3/4" MINIMUM BELOW SURROUNDING HARDSCAPE CONTAINMENTS (CURBING, SIDEWALKS, FOUNDATIONS ETC.). THIS STANDARD MAY BE WAIVED IF NECESSARY TO PROMOTE THE PRESERVATION OF TREES SHOWN AS SUCH.
- 4) PURSUANT TO BUILDING CODE SECTION 1211.1, PRIOR TO ISSUANCE OF A CERTIFICATE OF OCCUPANCY, POST CONSTRUCTION CERTIFICATION INCLUDING AS-BUILT DRAWINGS, AFFIDAVIT FROM DESIGNERS, AND PERFORMANCE BOND BASED UPON THE ACTUAL COST OF CONSTRUCTION MUST BE SUBMITTED FOR APPROVAL. AFTER FINAL INSPECTION THESE DOCUMENTS MUST BE RECORDED WITH THE CIVIL DISTRICT CLERK COURT.

HARD & GREEN SPACE

EXISTING AREA = 14,313 SQ. FT.
 BUILDING AREA = 6,017 SQ. FT.
 PERMEABLE PAVING AREA = 1,415 SQ. FT.
 SIDEWALKS & HANDICAP AREA = 1,065 SQ. FT.
 GREEN AREA = 5,816 SQ. FT.
 TOTAL AREA = 14,313.00 SQ. FT.



DAMMON ENGINEERING, INC.
 LOUISIANA & MISSISSIPPI
 Chief Engineer: Brian Mitchell, PE
 554 Old Spanish Trail
 Slidell, LA 70688
 www.dammonengineering.com
 info@dammonengineering.com
 PH: 852.647.3522

DATE	REVISIONS	DESCRIPTION



NEW ORLEANS ASSOCIATION OF FIRE FIGHTERS
 NEW FACILITY
 5710 GENERAL HAYS STREET
 NEW ORLEANS, LA 70124
 JOB No: 2433 DATE: 3/25/2021
 DRAWN BY: CAD CHECKED BY: CAD

SHEET TITLE: PAVING & DRAINAGE PLAN
 DRAWING NUMBER: **C100**
 SHEET No: 1 of 1