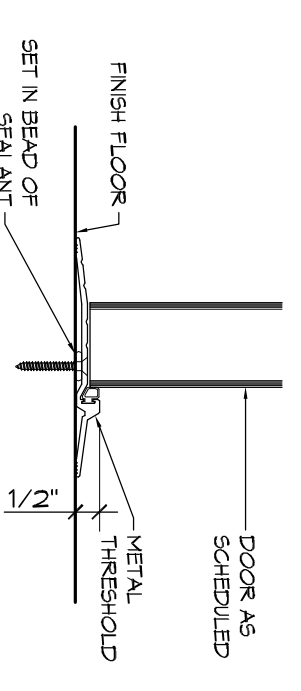
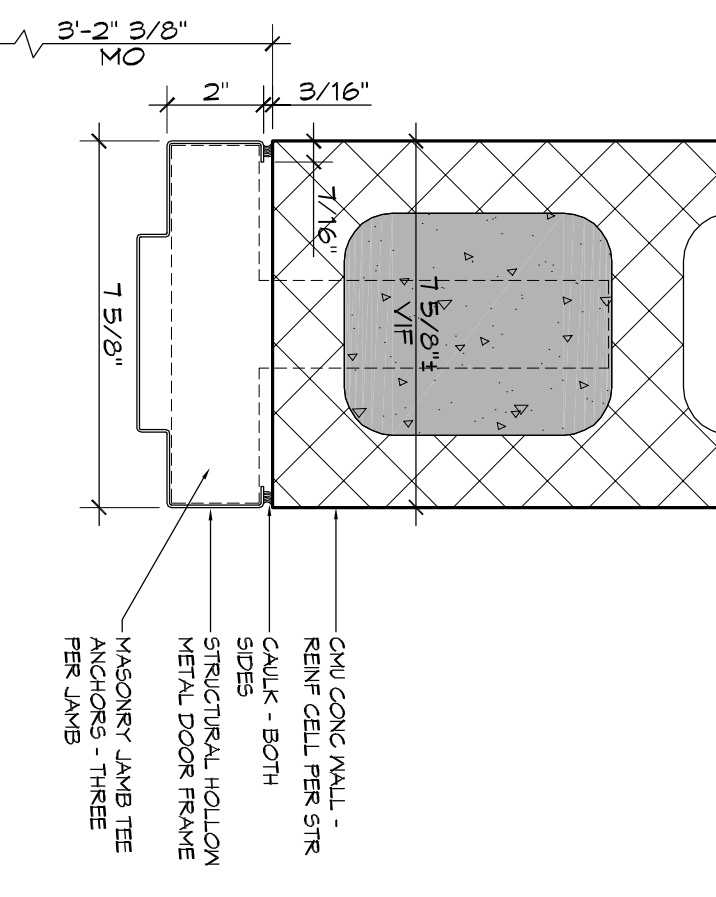


DOOR SCHEDULE								
NO	SIZE	TYPE	DOOR MATERIAL	FRAME MATERIAL	FRAME TYPE	FR	HMR	REMARKS
102A	3'-0" X 7'-0" X 1/4"	F	GALV MTL	HOLLOW METAL	F1	NS	01	
103A	3'-0" X 7'-0" X 1/4"	F	GALV MTL	HOLLOW METAL	F1	NS	01	
104A	3'-0" X 7'-0" X 1/4"	F	GALV MTL	HOLLOW METAL	F1	NS	01	

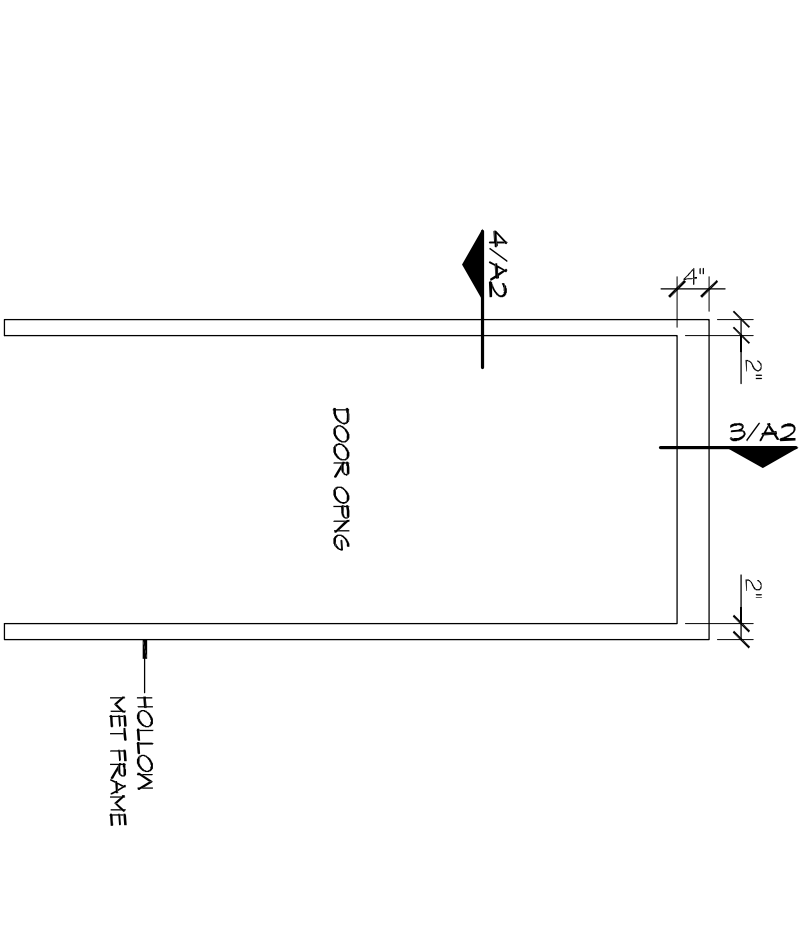
FINISH SCHEDULE						
RM #	ROOM NAME	FLOOR	WALLS	CEILING	CLNG HGT	REMARKS
101	FOYER	PAINTED CONG	PTD CMU	PTD OSB PLYWOOD	10'-1"	
102	TABLES & CHAIRS	PAINTED CONG	PTD CMU	PTD OSB PLYWOOD	10'-1"	
103	MEN'S TOILET	PAINTED CONG	PTD CMU	PTD OSB PLYWOOD	10'-1"	
104	WOMEN'S TOILET	PAINTED CONG	PTD CMU	PTD OSB PLYWOOD	10'-1"	



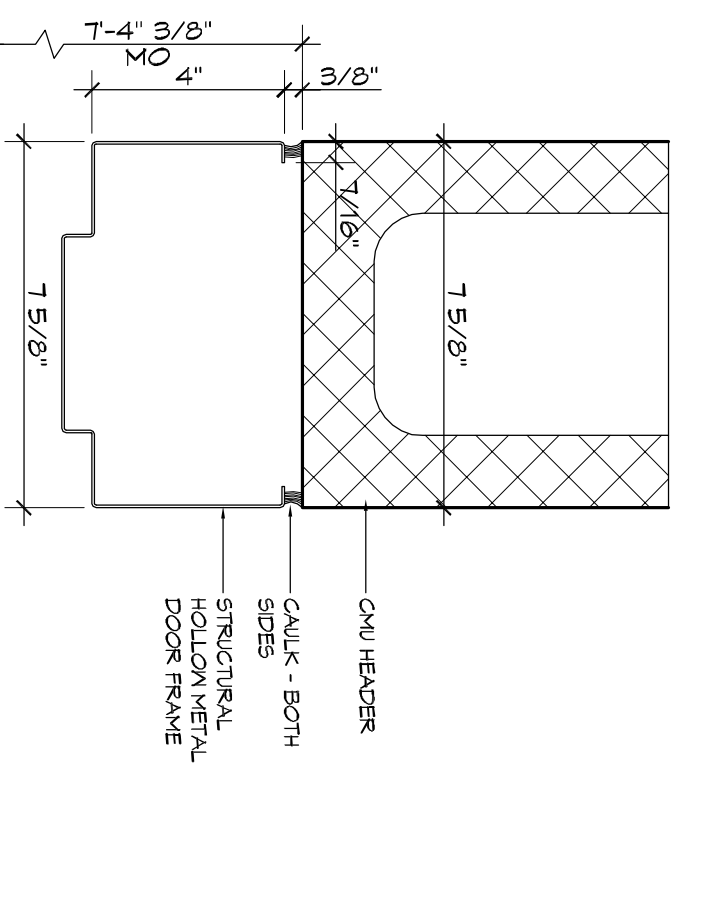
3 DOOR DETAIL
THRESHOLD
SCALE: 3" = 1'-0"



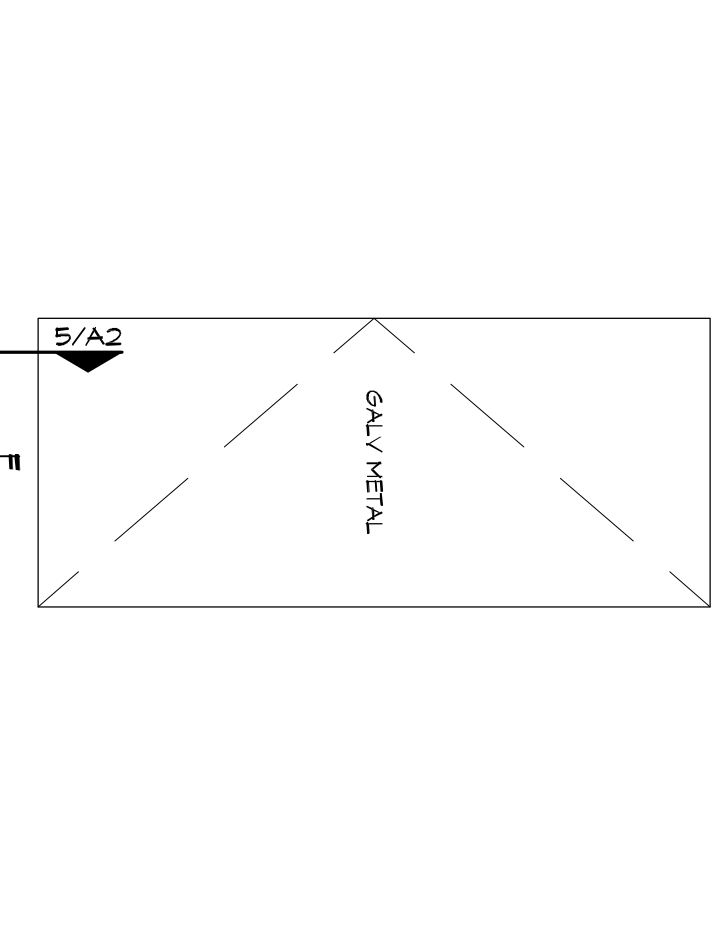
4 DOOR DETAIL
DOOR JAMB
SCALE: 3" = 1'-0"



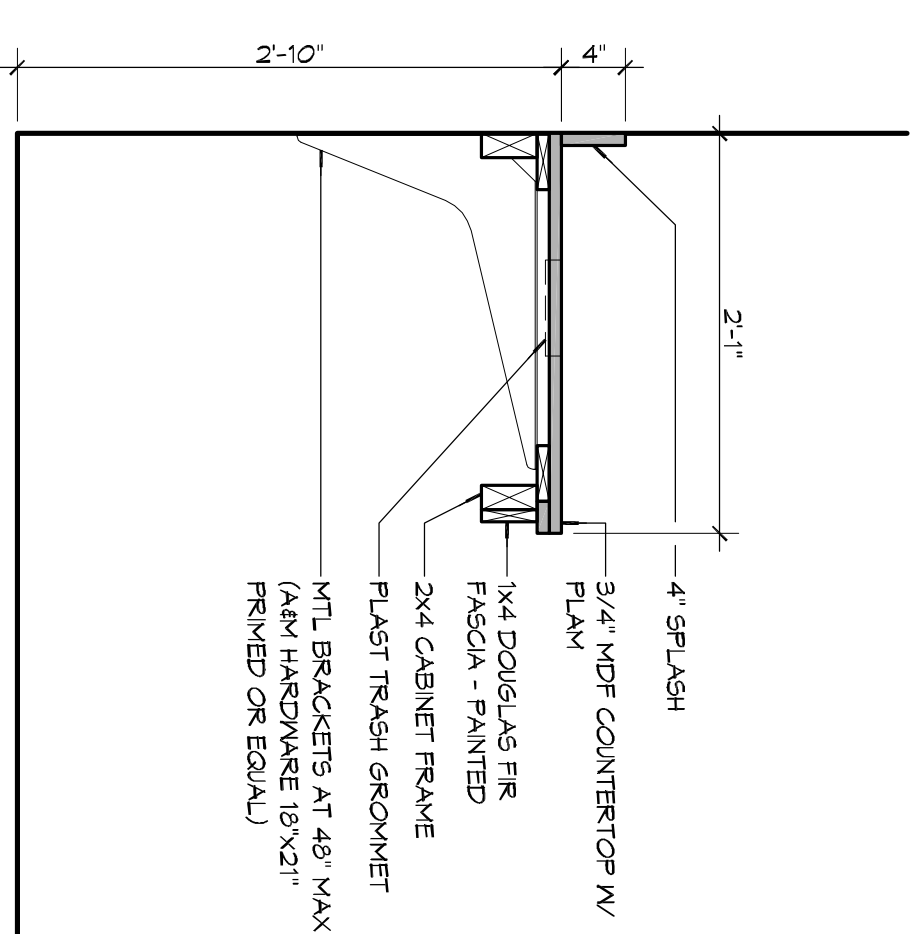
3 DOOR FRAME TYPE
SCALE: 1/2" = 1'-0"



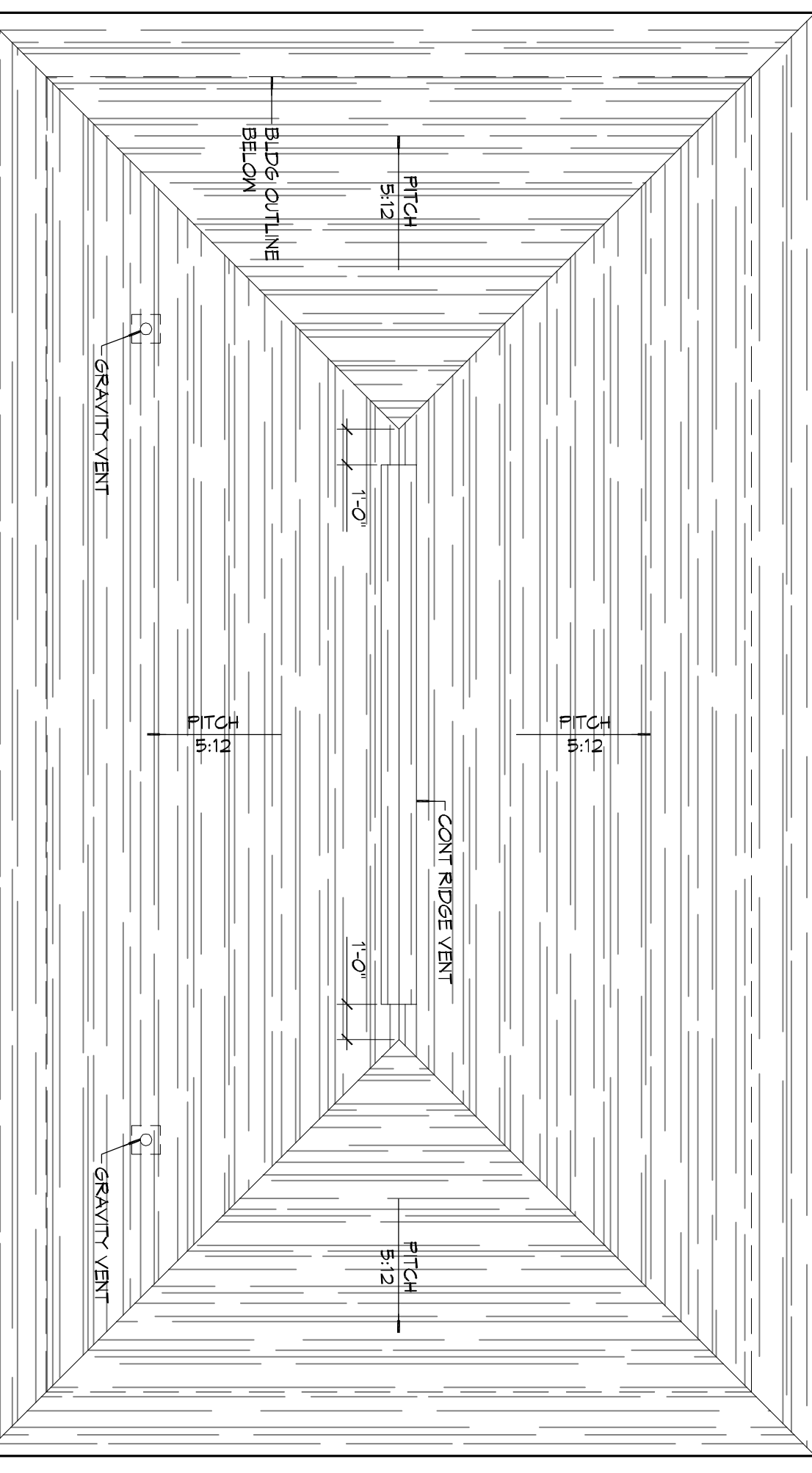
3 DOOR DETAIL
DOOR HEAD
SCALE: 3" = 1'-0"



2 DOOR TYPE
SCALE: 1/2" = 1'-0"



6 MILLWORK DETAIL
SCALE: 1" = 1'-0"



1 ROOF PLAN
SCALE: 1/4" = 1'-0"

DAMMON ENGINEERING, INC.
Architects & Engineers

Chief Architect: Kevin J. Kinchen, NCARB
Chief Engineer: Brian Mistich, PE
554 Old Spanish Trail
Stidell, LA 70458

www.dammoneengineering.com
info@dammoneengineering.com
PH: 985.649.5832
F: 985.641.5950

#	DESCRIPTION	DATE
1	PAINTED FLOORS	02-03-2015

AS-BUILTS

2602 2nd STREET
SLIDELL, LOUISIANA, 70458

JOB No: 2170 DATE: 4/2/2014

DRAWN BY: K.K. CHECKED BY: K.K.

SHEET No: 6 of 8

A2