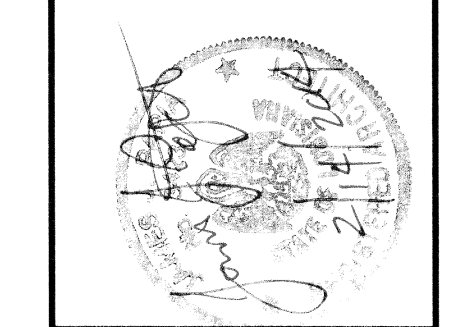
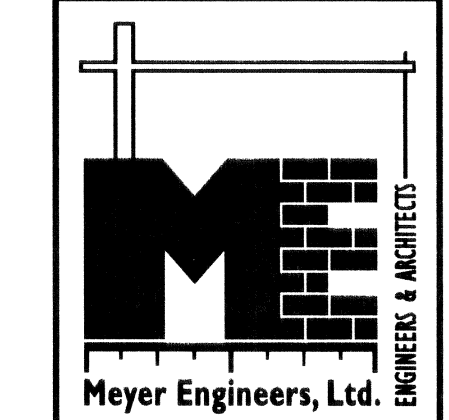


- KEYNOTES** \*ALL KEYNOTES MAY NOT APPEAR ON THIS SHEET
- 1 ADA COMPLIANT FLOOR-MOUNTED TOILET
  - 2 STANDARD FLOOR-MOUNTED TOILET
  - 3 ADA COMPLIANT WALL MOUNTED URINAL
  - 4 STANDARD WALL MOUNTED URINAL
  - 5 WALL-HUNG LAVATORY & FAUCET
  - 6 MIRROR
  - 7 SURFACE-MOUNTED FOAM SOAP DISPENSER
  - 8 RECESSED SOAP DISH & BAR
  - 9 SURFACE-MOUNTED TOILET PAPER DISPENSER
  - 10 SURFACE-MOUNTED SANITARY NAPKIN DISPOSAL
  - 11 RECESSED WASTE RECEPTACLE
  - 12 ELECTRIC HAND DRYER
  - 13 ADA PIPE INSULATION KIT
  - 14 ADA COMPLIANT DIAPER CHANGING STATION
  - 15 24" GRAB BAR
  - 16 36" GRAB BAR
  - 17 42" GRAB BAR
  - 18 48" GRAB BAR
  - 19 ROLL-IN SHOWER, ADA-COMPLIANT CONTROLS
  - 20 (NOT USED)
  - 21 TOILET PARTITION & DOOR
  - 22 TOILET PARTITION & DOOR W/ CLOSER
  - 23 URINAL SCREEN
  - 24 EXISTING FLOOR DRAIN
  - 25 NEW FLOOR DRAIN
  - 26 FULL LENGTH MIRROR
  - 27 HEAVY-DUTY CLOTHES HOOK
  - 28 SHOWER CURTAIN ROD
  - 29 INTERIOR PAINTED C.M.U. BLOCK
  - 30 PAINTED FIBER CEMENT BOARD PANEL
  - 31 PAINTED FIBER CEMENT BOARD TRIM
  - 32 DRAINAGE GAP IN BLOCK WALL ( @ EACH STALL )
  - 33 URETHANE FLOOR COATING
  - 34 EXTERIOR PAINTED SPLIT-FACED C.M.U.
  - 35 DRY-FLOODPROOFED SPLIT-FACED C.M.U.
  - 36 STEEL COLUMN (SEE DETAIL 8/A200)
  - 37 PAINTED DECORATIVE CAST IRON VALENCE
  - 38 PRE-FINISHED STANDING SEAM METAL ROOF
  - 39 PRE-FINISHED RIDGE/HIP CAP
  - 40 PRE-FINISHED DOWNSPOUT W/ BOOT (SEE DETAIL 4/A102)
  - 41 PRE-FINISHED GUTTER
  - 42 PAINTED FIBER CEMENT FASCIA BOARD
  - 43 DECORATIVE PRIVACY SCREEN
  - 44 WATERTIGHT DOOR (SEE SPEC)
  - 45 EXPOSED EXISTING CONCRETE SLAB EDGES (APPLY DRY-FLOODPROOF LAYER)
  - 46 FIBER CEMENT SOFFIT BOARD
  - 47 METAL TRUSS
  - 48 C.M.U. U-BLOCK LINTEL (SEE SECTION)
  - 49 PAINTED CEMENT BACKER BOARD
  - 50 UNDERSIDE OF ROOF DECK

project no. 20-1320  
 drawn JMW  
 checked EGA, JJP  
 date 02.14.2014  
 revised

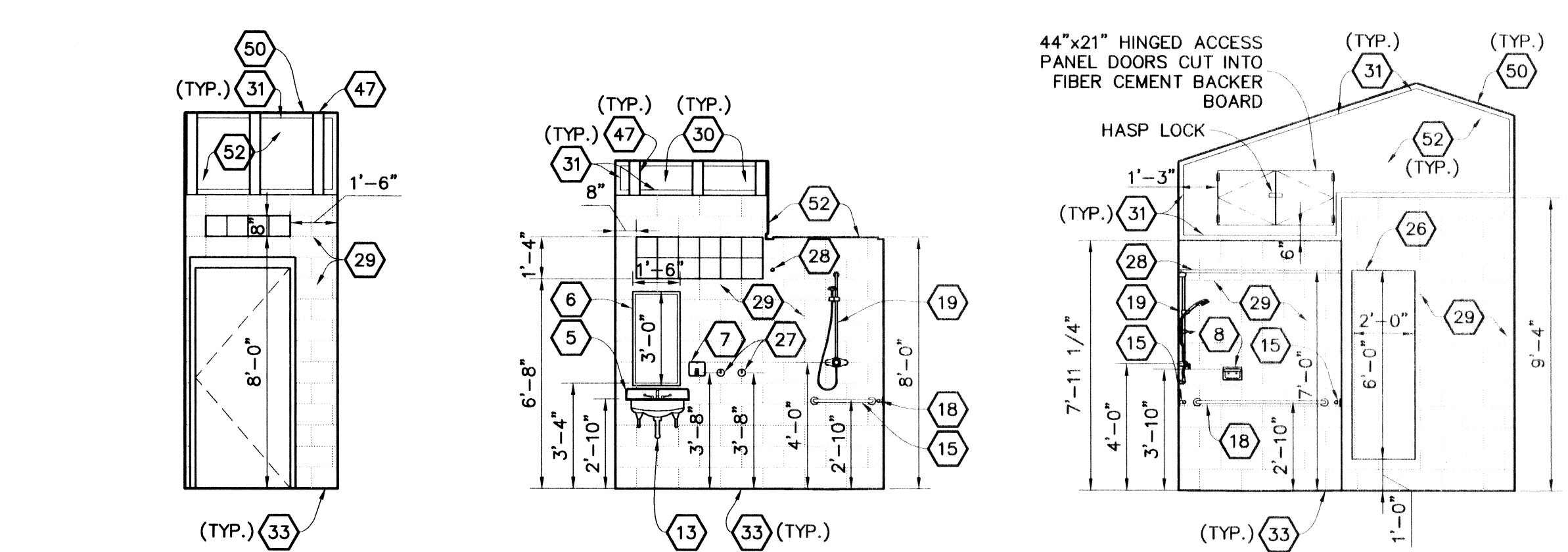


**Meyer Engineers, Ltd.**  
 4937 Hearst Street, Suite 1B, Metairie, Louisiana 70001  
 2031 Claiborne Street, Mandeville, Louisiana 70448  
 phone: 504.885.9892 · fax: 504-887-5056  
 website: www.meyer-e-l.com

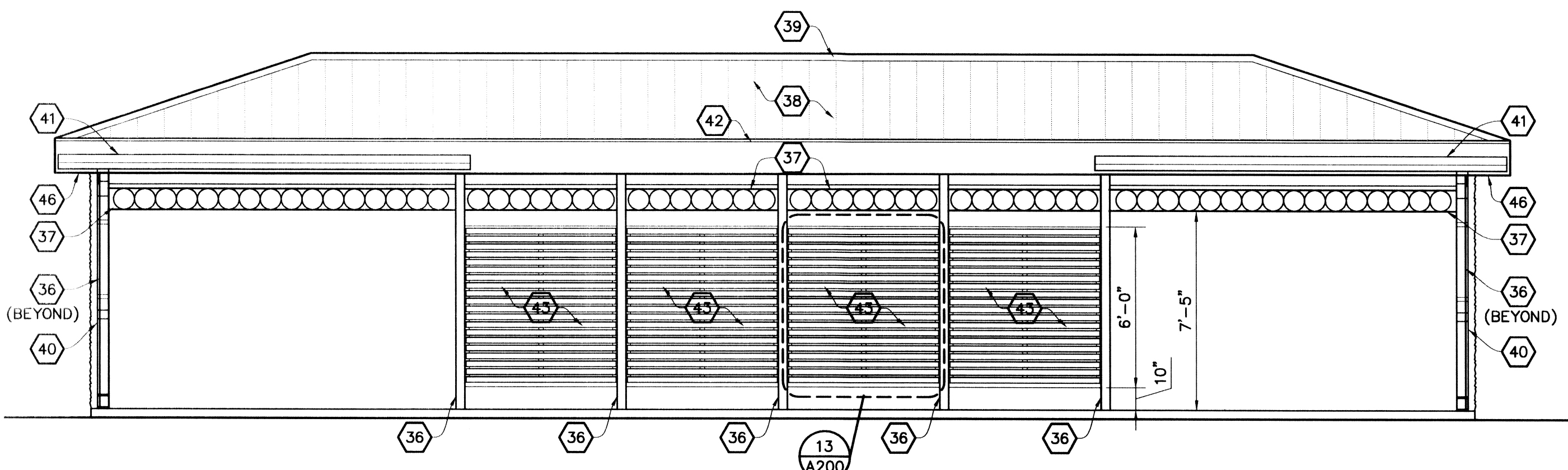


**EXTERIOR & INTERIOR ELEVATIONS**  
**HERITAGE PARK RESTROOM BUILDING**  
**CITY OF SLIDELL PARKS & RECREATION DEPT.**  
**CITY OF SLIDELL, OWNER**

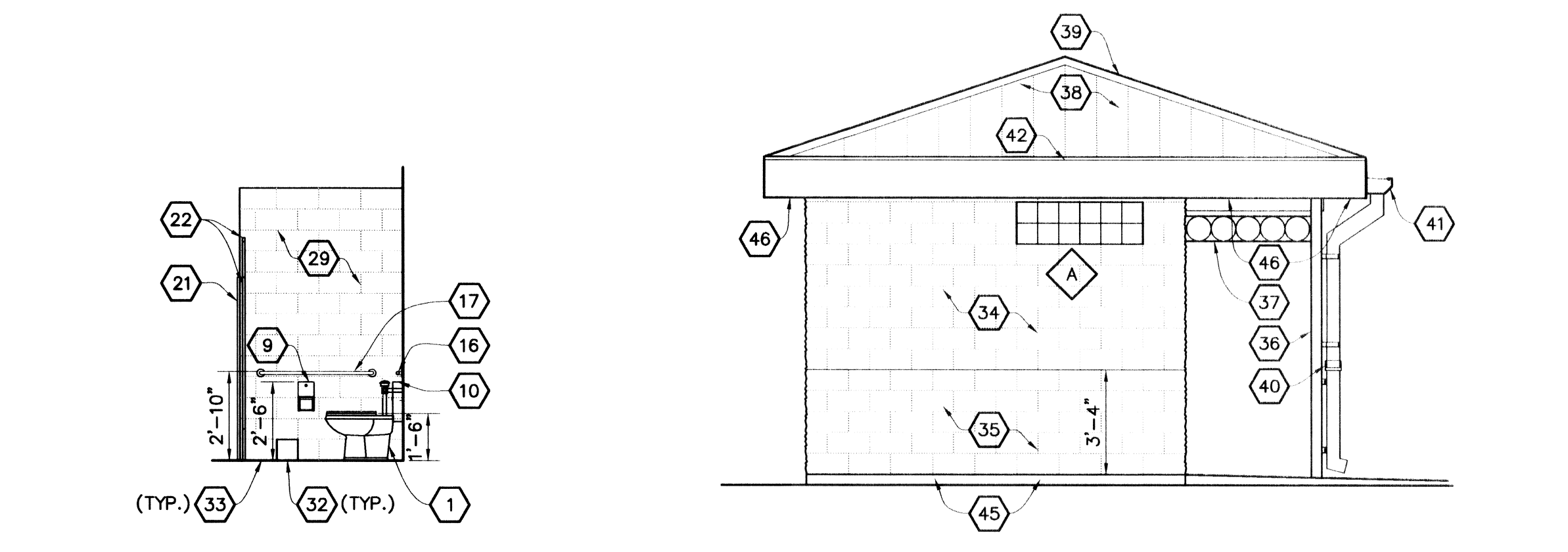
sheet no. **A101**  
 of 10 sheets



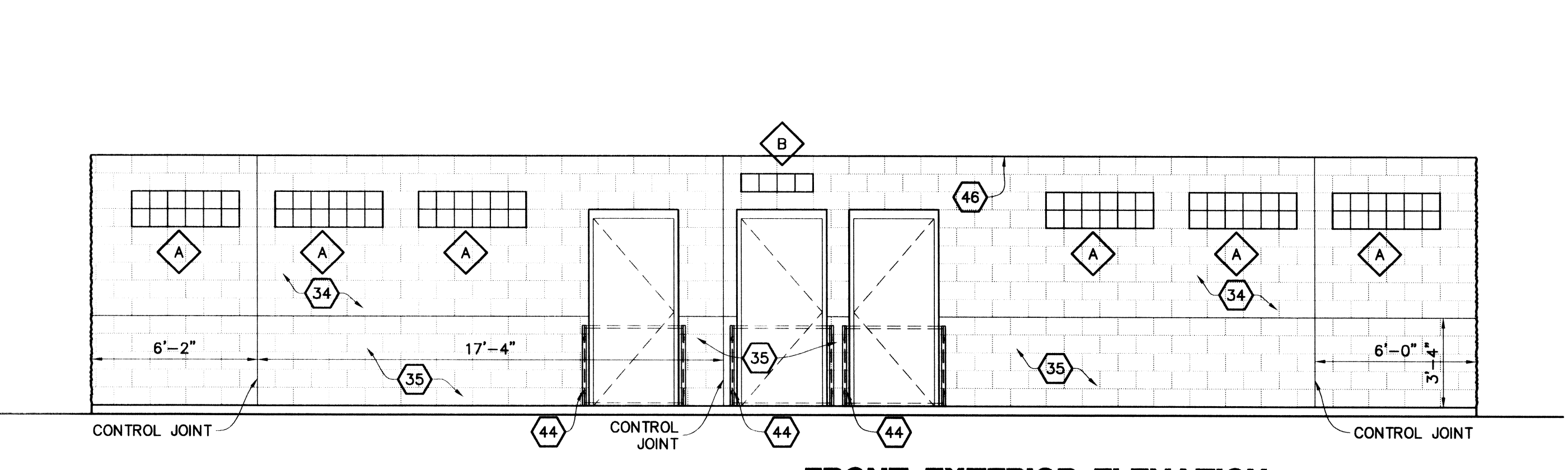
**1 SHOWER ROOM** 1/4" = 1'-0"  
**2 SHOWER ROOM** 1/4" = 1'-0"  
**3 SHOWER ROOM** 1/4" = 1'-0"



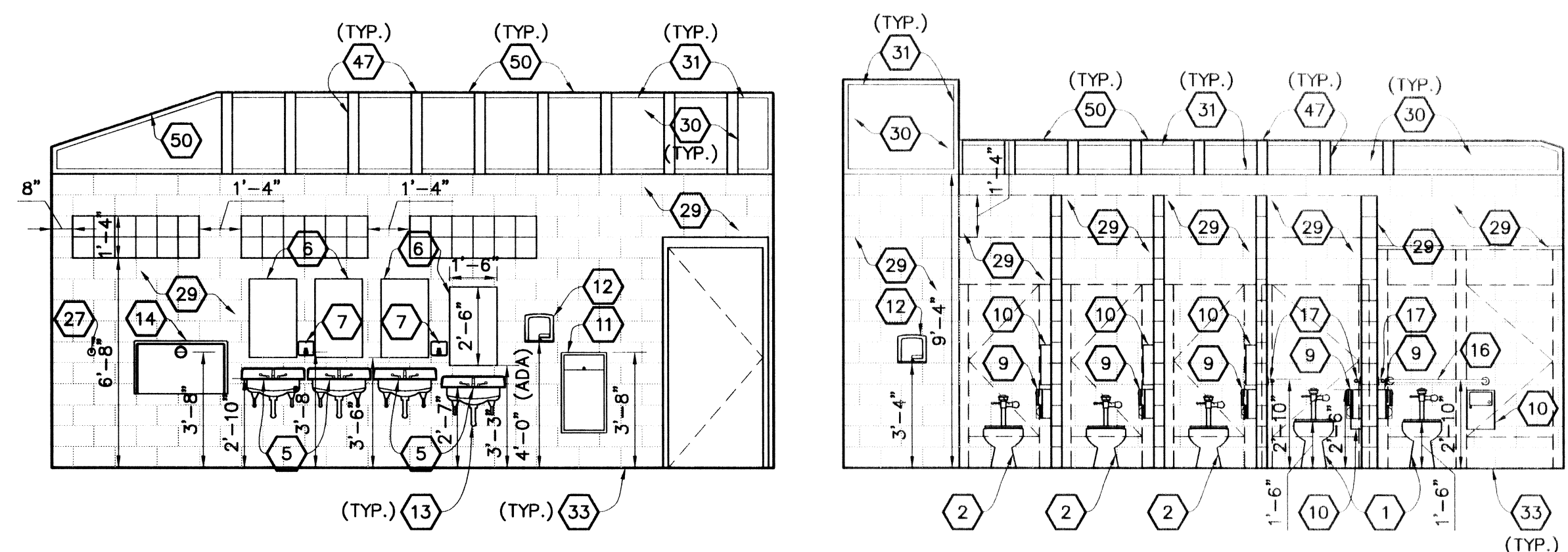
**4 FRONT EXTERIOR ELEVATION** 1/4" = 1'-0"



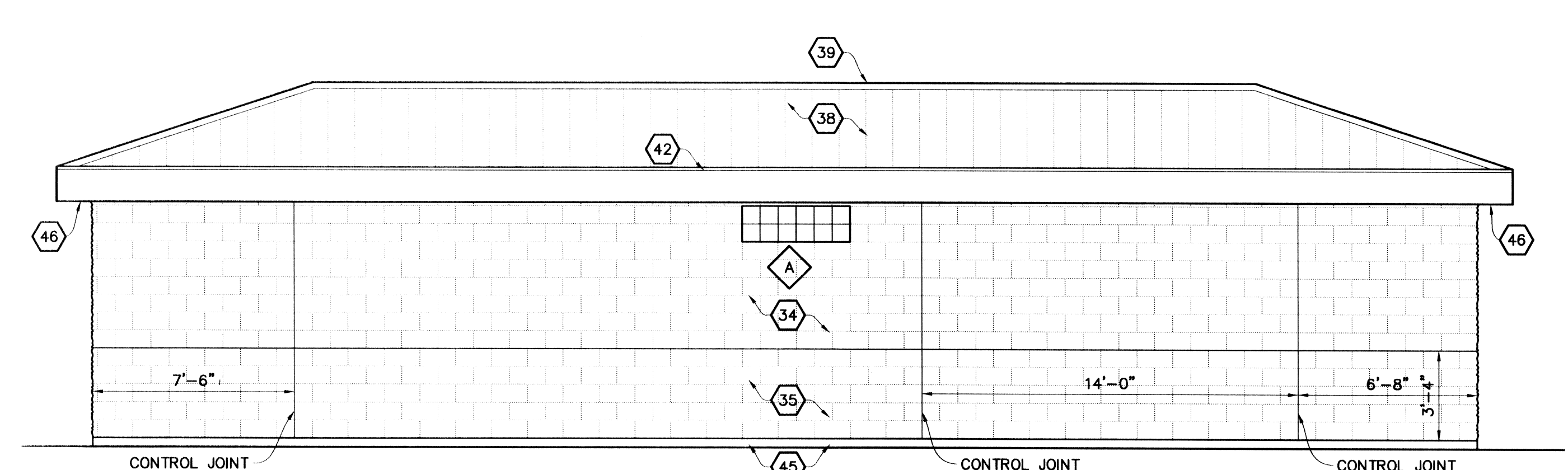
**5 WOMEN'S INT. ELEVATION** 1/4" = 1'-0"  
**6 SIDE EXTERIOR ELEVATION** 1/4" = 1'-0"



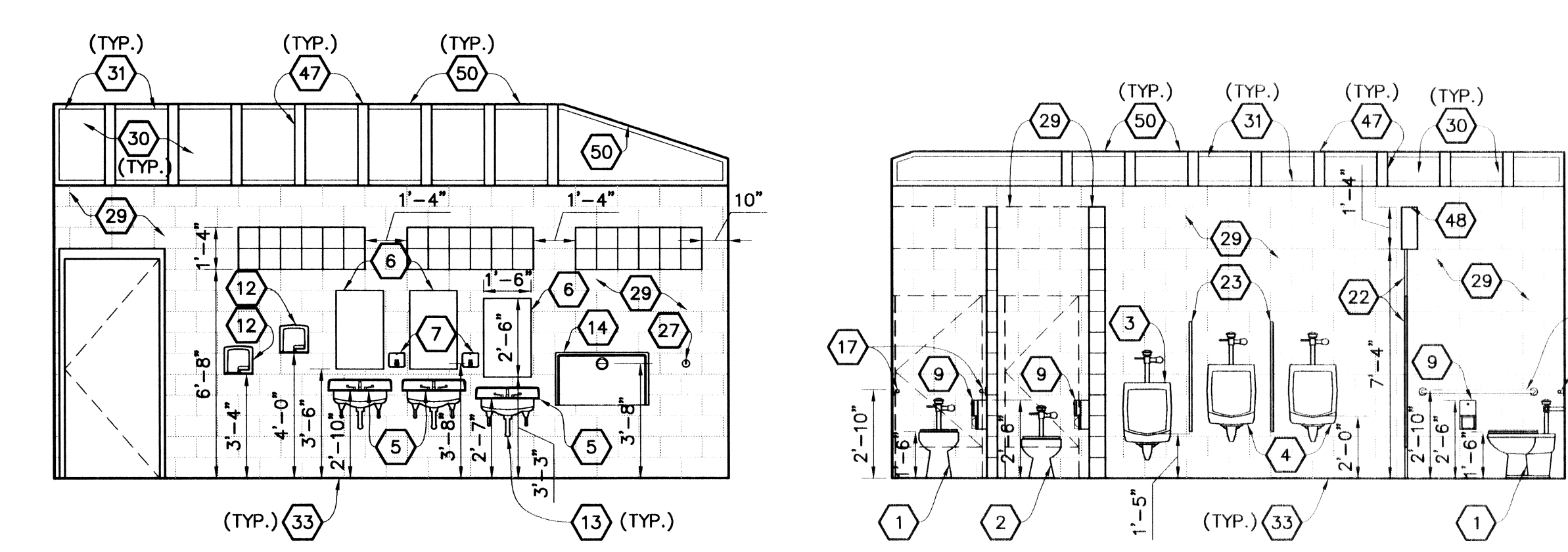
**7 FRONT EXTERIOR ELEVATION - UNDER OVERHANG** 1/4" = 1'-0"



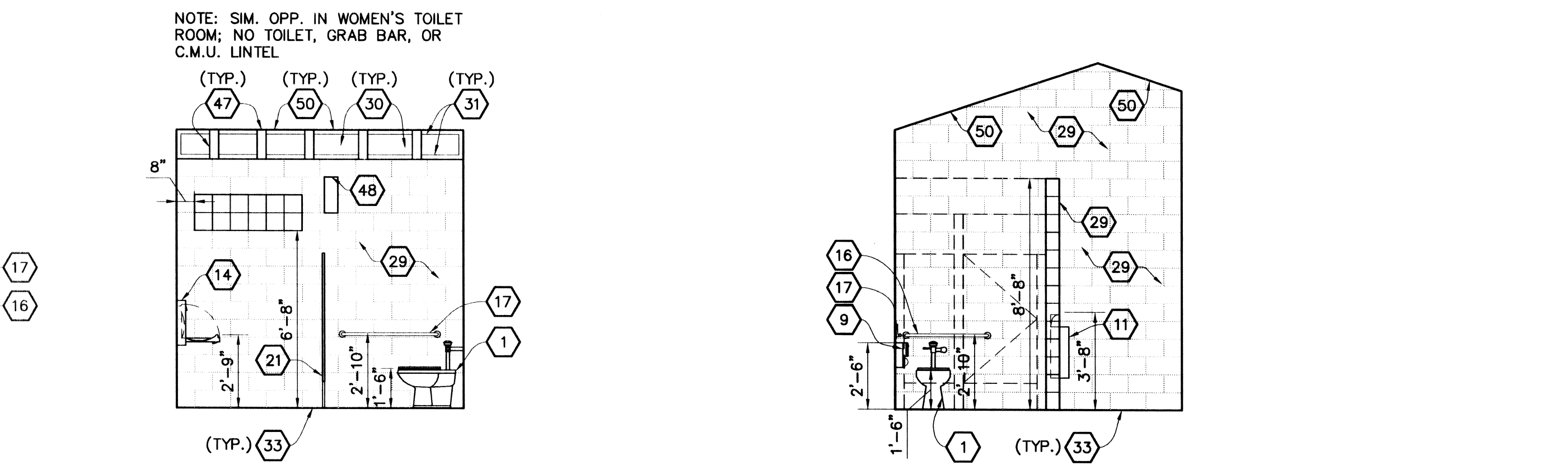
**8 WOMEN'S INT. ELEVATION** 1/4" = 1'-0"  
**9 WOMEN'S INT. ELEVATION** 1/4" = 1'-0"



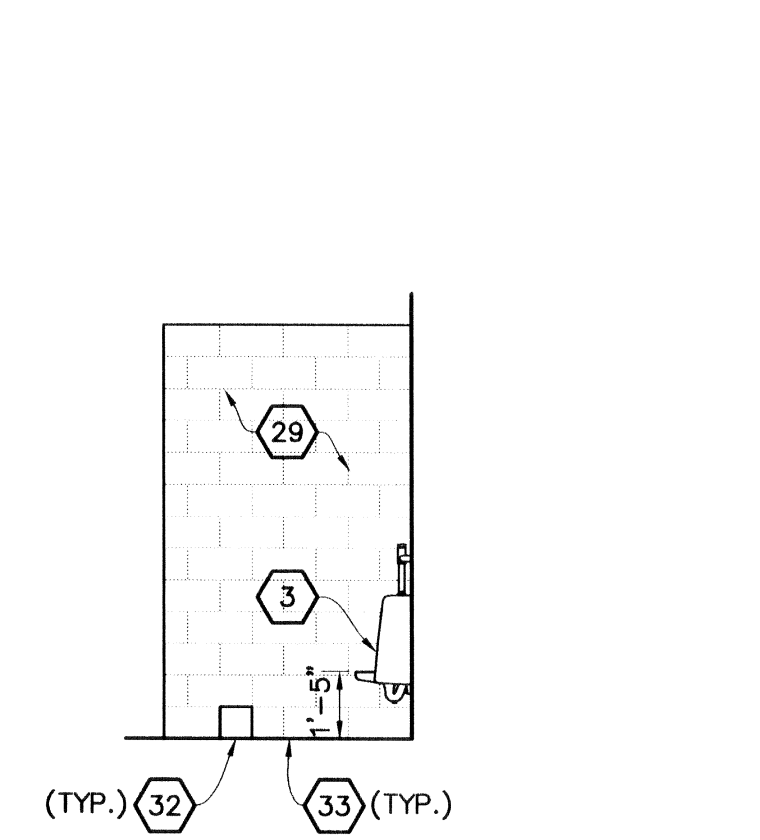
**10 BACK EXTERIOR ELEVATION** 1/4" = 1'-0"



**11 MEN'S INT. ELEVATION** 1/4" = 1'-0"  
**12 MEN'S INT. ELEVATION** 1/4" = 1'-0"



**13 MEN'S INT. ELEVATION** 1/4" = 1'-0"  
**14 MEN'S INT. ELEVATION** 1/4" = 1'-0"



**15 MEN'S INT. ELEVATION** 1/4" = 1'-0"

NOTE: SIM. OPP. IN WOMEN'S TOILET ROOM; NO TOILET, GRAB BAR, OR C.M.U. LINTEL