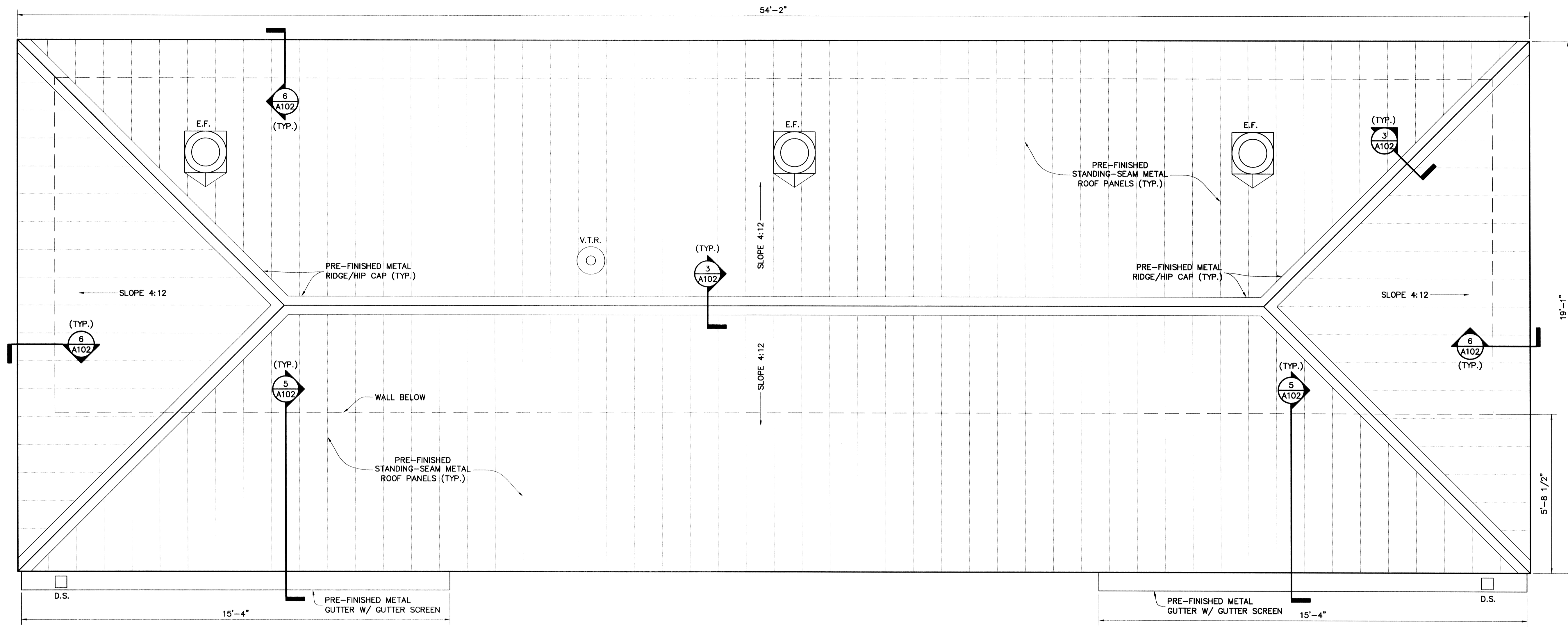
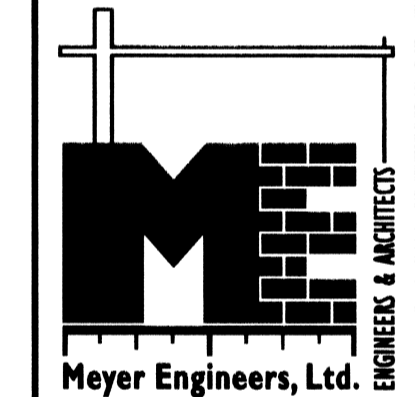
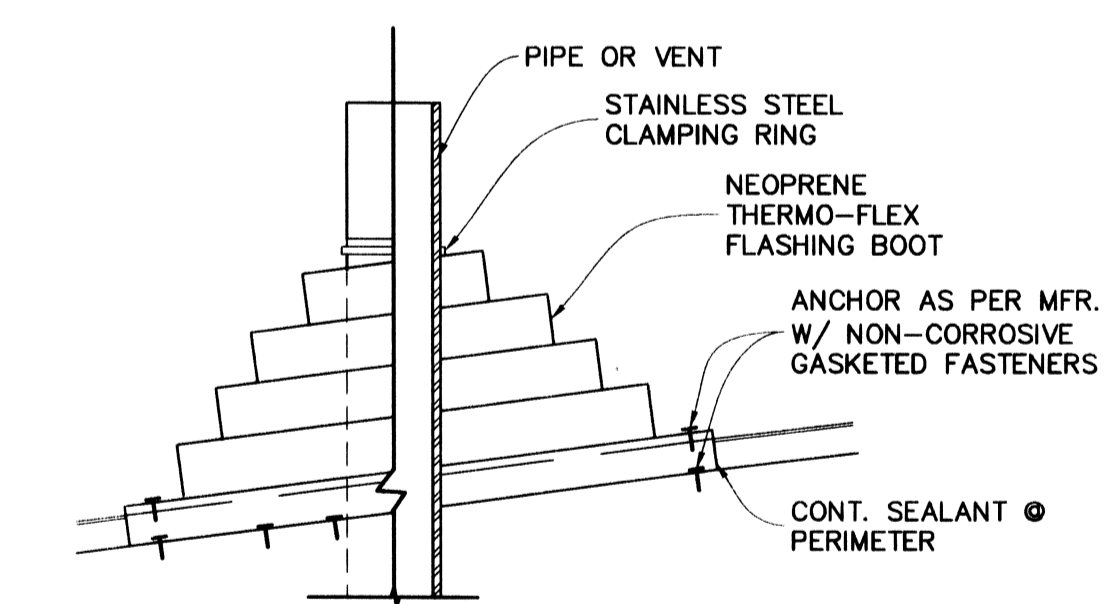


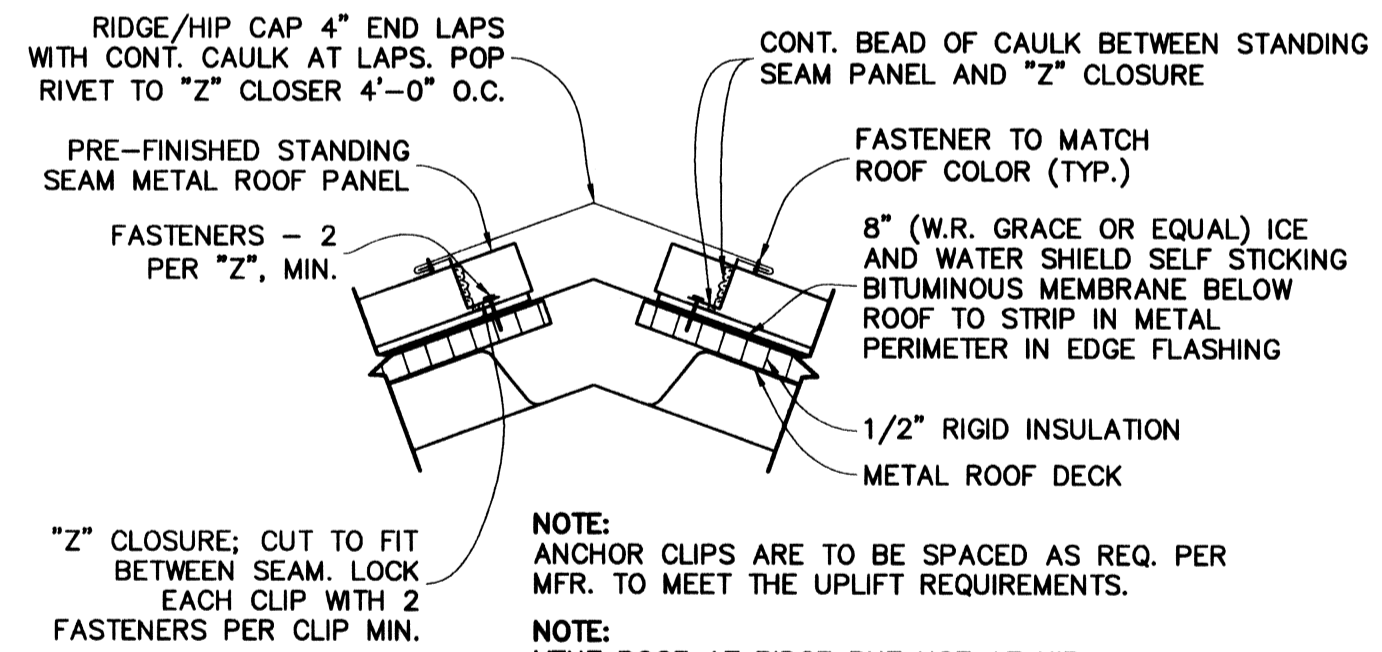
**Meyer Engineers, Ltd.**  
 4937 Hearst Street, Suite 1B, Metairie, Louisiana 70001  
 2031 Claiborne Street, Mandeville, Louisiana 70448  
 phone: 504.885.9892, fax: 504.887-5056  
 website: www.meyer-e-l.com



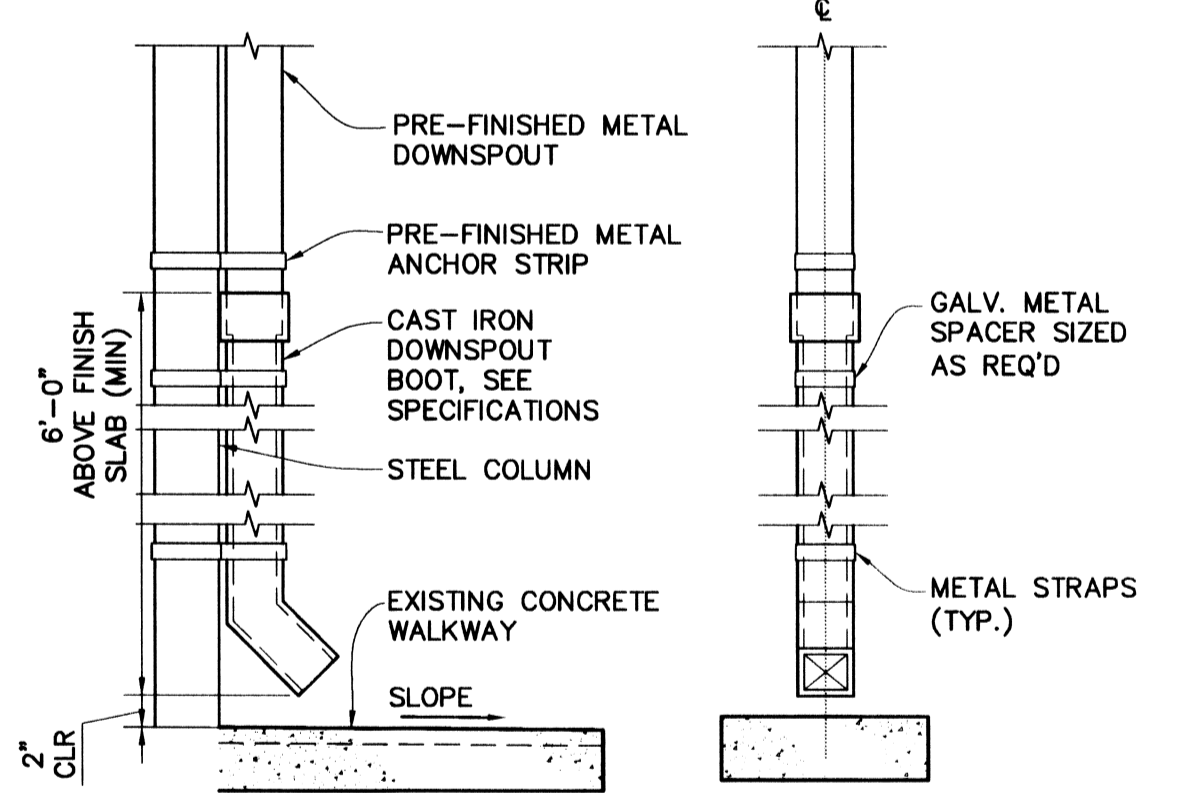
**1 ROOF PLAN**  
 1/2" = 1'-0"



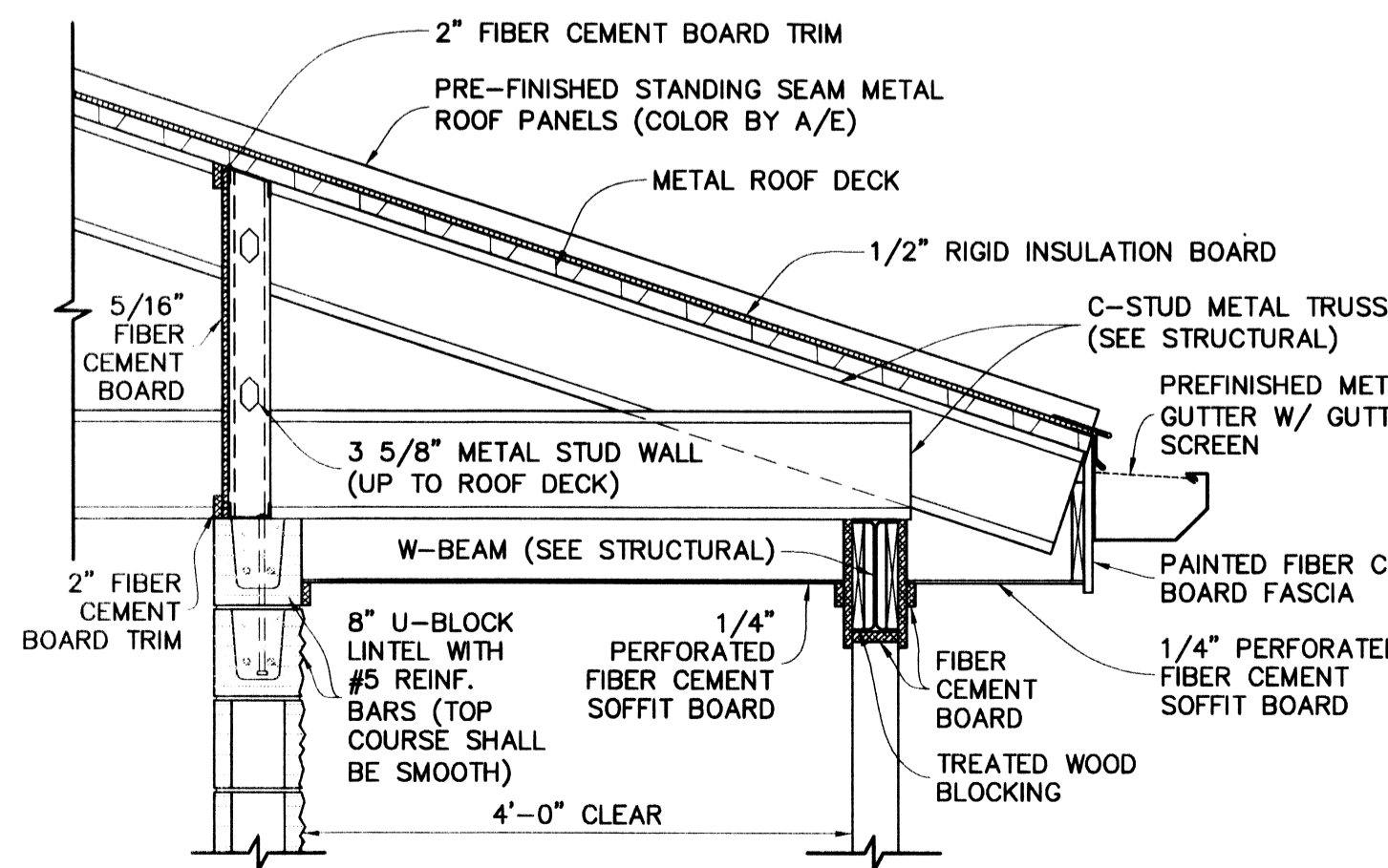
**2 VENT STACK**  
 N.T.S.  
 A102 | A102 07670M06VentStack.DWG



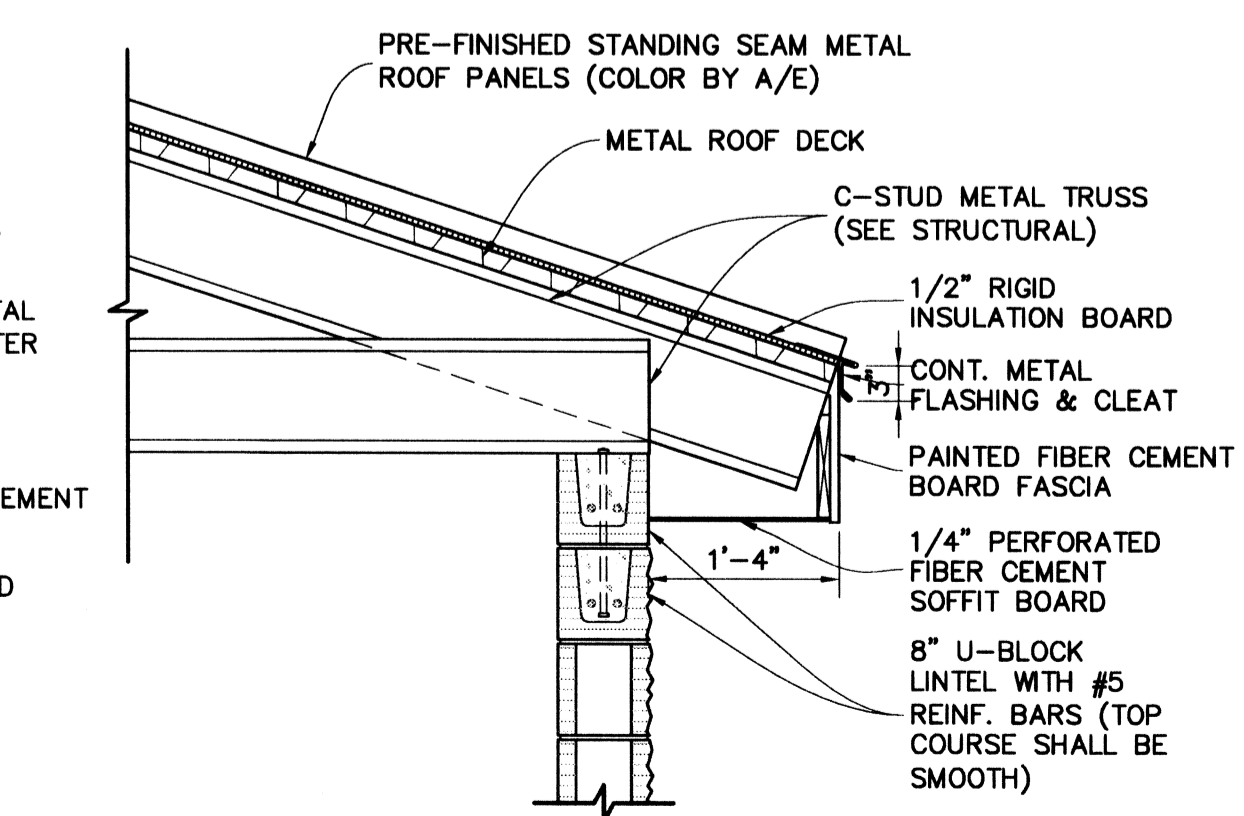
**3 RIDGE/HIP DETAIL**  
 3" = 1'-0"  
 A102 | A102 07412M18RidgeDetail.DWG



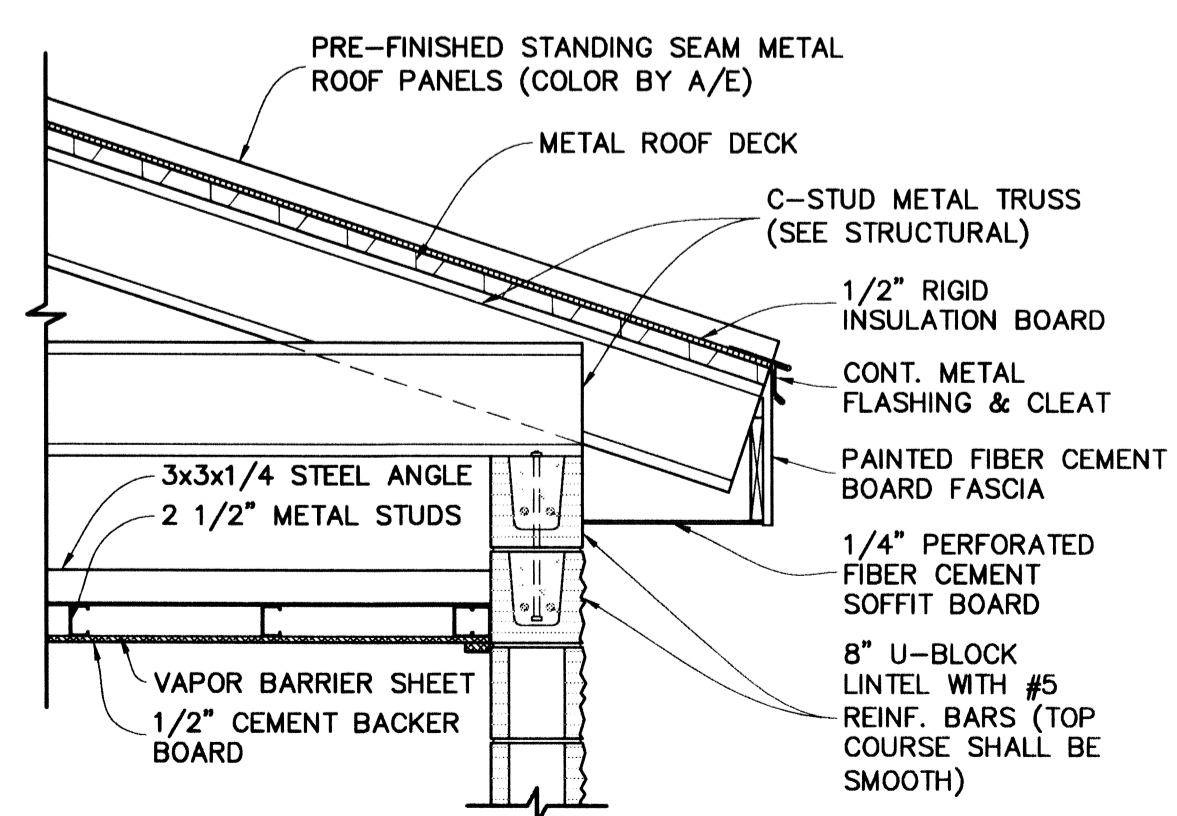
**4 DOWNSPOUT BOOT DETAIL**  
 1" = 1'-0"  
 A102 | A102



**5 EAVE SECTION**  
 3/4" = 1'-0"  
 A102 | A102 07124E05WaeSection@Roof.DWG



**6 EAVE SECTION**  
 3/4" = 1'-0"  
 A102 | A102 07124E05WaeSection@Roof.DWG



**7 EAVE SECTION @ SHOWER**  
 3/4" = 1'-0"  
 A102 | A102 07124E05WaeSection@Roof.DWG

**ROOF PLAN & DETAILS**  
 HERITAGE PARK RESTROOM BUILDING  
 CITY OF SLIDELL PARKS & RECREATION DEPT.  
 CITY OF SLIDELL, OWNER