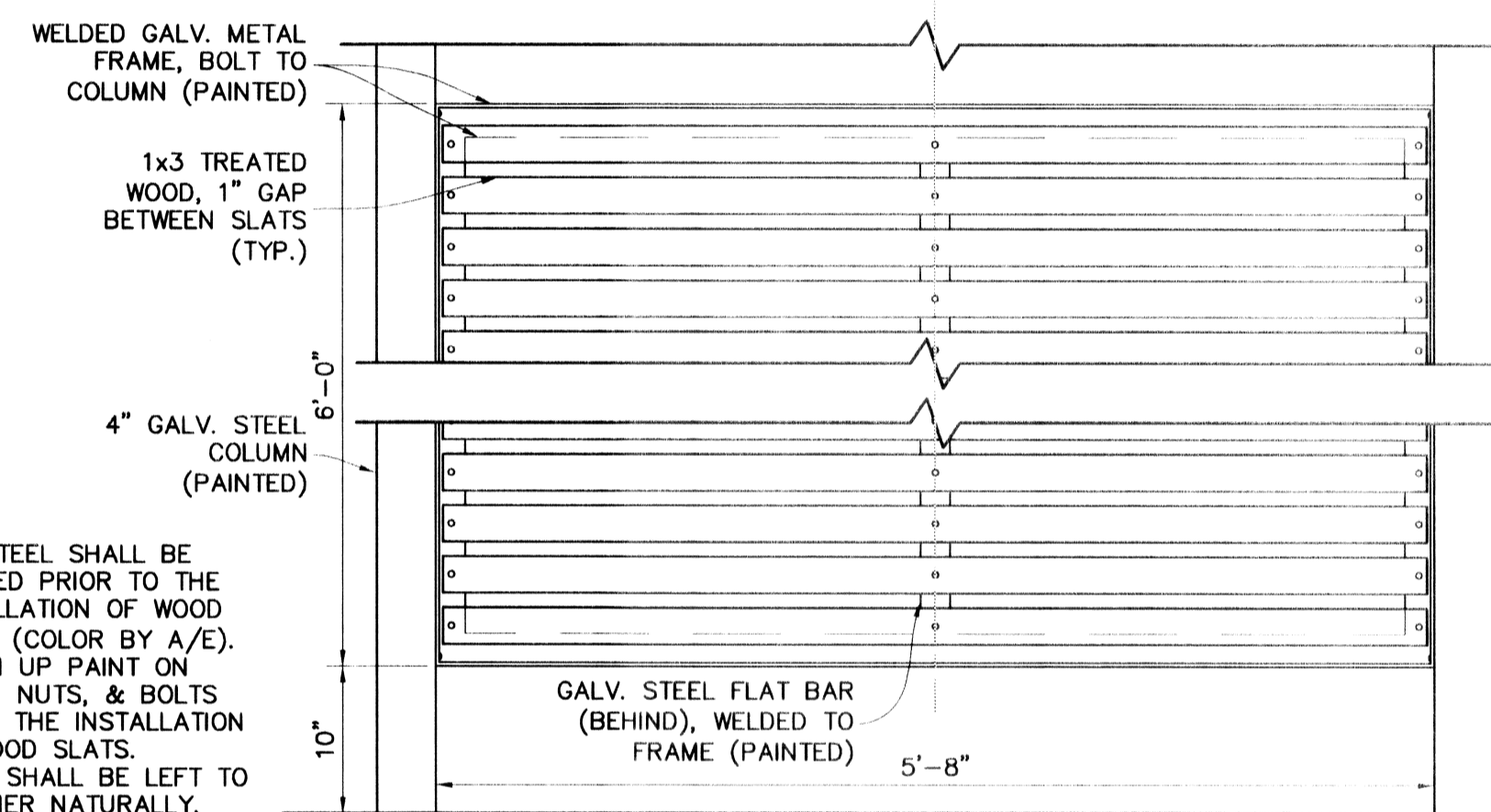


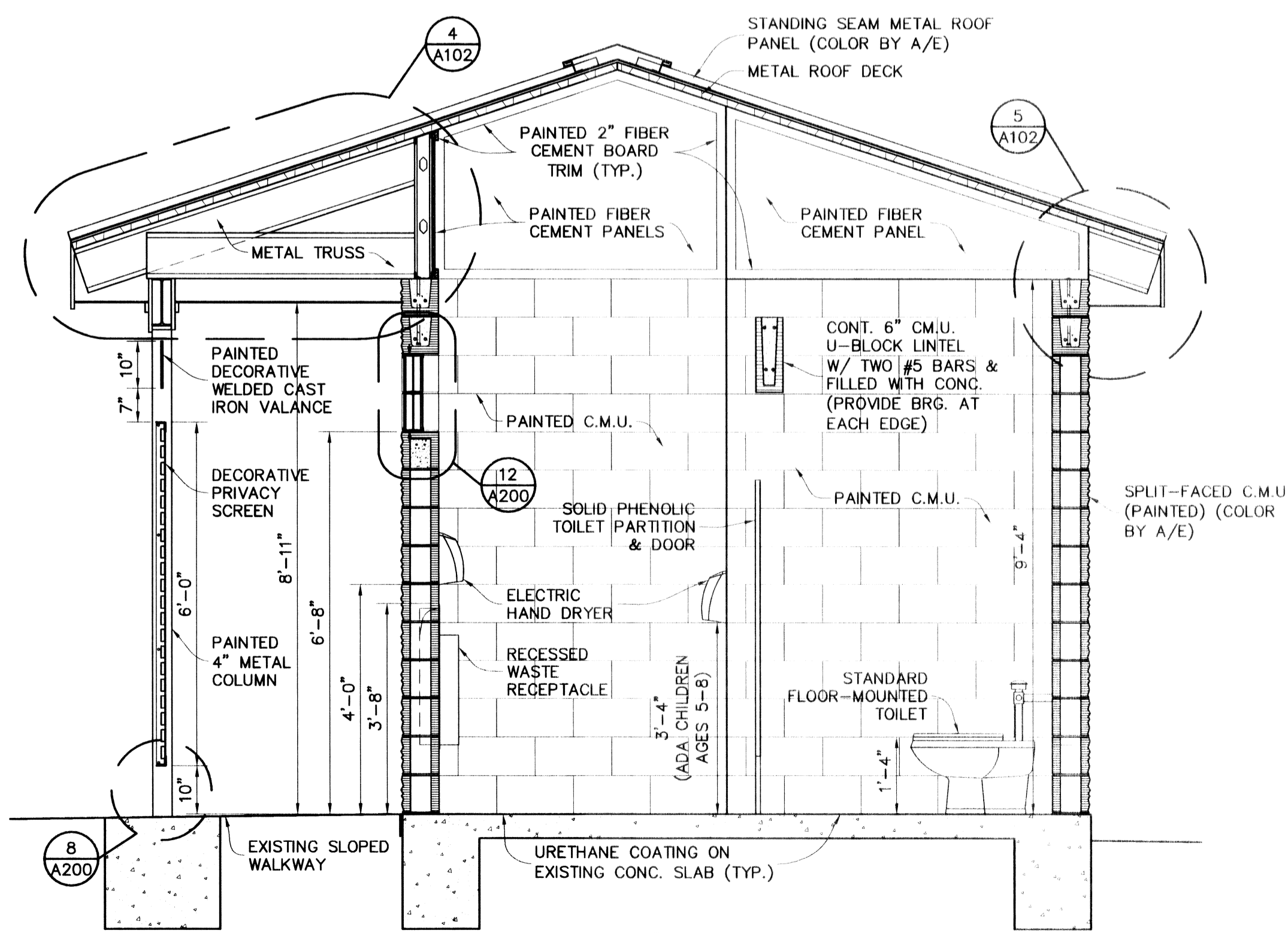
FINISH SCHEDULE						
NO.	ROOM	FLOOR	BASE	WALLS	CEILING	REMARKS
101	MEN'S TOILET					
101	SHOWER ROOM					APPLY UNDERLAYMENT TO FLOOR TO CREATE SLOPE TO NEW FLOOR DRAIN
101	WOMEN'S TOILET					

WINDOW SCHEDULE							
MK.	WIDTH	HEIGHT	DESCRIPTION	HEAD	JAMB	SILL	REMARKS
A	4'-0"	1'-4"	IMPACT-RESISTANT 8x8x4 GLASS BLOCK	12/A200	6/A200	12/A200	
B	2'-8"	0'-8"	IMPACT-RESISTANT 8x8x4 GLASS BLOCK	11/A200	6/A200	11/A200	

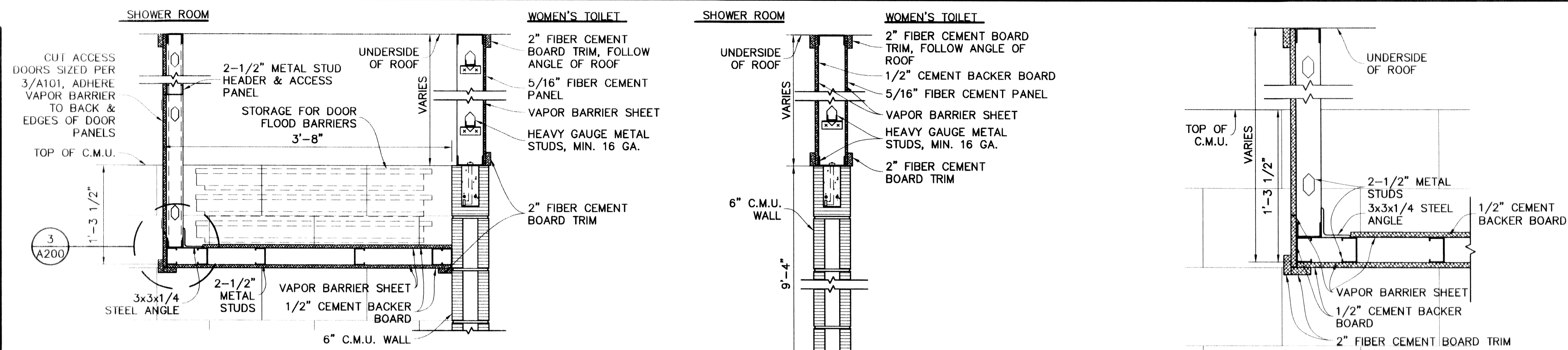
DOOR SCHEDULE									
MK.	WIDTH	HEIGHT	THK.	DESCRIPTION	HEAD	JAMB	SILL	FRM.	REMARKS
1	3'-0"	7'-0"	1 3/4"	EXTERIOR HOLLOW METAL	4/A200	7/A200	10/A200	H.M.	CLOSER, MECH. KEYPAD (SEE SPEC.)
2	3'-0"	7'-0"	1 3/4"	EXTERIOR HOLLOW METAL	11/A200	7/A200	10/A200	H.M.	CLOSER, MECH. KEYPAD (SEE SPEC.)
3	3'-0"	7'-0"	1 3/4"	EXTERIOR HOLLOW METAL	4/A200	7/A200	10/A200	H.M.	CLOSER, MECH. KEYPAD (SEE SPEC.)



13 PRIVACY SCREEN DETAIL  
A101/A200



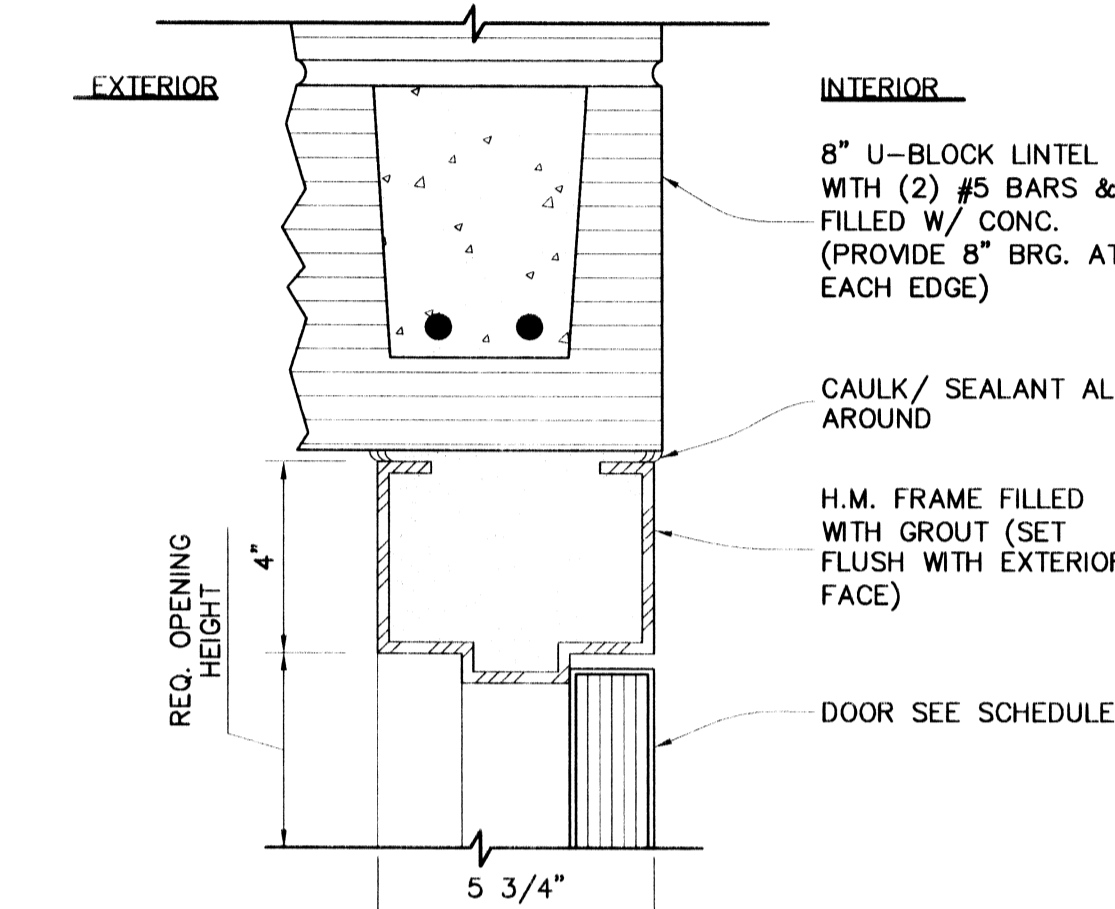
9 BUILDING SECTION  
1/2" = 1'-0"



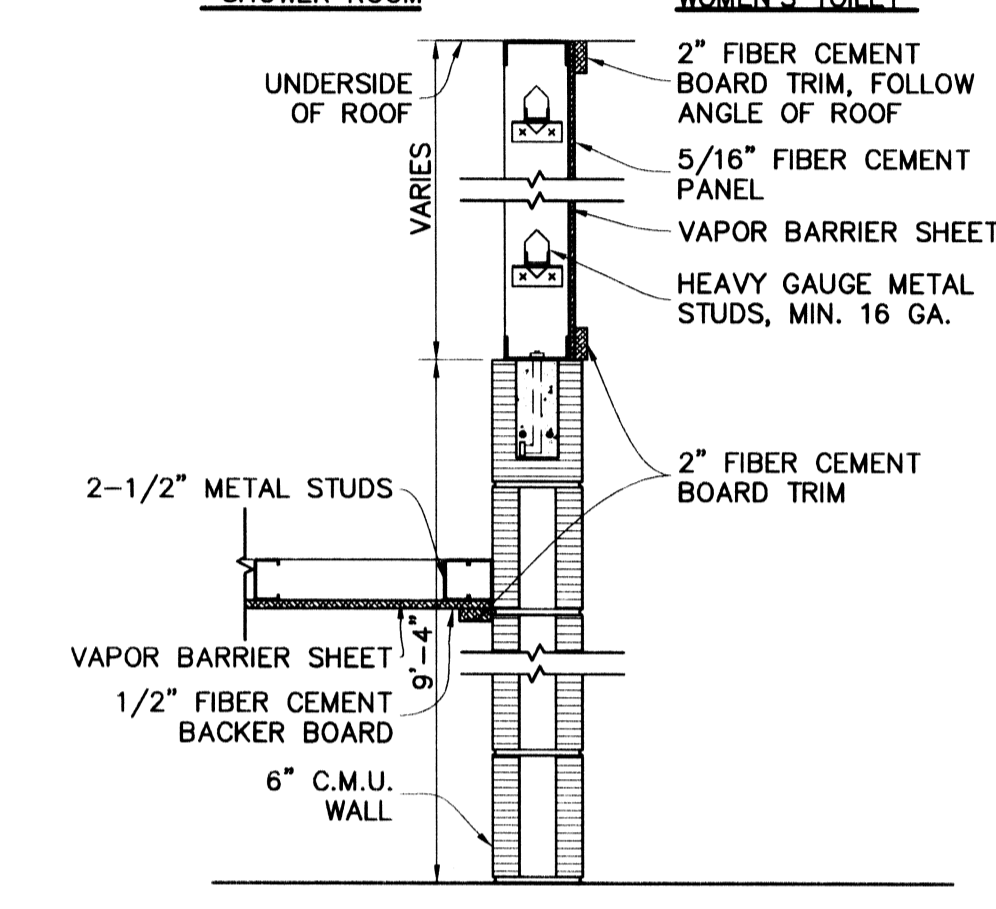
1 WALL SECTION  
A100/A200

2 WALL SECTION  
A100/A200

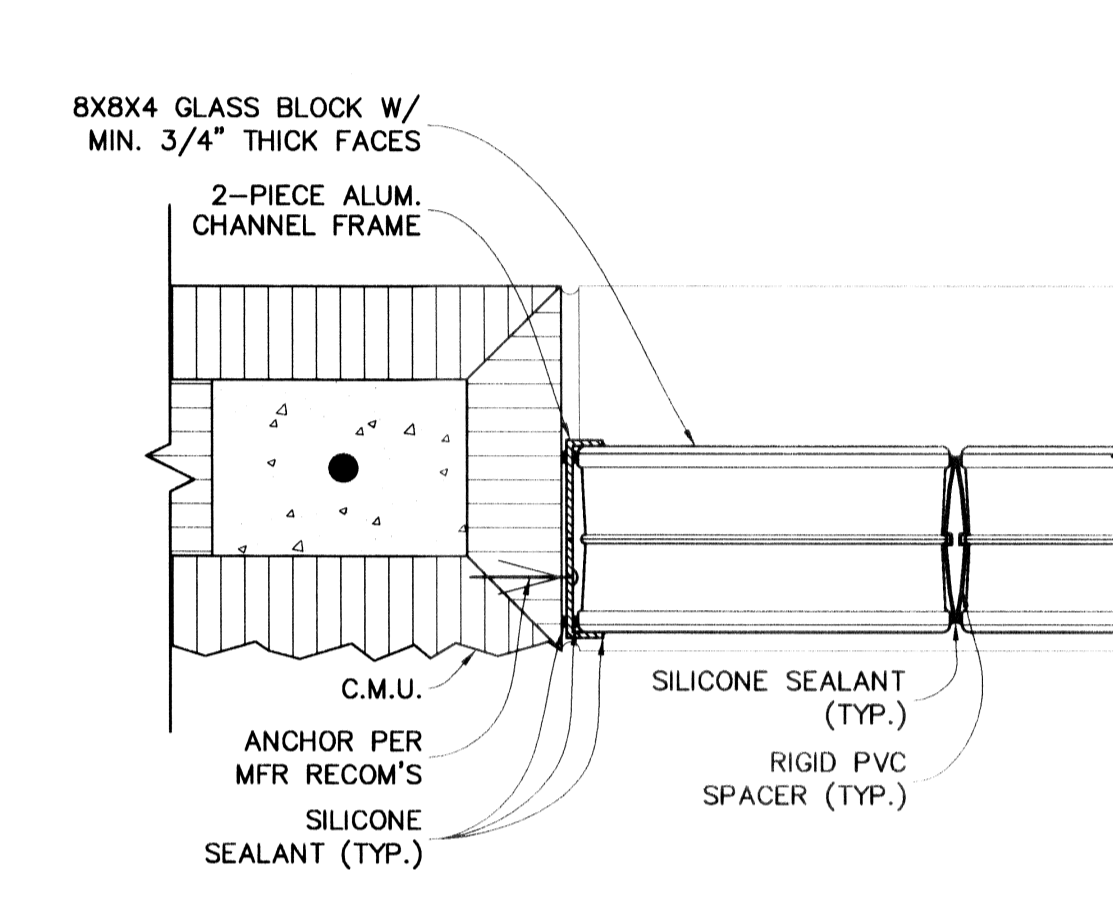
3 WALL SECTION  
A200/A200



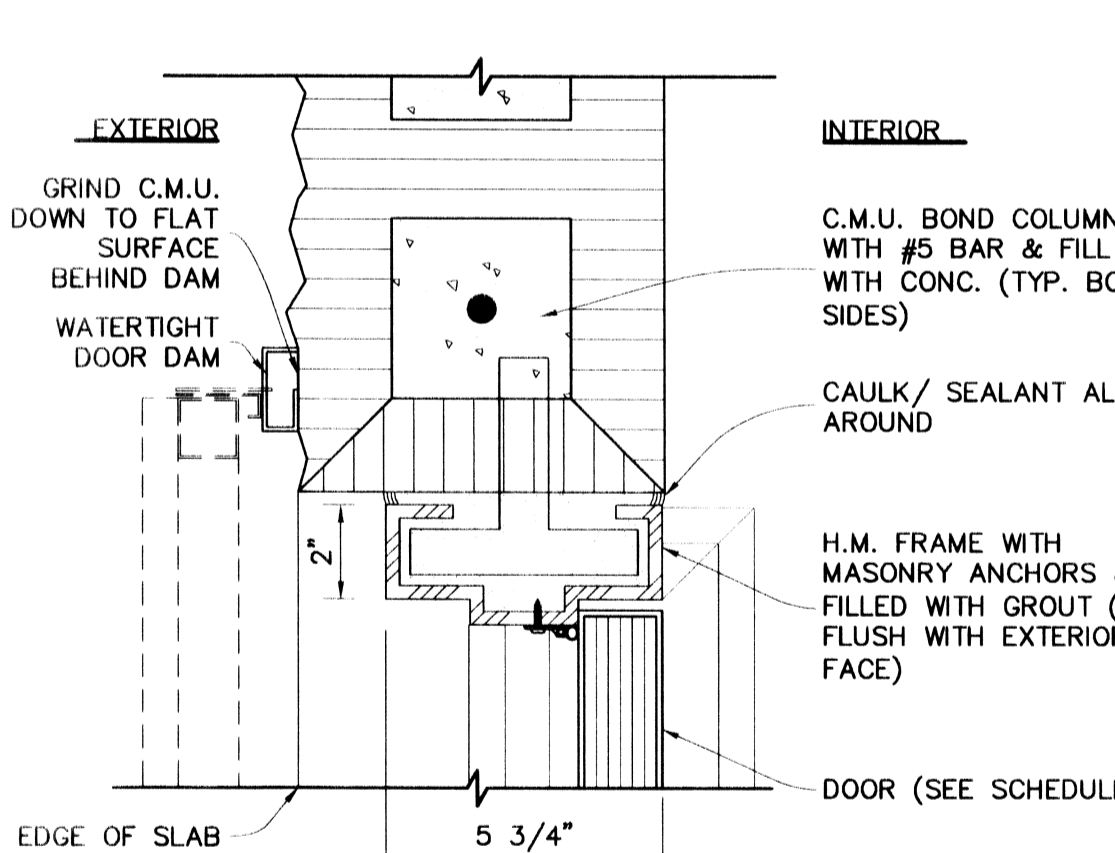
4 EXTERIOR DOOR HEAD  
A200/A200



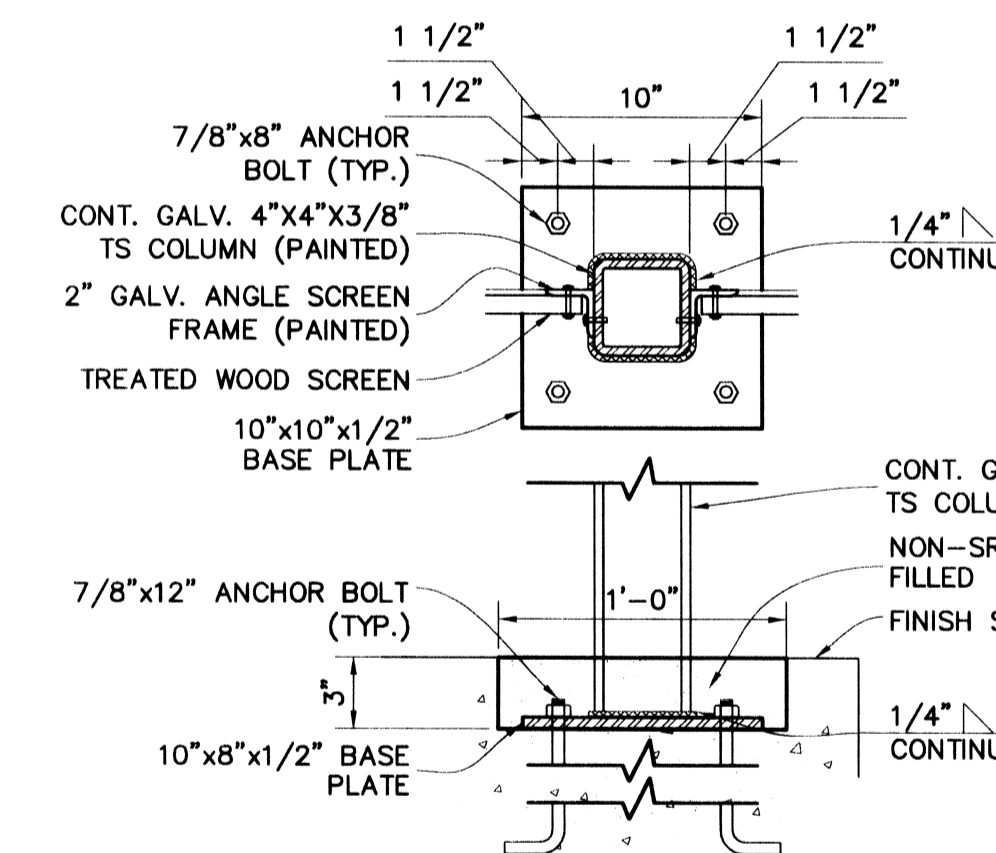
5 WALL SECTION  
A100/A200



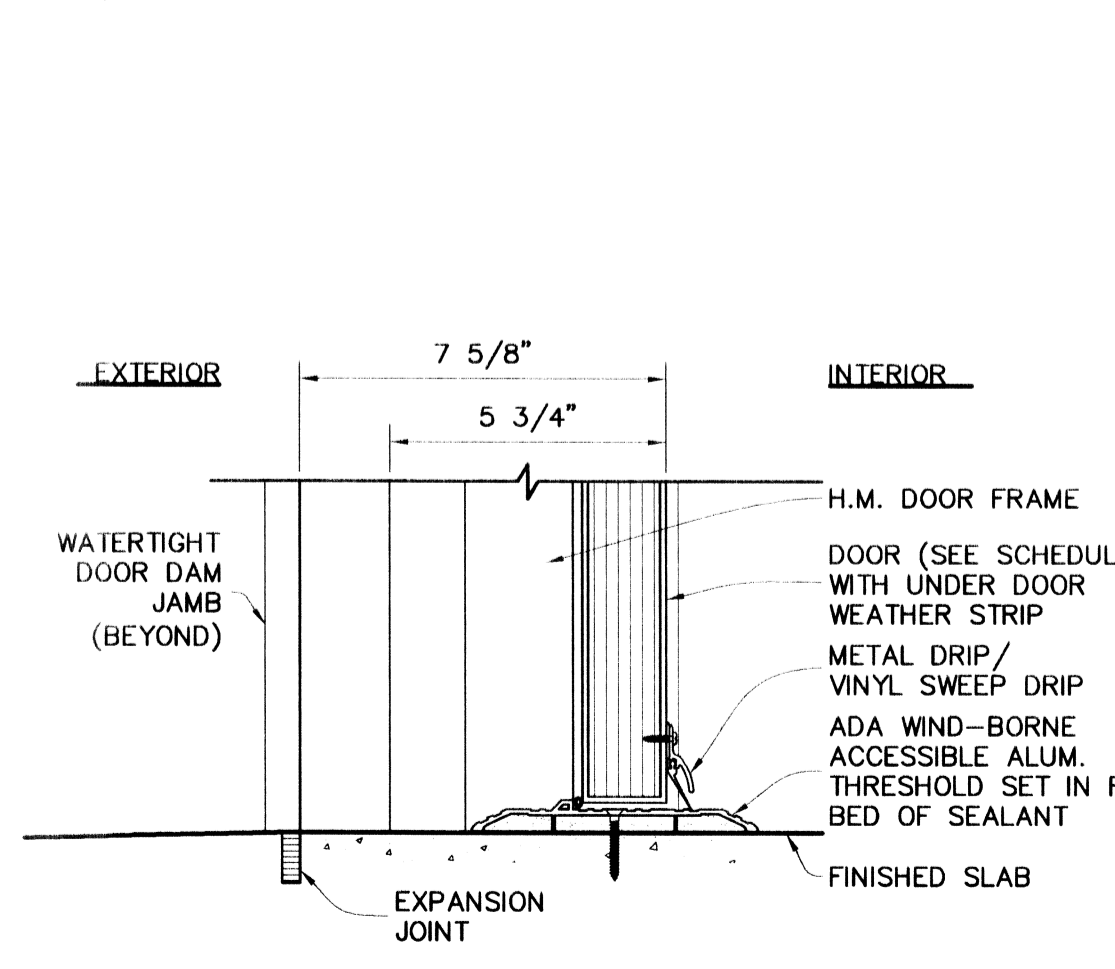
6 GLASS BLOCK JAMB  
A200/A200



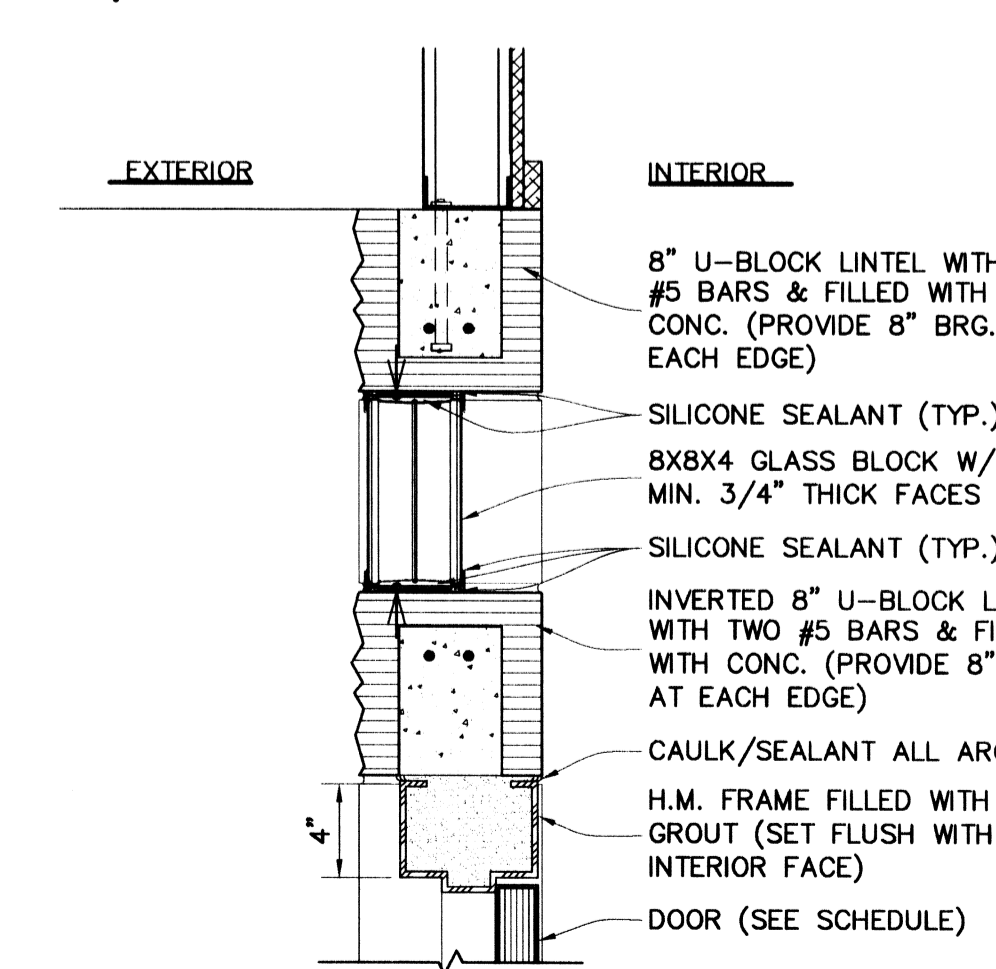
7 EXTERIOR DOOR JAMB  
A200/A200



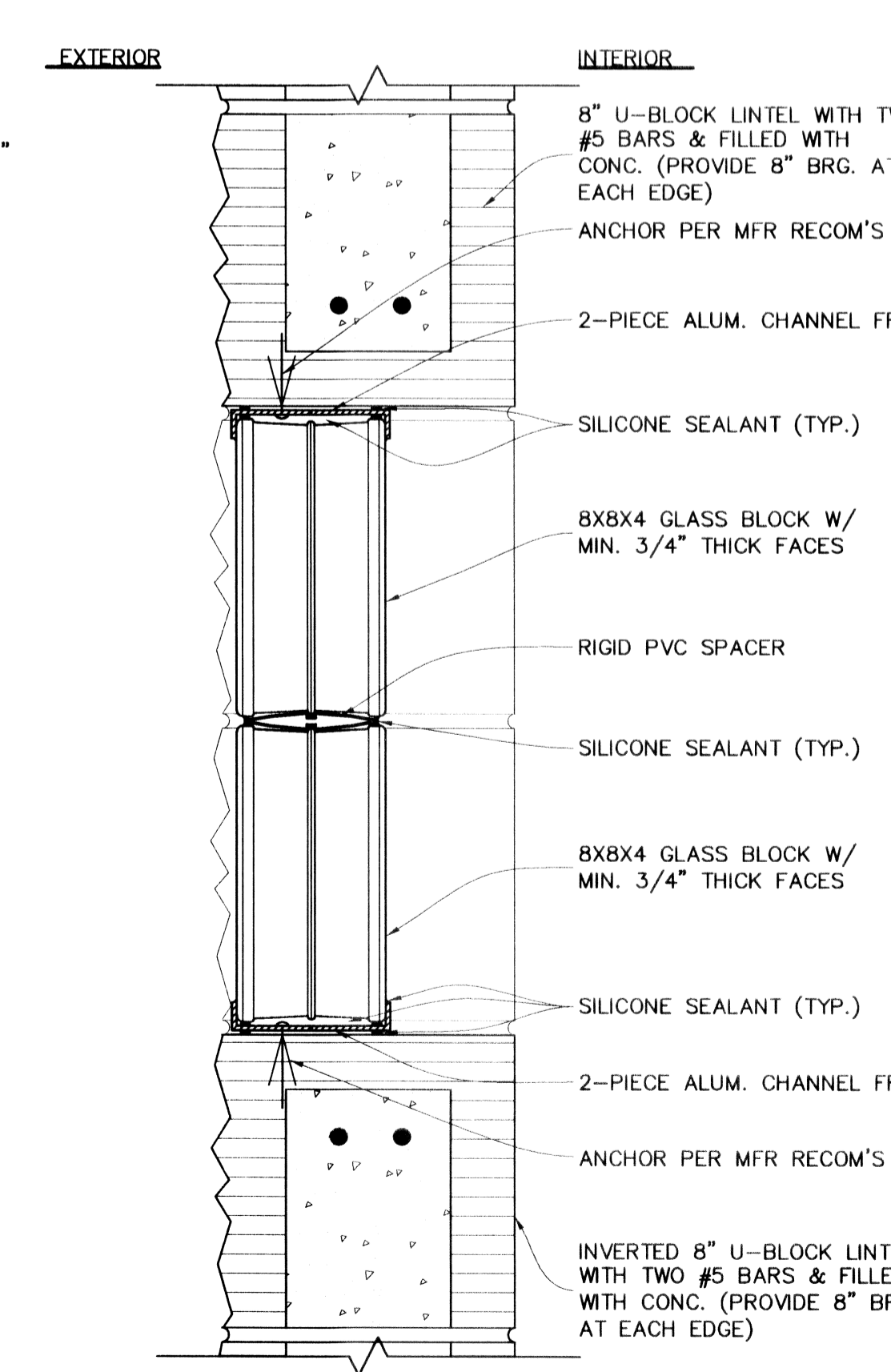
8 COLUMN DETAIL  
A100/A200



10 EXTERIOR DOOR THRESHOLD  
A200/A200



11 EXTERIOR DOOR HEAD  
A100/A200

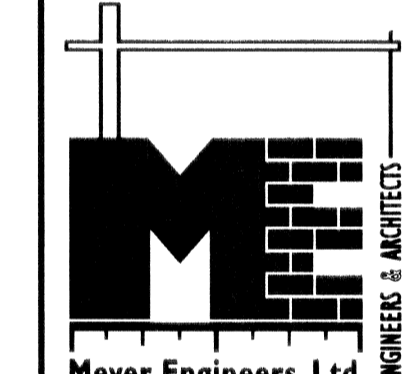


12 GLASS BLOCK DETAIL  
A200/A200

project no. 20-1320  
 drawn JMW  
 checked EGA JJP  
 date 02-14-2014  
 revised



**Meyer Engineers, Ltd.**  
 4937 Hearst Street, Suite 1B, Metairie, Louisiana 70001  
 2031 Claiborne Street, Mandeville, Louisiana 70448  
 phone.504.885.9892 . fax.504-887-5056  
 website.www.meyer-e-l.com



**BUILDING SECTION, DETAILS, & SCHEDULES**  
**HERITAGE PARK RESTROOM BUILDING**  
**CITY OF SLIDELL PARKS & RECREATION DEPT.**  
**CITY OF SLIDELL, OWNER**

sheet no. **A200**  
 of 10 sheets