

DIRECTORY	CIRC. NO.	BRK. AMPS	L1	L3	BRK. AMPS	CIRC. NO.	DIRECTORY
LIGHTS	1	20			20	2	HAND DRYER
LIGHTS	3	20			20	4	HAND DRYER
RECEPTACLES	5	20			100	6	WATER HEATER
RECEPTACLES	7	20			20	8	SPARE
HAND DRYER	9	20			20	10	SPARE
HAND DRYER	11	20			20	12	SPARE
SPACE	13				20	14	SPARE
SPACE	15				20	16	SPARE
SPACE	17				20	18	SPARE
SPACE	19				20	20	SPACE
SPACE	21				20	22	SPACE
SPACE	23				20	24	SPACE

VOLTAGE: 120/208V 3P.H. 4W. SN MAIN BUS: 200
 PANEL NO. L1
 MAIN BREAKER: MLO
 MOUNTING: RECESSED
 NOTE: 18K AIC, PROVIDE 240KA TVSS. SEE SPECIFICATIONS.
 LOC. SEE PLANS

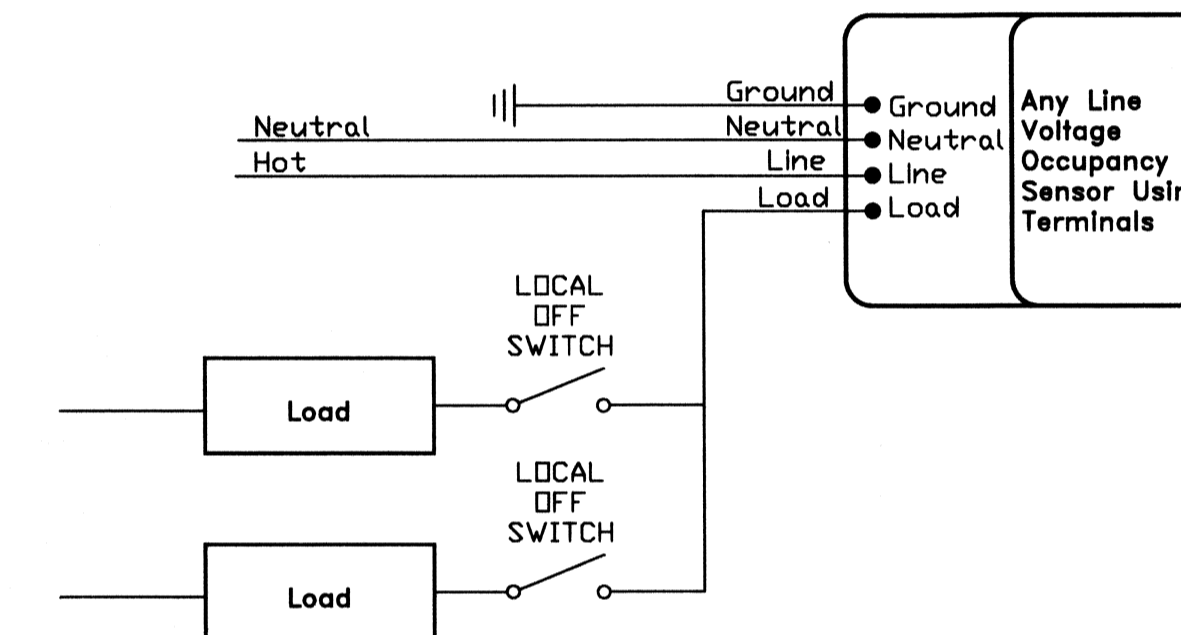
ELECTRICAL LEGEND

⌘	FLUSH MOUNTED, DECORA PADDLE, WALL SWITCH WITH STAINLESS STEEL DEVICE PLATE, SINGLE POLE, 20A, 120/277V, SATIN FINISH, MOUNTED AT 48" A.F.F. TO CENTERLINE OR AS NOTED.
⌘, ⌘, ⌘	WALL SWITCHES WITH SAME SPECS AS ABOVE EXCEPT: 3-WAY, 4-WAY
⌘	TWO WALL SWITCHES COMBINED FOR SWITCHING DUAL BALLAST FIXTURES. ONE SWITCH FOR THE OUTSIDE LAMPS AND ONE FOR THE INSIDE LAMP.
⌘	FLUSH WALL MOUNTED DUPLEX RECEPTACLE, 20A, 120V, MOUNTED AT 18" A.F.F. TO CENTERLINE OR AS NOTED.
⌘	DUPLEX RECEPTACLE WITH SAME SPECS AS ABOVE WITH INTERNAL GROUND FAULT CIRCUIT INTERRUPTER.
⌘	DUPLEX RECEPTACLE WITH SAME SPECS AS ABOVE WITH INTERNAL GROUND FAULT CIRCUIT INTERRUPTER AND A WEATHERPROOF COVER.
⌘	FUSED DISCONNECT SWITCH.
⌘	PANELBOARD, SURFACE OR RECESSED AS SHOWN
⌘ #10	CONDUIT AND WIRE CONCEALED IN WALL OR ABOVE CEILING. THE ARROW INDICATES A HOMERUN TO THE PANEL. SLASHES MARKS INDICATE THE NUMBER OF #12 WIRES IN THE CONDUIT, ABSENCE OF SLASHES IS (2) #12.
A-27	SIZE CONDUIT PER N.E.C. A SEPARATE EQUIPMENT GROUND IS REQUIRED BUT IT IS NOT DENOTED WITH A SLASH. #10 DENOTES AN INCREASE IN THE WIRE SIZE.
⌘	JUNCTION BOX WITH COVER PLATE
WP/RT	WEATHERPROOF/RAIN TIGHT
NL	UNSWITCHED NIGHT LIGHT
E	EMERGENCY FIXTURE
A.F.F./A.F.G.	ABOVE FINISHED FLOOR OR GRADE
CT	COUNTER TOP HEIGHT (COORDINATE RECEPTACLE HEIGHT WITH BACKSPLASH)
⌘	WATTSTOPPER DT-355, WITH CA-1 COVER ADAPTER, MOTION SENSOR. CONNECT TO LIGHTING PER MANUFACTURER'S RECOMMENDATIONS. SEE DETAIL THIS SHEET.
C	CONDUIT
⌘	PHOTOCELL

LIGHTING FIXTURE SCHEDULE

MARK	DESCRIPTION AND CATALOG NUMBER	LAMP TYPE
F1	1X4, 2 LAMP, VANDAL RESISTANT, ELECTRONIC BALLASTS, < 10% THD, COLOR BY ARCHITECT COOPER FSRC-PP-64-A-UNV-XX 120V	2-32W T-8
F1E	SAME AS F1 EXCEPT WITH BODINE B-50 COLD PAK EM BALLAST 120V	2-32W T-8
F2	SURFACE MOUNTED, VANDAL RESISTANT, COLOR BY ARCHITECT COOPER TRF15-C-1/42-DT-XX 120V	1-42W TRT

NOTE: OR EQUAL BY LITHONIA OR KENNALL, ALL BALLASTS SHALL BE COLD WEATHER RATED.



FOR 3 WAY SWITCHES ROUTE THROUGH SENSOR BEFORE POWERING SWITCH

DT-355 SENSOR DETAIL

n.t.s.

SPECIFIC NOTES THIS SHEET

- 1 NEW METER. GROUND AND INSTALL PER UTILITY COMPANY STANDARDS.
- 2 3#2/0 AWG IN 2" C. ROUTED MINIMUM 25' UP UTILITY PROVIDER POLE WITH WEATHERHEAD. COORDINATE WITH UTILITY PROVIDER. LEAVE SLACK FOR ENTERGY TERMINATIONS
- 3 3/4" X 10' COPPER BONDED, DRIVEN, GROUND ROD. CONNECT TO NEUTRAL BUS IN ENCLOSED BREAKER WITH #4 GRD. BOND NEUTRAL TO GROUND WITH #4 AWG.
- 4 3#2/0 AWG IN 2" C.

GENERAL NOTES THIS SHEET

- A. PROVIDE GALVANIZED C CHANNEL FRAMING AS NECESSARY TO MOUNT ELECTRICAL GEAR AND EQUIPMENT.

