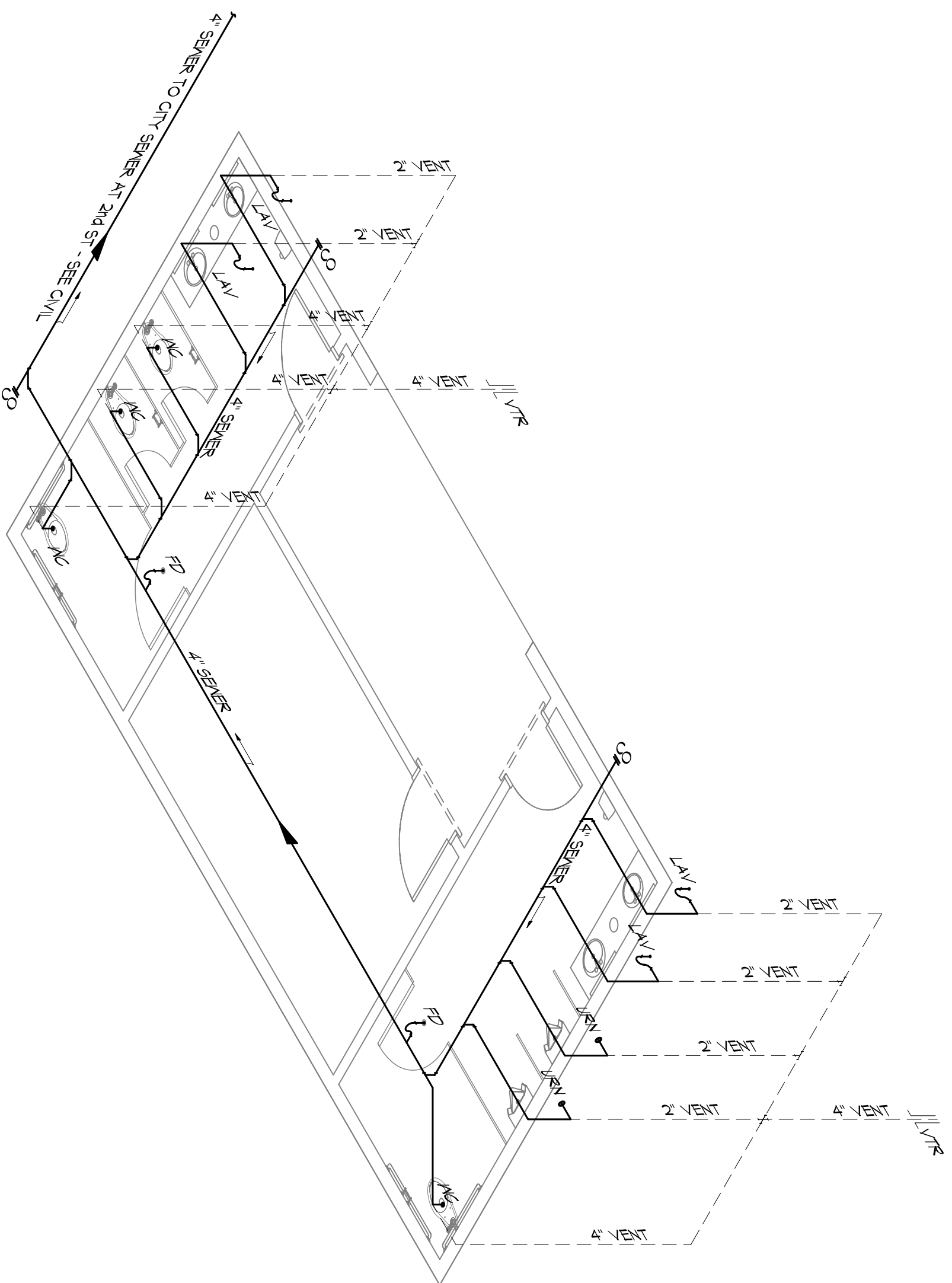
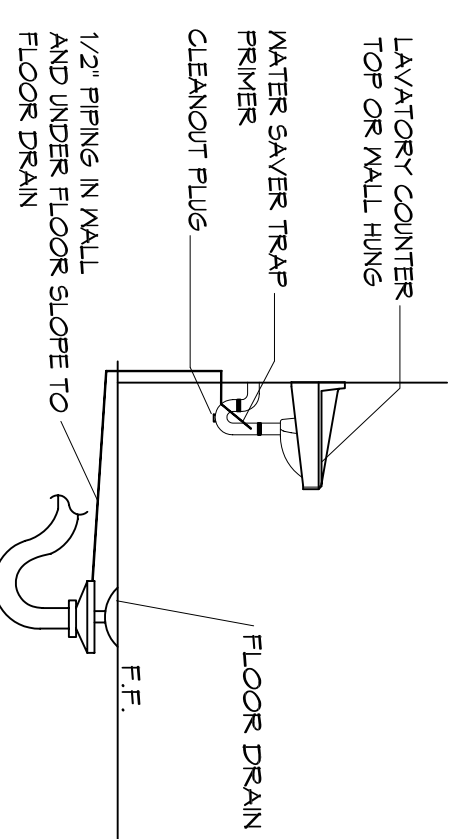


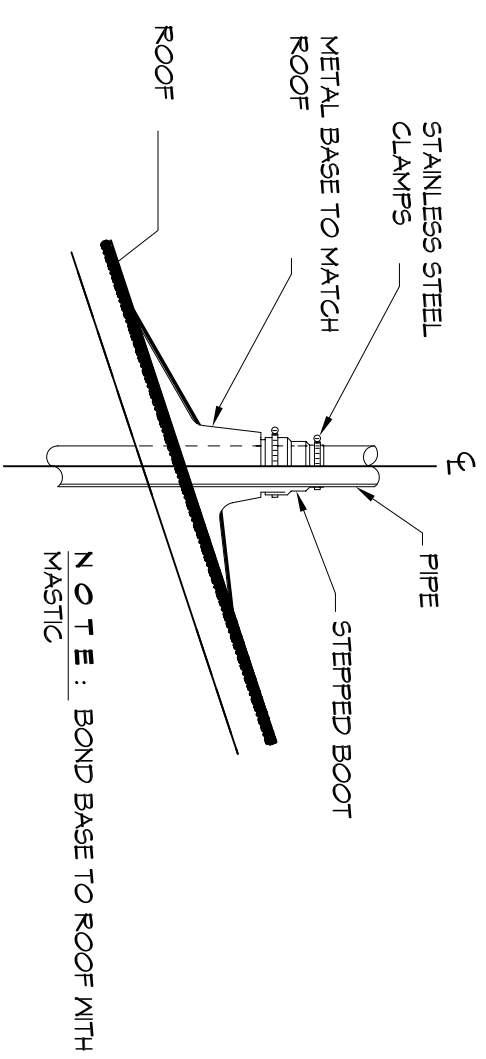
PLUMBING PLAN
SCALE: 1/4" = 1'-0"



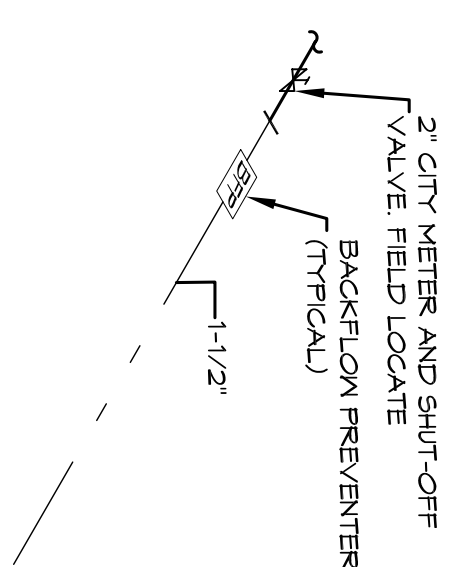
PLUMBING RISER DIAGRAM
SCALE: 1/4" = 1'-0"



3 TYPICAL DETAIL
SCALE: 1/4" = 1'-0"
FLOOR DRAIN



4 TYPICAL DETAIL
SCALE: 1/4" = 1'-0"
VENT THRU ROOF



5 TYPICAL DETAIL
SCALE: 1/4" = 1'-0"
WATER METER SERVICE

PLUMBING FIXTURE SCHEDULE						
ITEM	DESCRIPTION	SOIL OR WASTE	VENT	COLD WATER	HOT WATER	NOTES
WC	WATER CLOSET	4"	4"	1"	—	KOHLER K-4486 WITH 2-IN 2-6000X SUPPLY FITTING AND SERVICE 32756 ELONGATED WHITE SEAT WITH BOLT CAPS. 1 4 2
URN	URINAL WALL HUNG	1 1/2"	1 1/2"	1"	—	KOHLER K-5016-T WITH 2-IN 2-6003X SUPPLY FITTING. PROVIDE Z-1222 URINAL CARRIER W/ BEARING FLATE 1 4 2
LAV	LAVATORY	1 1/2"	1 1/2"	1/2"	—	AMERICAN STANDARD AQUALYN DROP-IN SINK 0-475-0-471 WITH BRADLEY AERADA 1200 SERIES 2 4 3
FD	FLOOR DRAIN	3"	2"	—	—	COATED CAST IRON WITH ADJUSTABLE NICKEL BRONZE GRATE. TRAP PRIMER CONNECTION AND DEEP SEAL TRAP EQUAL TO JAY R. SMITH 2010-B-P. 2
WCO	WALL CLEAN-OUT	—	—	—	—	MADE #W-8453-R6 WITH BRASS PLUG AND ROUND STAINLESS STEEL SECURED ACCESS COVER. 2
EF	CEILING EXHAUST FAN	—	—	—	—	EXHAUST FAN WITH GRILL AND BACKDRAFT DAMPER. GREENHECK SP-A200. T-0. 1/2" UP TO GREENHECK VDL RCC-T CURB CAP W/CURB ON ROOF. 2

1. PROVIDE ADA FIXTURE.
2. PROVIDE LISTED FIXTURES OR EQUIV.
3. INSULATE PIPING FOR HANGDOWN FIXTURE.

PLUMBING NOTES

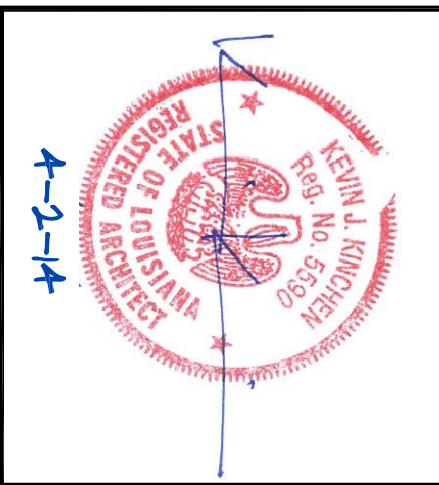
1. PROVIDE ALL LABOR, MATERIAL, AND EQUIPMENT FOR A COMPLETE OPERATING SYSTEM. THE SYSTEM SHALL INCLUDE COLD WATER PIPING, SEWER AND VENT PIPING, INSULATION, HANGERS, VALVES, SUPPORTS WITHOUT ANY RESTRICTIONS TO COLUMN, GIRT AND PATCH AS REQUIRED TO INSTALL PIPES.
2. ALL WORK AND MATERIAL SHALL CONFORM STRICTLY TO THE LATEST LOCAL, CITY, PARISH, STATE AND NATIONAL GOVERNING CODES.
3. CONTRACTOR SHALL BE RESPONSIBLE TO VERIFY THE EXISTING INVERTS AND SET NEW INVERTS OF SEWERAGE AND DRAINAGE PIPES.
4. CONTRACTOR IS RESPONSIBLE TO VERIFY THE EXISTING INVERTS AND SET NEW INVERTS OF SEWERAGE AND DRAINAGE PIPES.
5. SEWERAGE LINES 3-INCH AND SMALLER SHALL BE SLOPED 1/4" PER FOOT AND LINE 4-INCH AND LARGER SHALL BE 1/8" PER FOOT.
6. TEST ALL PIPING AT REQUIRED PRESSURE.
7. ALL PIPING SHALL BE CLOSELY COORDINATED WITH STRUCTURAL SYSTEM, MECHANICAL SYSTEM AND ELECTRICAL TO INSURE NO TRADES WILL CONFLICT WITH EACH OTHER.
8. DO NOT BE ALLOWED TO BE LOCATED IN ROOMS, HALLS, STAIRS, ETC.
9. ALL JOINTS SHALL BE ALLOWED UNDER THE SLAB.
10. DOMESTIC HOT AND COLD WATER PIPING AND FITTINGS UNDER SLAB SHALL BE ASTM B308 COPPER WATER TUBE, TYPE K SOFT ANNEALED. NO JOINTS SHALL BE ALLOWED UNDER THE SLAB.
11. DOMESTIC WATER PIPING AND FITTINGS ABOVE THE SLAB SHALL BE ASTM B308 COPPER WATER TUBE, TYPE L HARD DRAWN WITH COPPER PRESSURE TIE FITTINGS, ANSI B16.22. THE JOINTS SHALL BE SOLDERED USING ASTM B32 ALLOY GRADE 55A (95-5) SOLDER WITH BELL AND SPIGOT ENDS AND ONE PIECE NEOPRENE INSERT TYPE GARRET USE PVC SCHEDULE 40 OR ABS DRY PIPES AND FITTINGS WITH BELL AND SPIGOT ENDS AND ONE PIECE NEOPRENE INSERT TYPE GARRET USE PVC SCHEDULE 40 OR ABS DRY PIPES AND FITTINGS INSULATION AND JACKET.
12. ALL ELECTRICAL, MECHANICAL AND PLUMBING PENETRATING FIRE PARTIONS SHALL BE FIRE CALKED (PENETRATIONS THROUGH RATED CONSTRUCTION SHALL BE SEALED WITH A MATERIAL CAPABLE OF PREVENTING THE PASSAGE OF FLAMES AND HOT GASES WHEN TESTED IN ACCORDANCE WITH ASTM-E814).
13. ALL PIPING LINES SHOWN ARE DIAGRAMATIC.
14. ALL PIPING LINES SHOWN ARE DIAGRAMATIC.
15. ALL PIPING LINES SHOWN ARE DIAGRAMATIC.

DAMMON ENGINEERING, INC.
Architects & Engineers

Chief Architect: Kevin J. Kinchen, NCBAB
Chief Engineer: Brian Mistich, PE
554 Old Spanish Trail
Stidell, LA 70458

www.dammonengineering.com
info@dammonengineering.com
PH: 985.649.5832
F: 985.641.5950

REVISIONS	
#	DESCRIPTION



2602 2nd STREET RESTROOMS / VETERANS PARK IMPROVEMENTS

2602 2nd STREET
SLIDELL, LOUISIANA, 70458

JOB No: 2170 DATE: 4/2/2014

DRAWN BY: CKD CHECKED BY: CKD