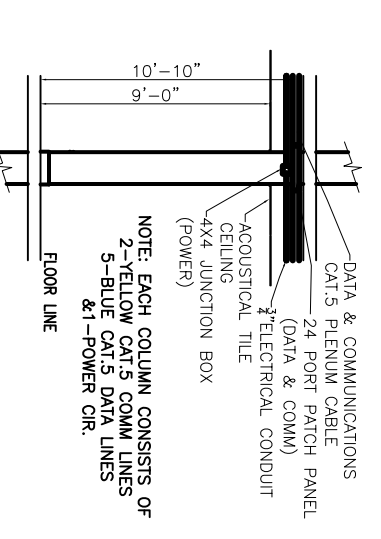


- LEGEND**
- NEW DUPLEX RECEPTACLE
 - ⊙ EXHAUST FAN
 - ▲ SECURITY ACCESS DOOR (SCANNER BY OTHERS)
 - ◊ COMM @ DATA WALL PORT
 - ⊙ COLUMN MOUNTED UTILITY
 - ⊙ FUTURE TELEPHONE DATA & POWER FLOES BY OTHERS
- NOTES**
- ALL NEW POWER PANELS ARE TO BE MOUNTED ON THE NORTH WALL OF THE MECHANICAL ROOMS



2ND FLOOR POWER PLAN

ST. TAMMANY PARISH ADMIN. COMPLEX
OLD SPANISH TRAIL
SLIDELL, LOUISIANA

RENOVATE OFFICE BUILDING

DAMMON ENGINEERING, INC.

1095 FLORIDA AVENUE 985-649-5832 SLIDELL, LA. 70458
DAMMONENGINEERING.COM

SHEET

E2P

SCALE: AS NOTED

FILE:

JOB NO. 1729

DATE: 1-8-07

REVISED: 03/07/07
REVISED: 01/23/07