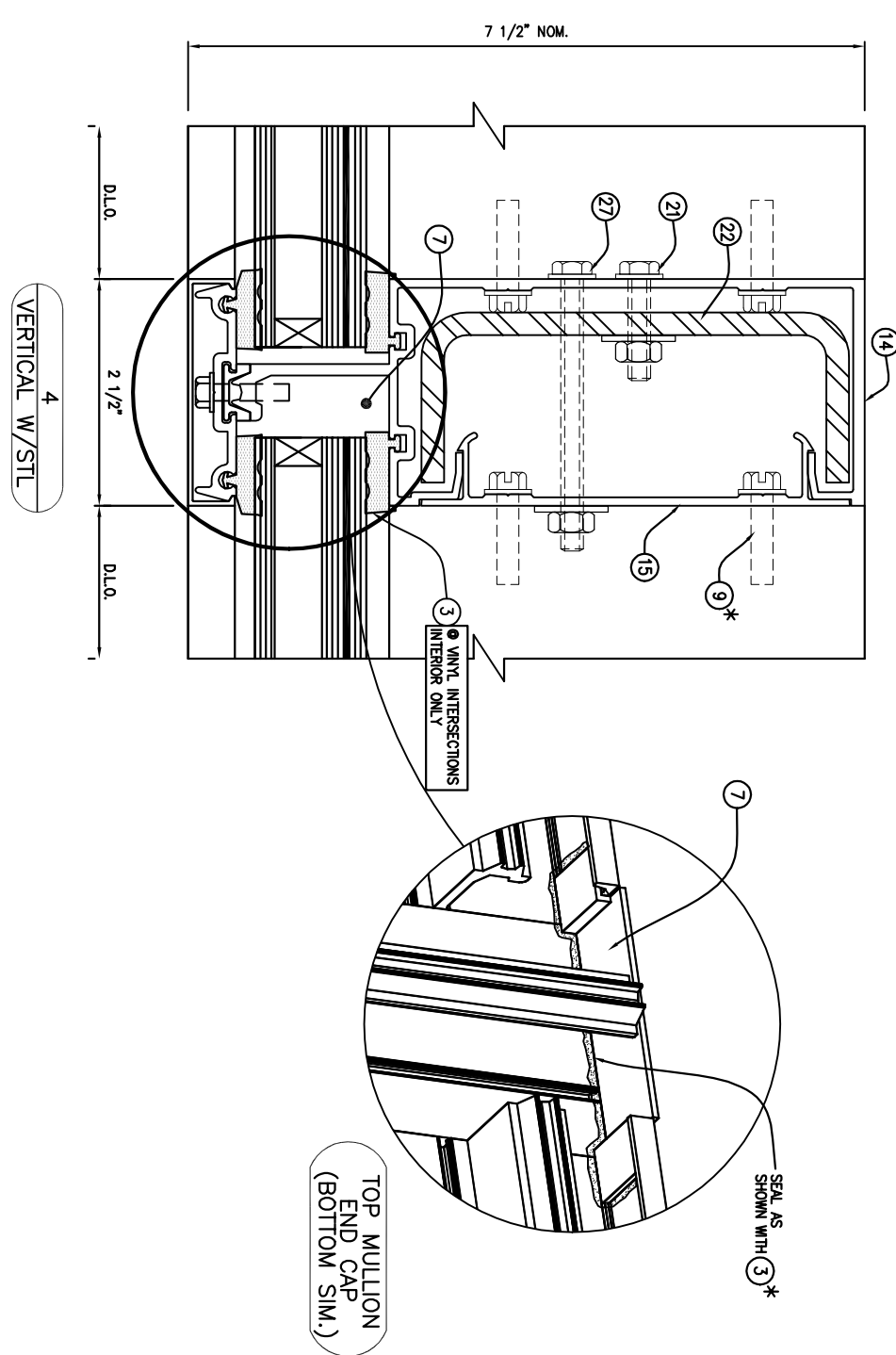


- * 1 TYPICAL EXTERIOR GASKET
- * 2 TYPICAL INTERIOR GLAZING GASKET
- * 3 TYP. SEALANT
- * 4 TYPICAL PERIMETER GASKET
- * 5 TYPICAL PRESSURE BAR ISOLATOR
- * 6 TYPICAL PERIMETER SEALANT
- * 7 TYPICAL SPUNE SCREW
- * 8 TYPICAL EXTERIOR GASKET
- * 9 TYPICAL INTERIOR GLAZING GASKET
- * 10 TYPICAL PERIMETER GASKET
- * 11 TYPICAL PRESSURE BAR FASTENER
- * 12 TYPICAL COVER
- * 13 TYPICAL PRESSURE BAR
- * 14 USED @ EACH END OF HORIZONTALS
- * 15 TYPICAL @ ALL JOINT INTERSECTIONS
- * 16 LOCATE (1) AT EA. INTERMEDIATE HORIZONTAL
- * 17 LOCATE (1) AT EA. INTERMEDIATE HORIZONTAL
- * 18 LOCATE (1) AT EA. INTERMEDIATE HORIZONTAL
- * 19 LOCATE (1) AT EA. INTERMEDIATE HORIZONTAL
- * 20 LOCATE (1) AT EA. INTERMEDIATE HORIZONTAL
- * 21 LOCATE (1) AT EA. INTERMEDIATE HORIZONTAL
- * 22 LOCATE (1) AT EA. INTERMEDIATE HORIZONTAL
- * 23 LOCATE (1) AT EA. INTERMEDIATE HORIZONTAL
- * 24 LOCATE (1) AT EA. INTERMEDIATE HORIZONTAL
- * 25 LOCATE (1) AT EA. INTERMEDIATE HORIZONTAL
- * 26 LOCATE (1) AT EA. INTERMEDIATE HORIZONTAL
- * 27 LOCATE (1) AT EA. INTERMEDIATE HORIZONTAL
- * 28 LOCATE (1) AT EA. INTERMEDIATE HORIZONTAL



TOP MULLION END CAP (BOTTOM SIM.)

SEAL AS SHOWN WITH 3*

PROJECT: H.T.L. TEST
 DRAWN: H.T.L. TEST
 DATE: 04/19/06
 SCALE: 1/2" = 1'-0"
 DRAWING NO.: HR-251DG_01
 SHEET: 3 OF 6

H.T.L. TEST DRAWINGS
 HR-251DG CURTAIN WALL
 PROTOCOLS: PA 201-202-203
 FRAMING DETAILS

VISTAWALL
 ARCHITECTURAL PRODUCTS
 8655 ELM. FAIR BLVD. TAMPA, FL. 33610
 THE VISTAWALL GROUP
 BUTLER MANUFACTURING COMPANY

REV	BY	DATE	DESCRIPTION