

SPLIT SYSTEM SCHEDULE																			
AIR HANDLER							CONDENSING UNIT						REMARKS						
TAG	MAKE/MODEL	NOMINAL TONS	TOTAL CFM	OA CFM	Motor HP	ESP (" WC)	HEAT KW	POWER											
								VAC	PH	MCA	MAX FUSE (AMPS)								
AHU-1	Trane TEM6A0C60	5	1890	460	3/4	0.4	7.6	240	1	44	45	CU-1	Trane 4TTZ6060	5	240	1	34	60	1, 2, 3

- NOTES:
1. Provide condensate overflow switch & programmable 7/24 thermostat with lockable cover.
 2. Install units in accordance with manufacturer's recommendations.
 3. Provide new filters after commissioning and final acceptance.

DIFFUSER SCHEDULE				
TAG	SERVICE	NECK SIZE	DESCRIPTION	REMARKS
A	Supply Air	Ref. Plan	24"x 24" Adjustable Square Cone Diffuser, Price ASCDA w/ Insulated Back Panel	1, 2, 3
B	Supply Air	Ref. Plan	12"x 12" Adjustable Square Cone Diffuser, Price ASCDA w/ Insulated Back Panel	1, 2, 3
C	Return Air	Ref. Plan	24" X 24" Perforated, Ducted Return, Titus PAR	1, 2, 3
D	Return Air	Ref. Plan	12" X 12" Perforated, Ducted Return, Titus PAR	1, 2, 3

- Notes:
1. Seal perimeter of diffusers/grilles to prevent moisture migration from attic space, as applicable
 2. R value of insulated back panels/plenums to exceed R-6
 3. Coordinate with owner / architect for color and finish

MIN-SPLIT SCHEDULE												
AIR HANDLER					OUTDOOR UNIT							
Tag	Make/Model	Cooling (MBH)	Heating (BTUH)	Remarks	Tag	Make/Model	Rated Capacity (MBH)	Power			Remarks	
								VAC	PH	MCA		
MS-1	Daikin FTX09	9	9,000	1, 2, 3	HP-1	Daikin RX09	9	240	1	12.1	15	1

- NOTES:
1. Install per Manufacturer's recommendations
 2. Provide new filters after commissioning and final acceptance.
 3. Furnish with condensate pump removal kit and pan "Safe-T" float switch

EXHAUST FAN SCHEDULE									
TAG	FAN			POWER			MAKE / MODEL	REMARKS	
	AIRFLOW (CFM)	TSP (" wc)	Watts	TYPE	VAC	PH			HZ
EF-1	130	0.2	98	Ceiling Exhaust	120	1	60	Cook GC-148	1, 2

1. Install per manufacturer's recommendations
2. Furnish with inline aluminum grille

DEHUMIDIFIER SCHEDULE							
TAG	PART NUMBER	WATTS	PHASE	VOLTS	AMPS	DUCT SIZES	
						INLET	OUTLET
DH	ULTRA - AIRE - XT155H	920 @ 80°F & 60% RH	SINGLE	110-120	8	10" ROUND DUCT COLLAR 6" ROUND DUCT COLLAR	10" OVAL DUCT COLLAR

GAS FIRED HEATER SCHEDULE									
TAG	LOCATION	BTUH INPUT	CFM	HP	VOLTS	PHASE	RPM	FLUE DIA.	DESCRIPTION
GUH	ENGINE BAY	85000	1650	1/8	120	SINGLE	1550	3"	98% EFFICIENT CONDENSING FURNACE GAS HEATER WITH SEPARATE COMBUSTION, POWERED EXHAUST AND CONCENTRIC COMBUSTION/ EXHAUST KIT PROVIDED OPTONIC 409 55 HEAT EXCHANGER. MODINE PTC-85-55-01

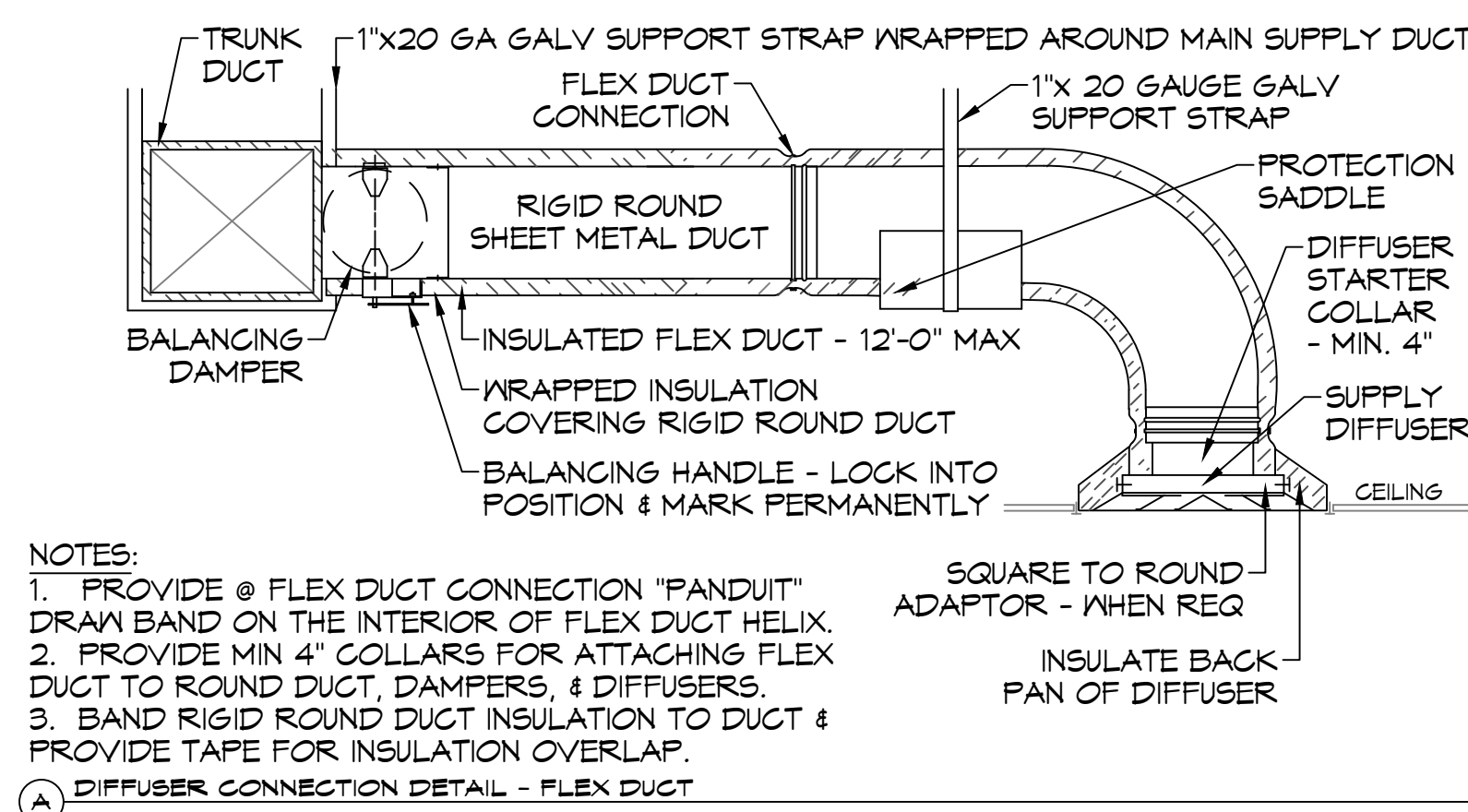
ELECTRIC WATER HEATER SCHEDULE								
TAG	GAL	RECOVERY 80°F RISE	KW	VOLT	PHASE	MOUNT	PIPE SIZE	DESCRIPTION
WH	47*	61	12	208	SINGLE	ATTIC	1"	RHEEM ELDS-25

* PROVIDED HOLDRITE 50-SNHP-N WALL MOUNT KIT. MOUNT 6'-8" A.F.F.

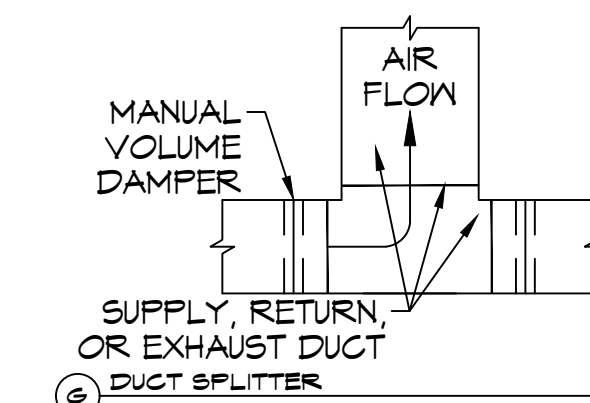
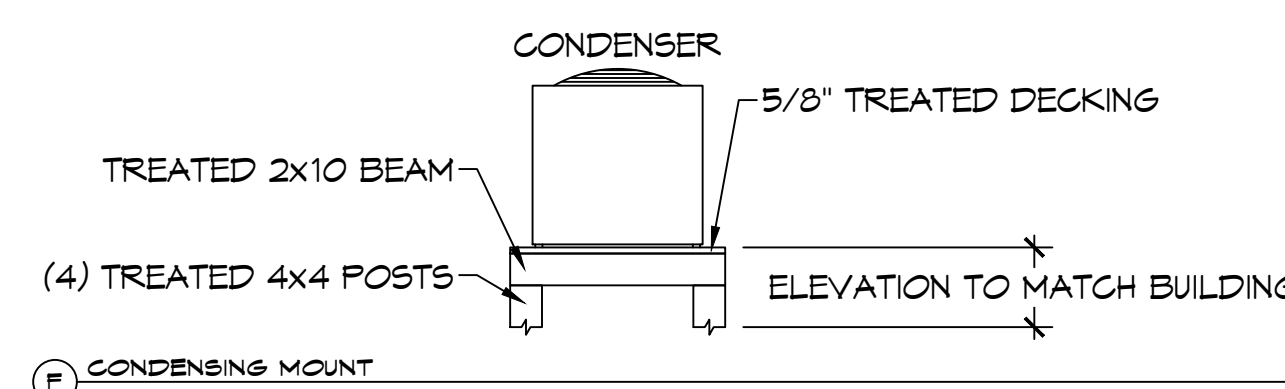
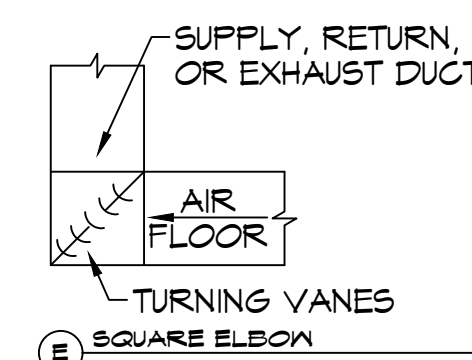
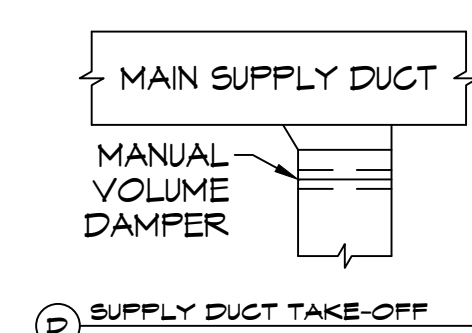
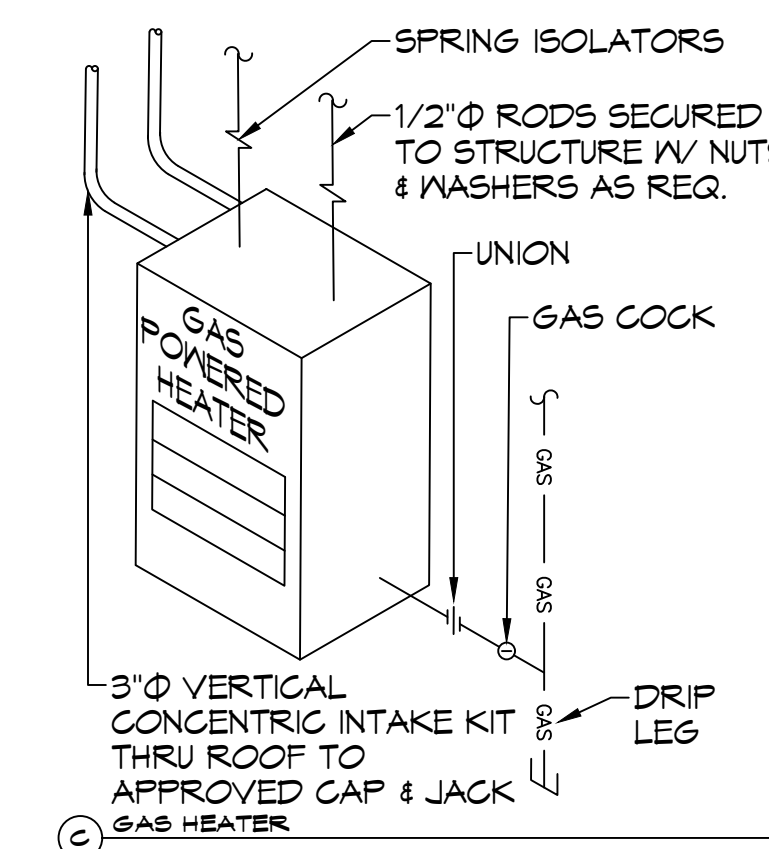
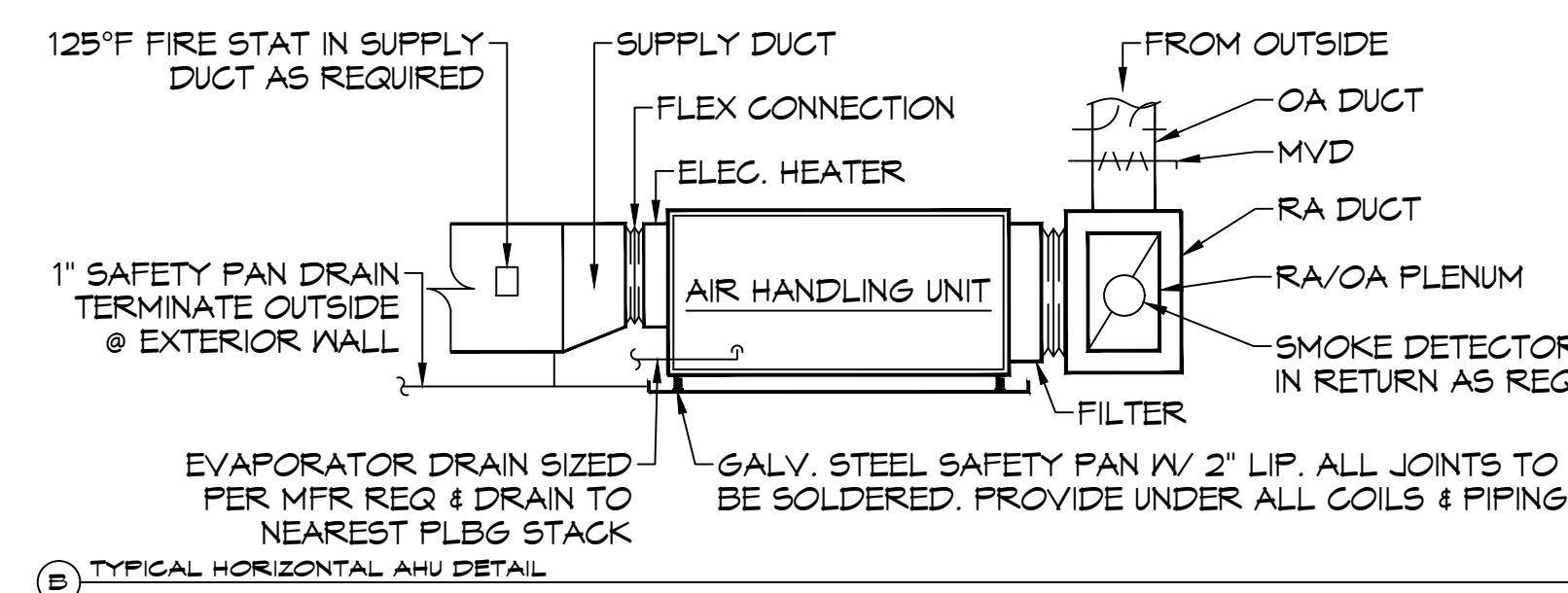
AIR HAWK SCHEDULE								
TYPE	PART NUMBER	(CFM)	RPM	STATIC PRESSURE (IN - WC)	VOLTS / PHASE	HP	BREAKER	QTY
AIR HAWK	AH-3000XL	2740	1100	1.85 SO	208/240 V 1PH	1	15 AMP	3

HYLS FAN SCHEDULE						
TAG	LOCATION	SIZE	RPM	HP	FR	DESCRIPTION
F7B	ENGINE BAY	8' DIA.	191	1	1	HYLS 8'Ø FAN WITH VFD AND WALL MOUNTED CONTROL PANEL BIG ASS FANS POWERFOIL 8-08

VEHICLE EXHAUST SYSTEM			
DESCRIPTION	PART NUMBER	QTY	REMARKS
CONTROL PANEL	600627 - 01	1	
PHOTO EYES	600701		



- NOTES:
1. PROVIDE @ FLEX DUCT CONNECTION "PANDUIT" DRAW BAND ON THE INTERIOR OF FLEX DUCT HELIX.
 2. PROVIDE MIN 4" COLLARS FOR ATTACHING FLEX DUCT TO ROUND DUCT, DAMPERS, & DIFFUSERS.
 3. BAND RIGID ROUND DUCT INSULATION TO DUCT & PROVIDE TAPE FOR INSULATION OVERLAP.



TYPICAL DETAILS
SCALE: N.T.S.

DAMMON ENGINEERING, INC.
LOUISIANA & MISSISSIPPI
Chief Engineer: Brian March, PE
554 Old Spanish Trail
Stell, LA 70458
www.dammonengineering.com
info@dammonengineering.com
PH: 985.649.8832

REVISIONS	DATE
# DESCRIPTION	

ST. TAMMANY FIRE PROTECTION DISTRICT NO. 1
FIRE STATION 19
ALLEN ROAD
SUDBELL, LOUISIANA 70461
JOB No: 09-22-2022
DATE: 09-22-2022
DRAWN BY: CKD
CHECKED BY: JMS

SHEET TITLE:
MECHANICAL DETAILS AND SCHEDULES
DRAWING NUMBER:
M102
SHEET No: 10 of x