

SPLIT DX SYSTEM SCHEDULE																				
TAG	MAKE/MODEL	NOMINAL TONS	TOTAL CFM	AIR HANDLER				HEAT KW	POWER				TAG	MAKE/MODEL	NOMINAL TONS	CONDENSING UNIT				REMARKS
				OA CFM	Motor HP	ESP (" WC)	VAC		PH	MCA	MAX FUSE (AMPS)	VAC				PH	MCA	MAX FUSE (AMPS)		
AHU-1	Trane TEM6A0C60	5	1890	460	3/4	0.4	7.6	240	1	44	45	CU-1	Trane 4TT26060	5	240	1	34	60	1, 2, 3	

NOTES:
 1. Provide condensate overflow switch & programmable 7/24 thermostat with lockable cover.
 2. Install units in accordance with manufacturer's recommendations.
 3. Provide new filters after commissioning and final acceptance.

DIFFUSER SCHEDULE				
TAG	SERVICE	NECK SIZE	DESCRIPTION	REMARKS
A	Supply Air	Ref. Plan	24"x 24" Adjustable Square Cone Diffuser, Price ASCDA w/ Insulated Back Panel	1, 2, 3
B	Supply Air	Ref. Plan	12"x 12" Adjustable Square Cone Diffuser, Price ASCDA w/ Insulated Back Panel	1, 2, 3
C	Return Air	Ref. Plan	24" X 24" Perforated, Ducted Return, Titus PAR	1, 2, 3
D	Return Air	Ref. Plan	12" X 12" Perforated, Ducted Return, Titus PAR	1, 2, 3

Notes:
 1. Seal perimeter of diffusers/grilles to prevent moisture migration from attic space, as applicable
 2. R value of insulated back panels/plenums to exceed R-6
 3. Coordinate with owner / architect for color and finish

EXHAUST FAN SCHEDULE										
TAG	FAN				POWER			MAKE / MODEL	REMARKS	
	AIRFLOW (CFM)	TSP (" wc)	Watts	HP	TYPE	VAC	PH			HZ
EF-1	130	0.2	98		Ceiling Exhaust	120	1	60	Cook GC-148	1, 2
EF-2	1450	0.1		1/4	Attic Exhaust	120	1	60	Greenheck AE-12-433-A4X-QD	1, 3
EF-3	3480	0.1		1/3	Side Wall Exhaust	120	1	60	Greenheck S2-18-415-A3	1, 4
EF-4	100	0.1		5/7	Side Wall Exhaust	120	1	60	S&P SWF-100	1

1. Install per manufacturer's recommendations.
 2. Furnish with inline aluminum grille.
 3. Furnish with matching roof curb.
 4. Furnish with OSHA motor guard, weatherhood and backdraft damper.

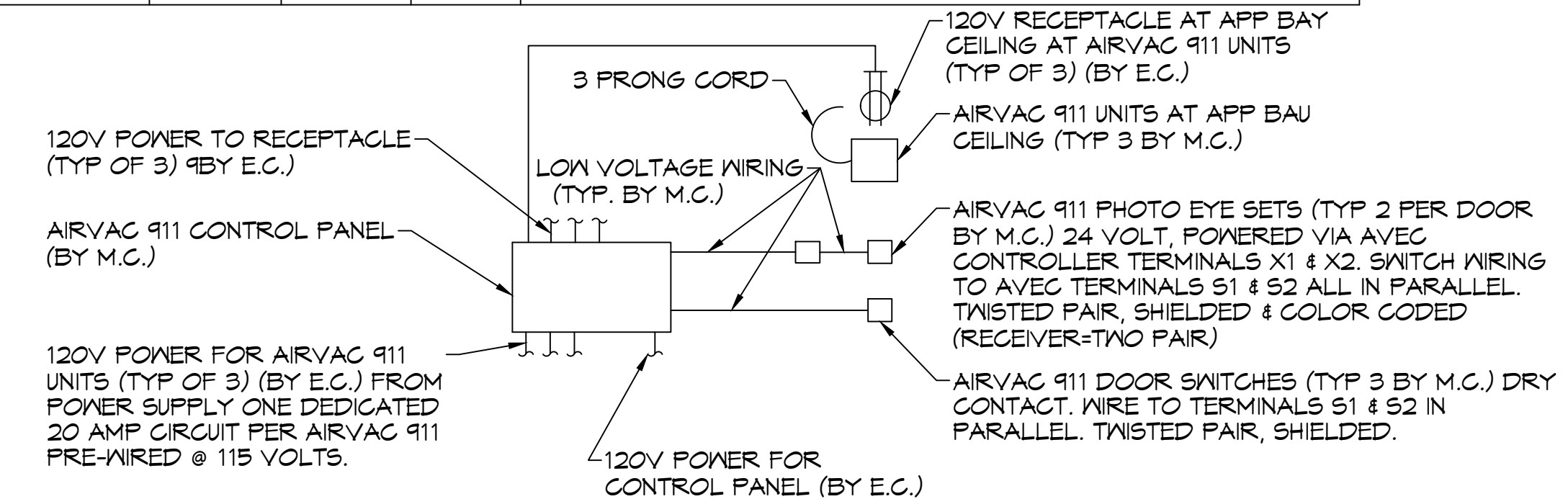
DEHUMIDIFIER SCHEDULE							
TAG	PART NUMBER	WATTS	PHASE	VOLTS	AMPS	DUCT SIZES	
						INLET	OUTLET
DH	ULTRA - AIRE - XT155H	920 @ 80°F & 60% RH	SINGLE	110-120	8	10" ROUND DUCT COLLAR & 6" ROUND DUCT COLLAR	10" OVAL DUCT COLLAR

GAS FIRED HEATER SCHEDULE									
TAG	LOCATION	BTUH INPUT	CFM	HP	VOLTS	PHASE	RPM	FLUE DIA.	DESCRIPTION
GUH-1,2	ENGINE BAY	85000	1650	1/8	120	SINGLE	1550	3"	93% EFFICIENT CONDENSING FURNACE GAS HEATER WITH SEPARATE COMBUSTION, POWERED EXHAUST AND CONCENTRIC COMBUSTION/ EXHAUST KIT PROVIDED OPTONIC 409 SS HEAT EXCHANGER. MODINE FTC-85-SS-01

ELECTRIC WATER HEATER SCHEDULE								
TAG	GAL	RECOVERY 80°F RISE	KW	VOLT	PHASE	MOUNT	PIPE SIZE	DESCRIPTION
WH	47*	61	12	208	SINGLE	ATTIC	1"	RHEEM ELDS-52

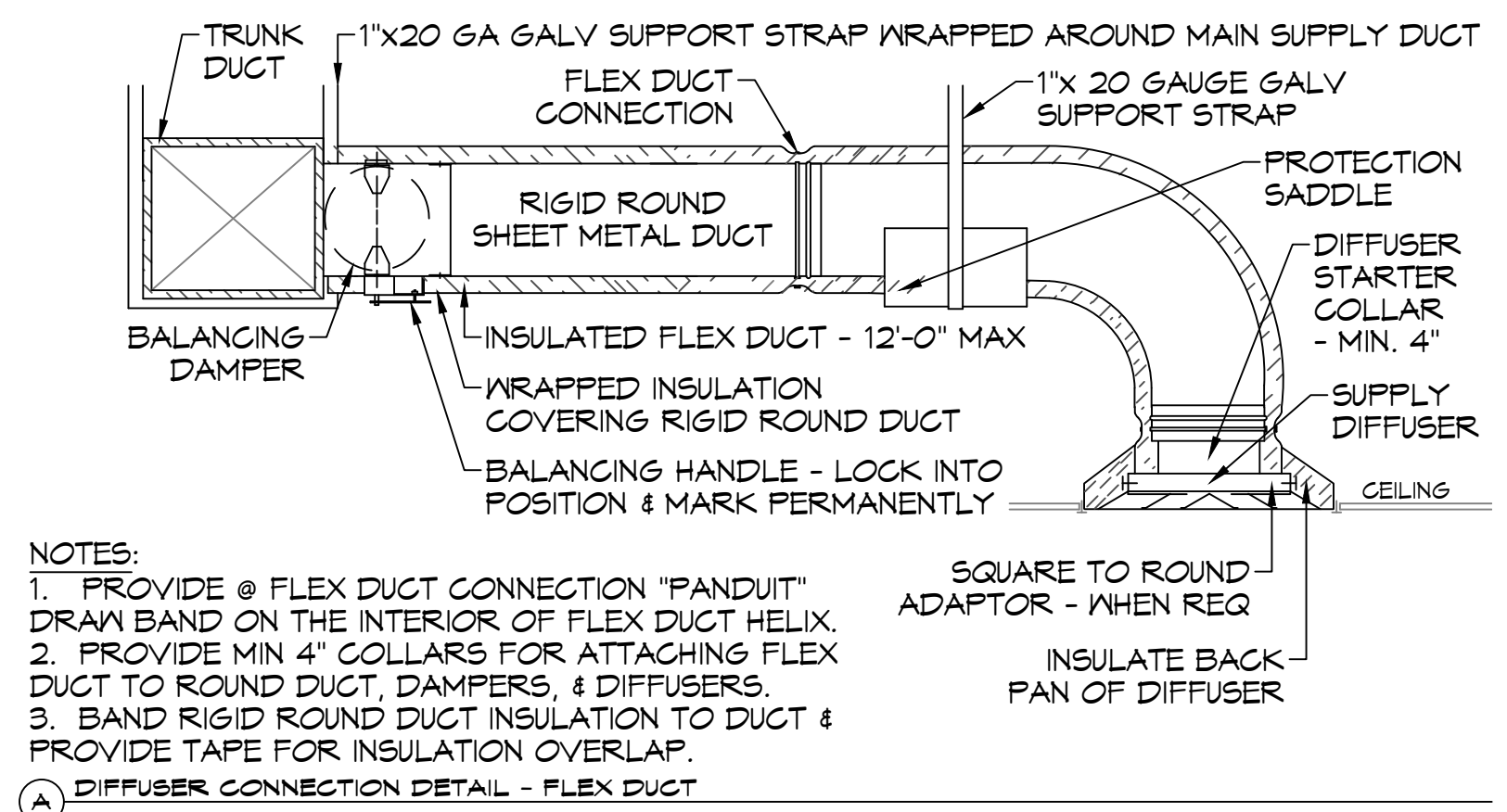
* PROVIDED HOLDRITE 50-SWHP-W WALL MOUNT KIT. MOUNT 6'-8" A.F.F.

AIR VAC EXHAUST			
PART NUMBER	MOTOR	ELECTRIC	QTY
AIR VAC 911 EXHAUST REMOVAL SYSTEM	3/4 HP	115VOLT, SINGLE PHASE, 13 FL AMP5	3

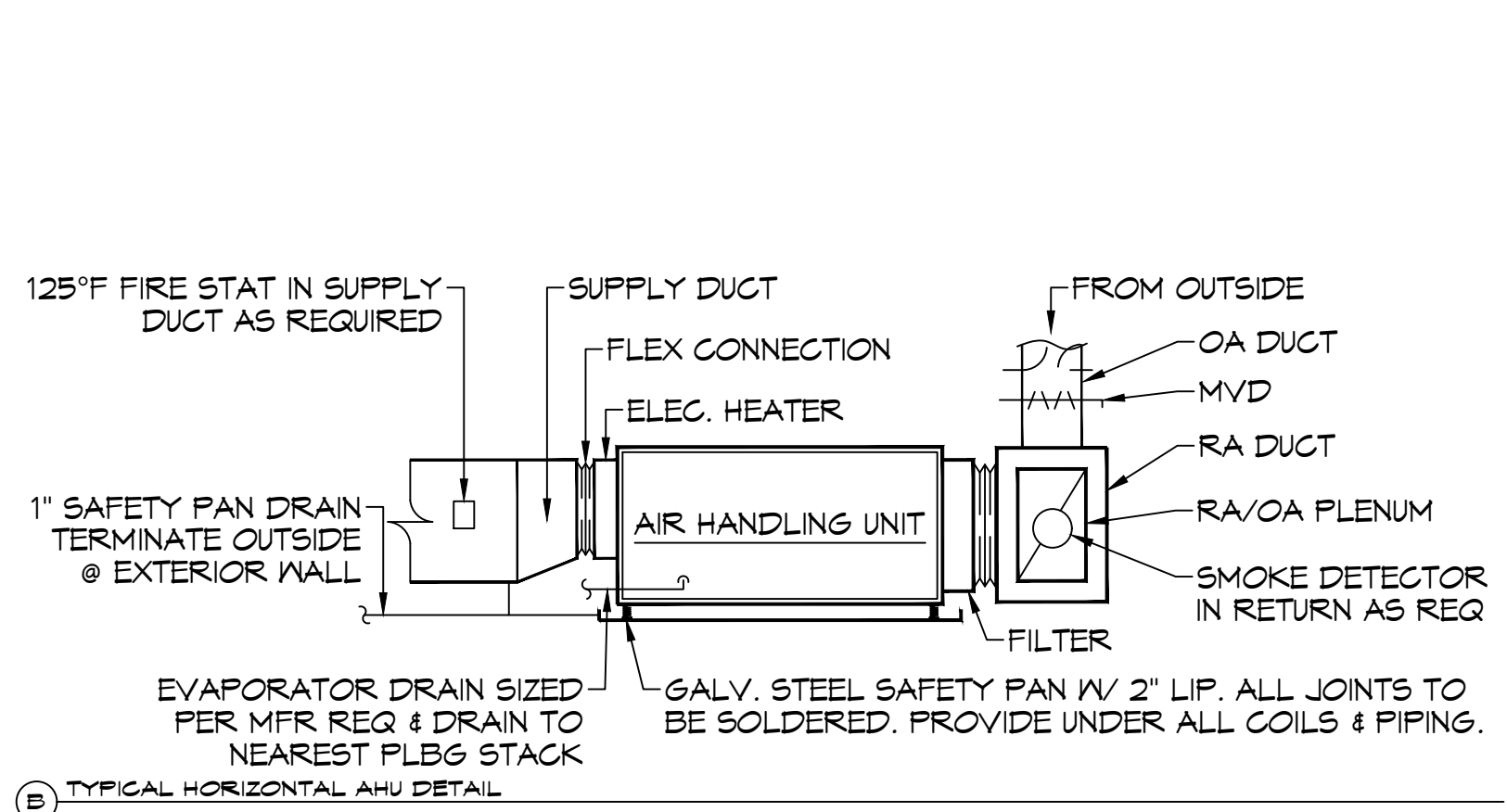


AIRVAC 911 SYSTEM CONTROL DIAGRAM
SCALE: N.T.S.

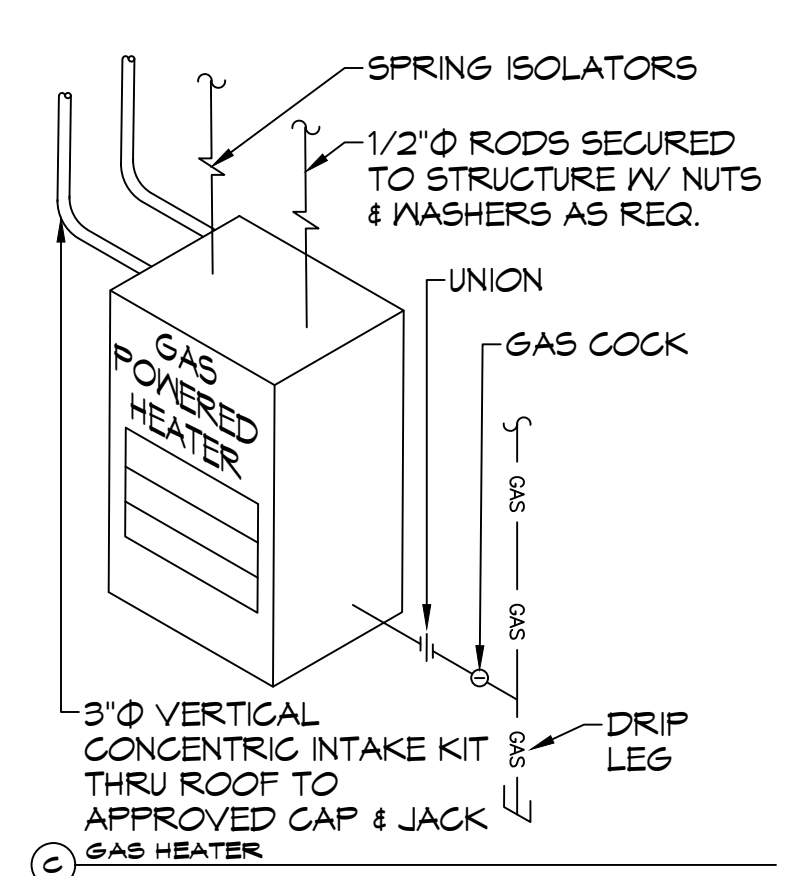
HVLS FAN SCHEDULE						
TAG	LOCATION	SIZE	RPM	HP	FR	DESCRIPTION
FTB	ENGINE BAY	8' DIA.	191	1	1	HVLS 8'Ø FAN WITH VFD AND WALL MOUNTED CONTROL PANEL BIG ASS FANS POWERFOL 8-08



DIFFUSER CONNECTION DETAIL - FLEX DUCT



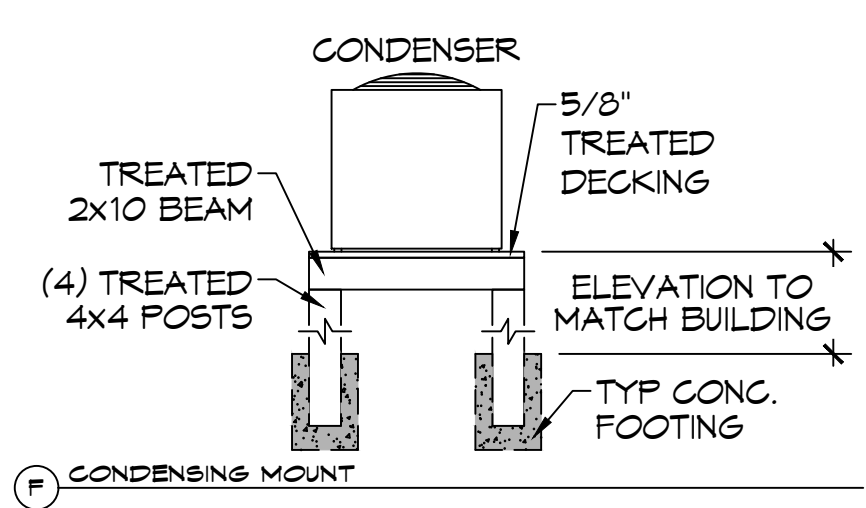
TYPICAL HORIZONTAL AHU DETAIL



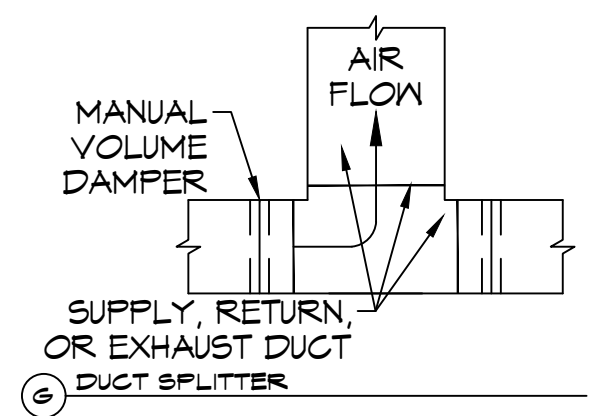
GAS HEATER



SUPPLY DUCT TAKE-OFF



CONDENSING MOUNT



DUCT SPLITTER

TYPICAL DETAILS
SCALE: N.T.S.

DAMMON ENGINEERING, INC.
LOUISIANA & MISSISSIPPI
Chief Engineer: Brian Mistich, PE
554 Old Spanish Trail
Stell, LA 70458
www.dammonengineering.com
info@dammonengineering.com
PH: 985.649.8832

REVISIONS	DATE
# DESCRIPTION	



ST. TAMMANY FIRE PROTECTION DISTRICT NO. 1
FIRE STATION 19
5704T ALLEN ROAD
SUDELL, LOUISIANA 70461
JOB No: 2456
DATE: 05-16-2022
DRAWN BY: KCD
CHECKED BY: JMS
SHEET TITLE: MECHANICAL DETAILS AND SCHEDULES
DRAWING NUMBER: M102
SHEET No: 26 of 30