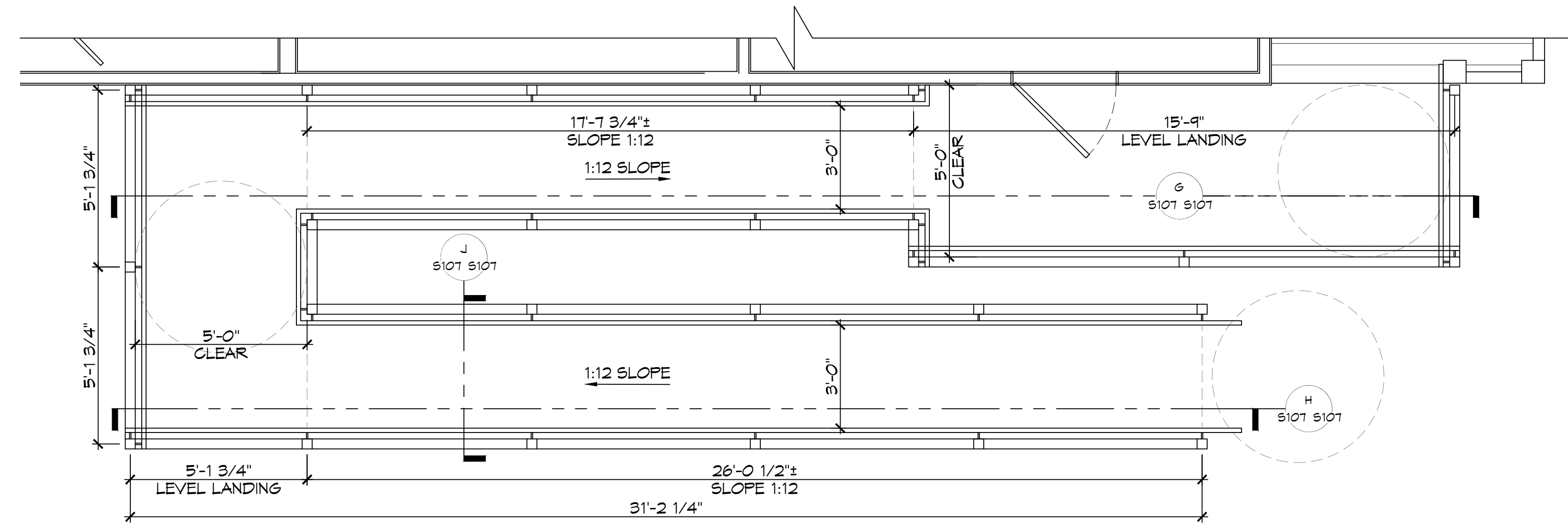
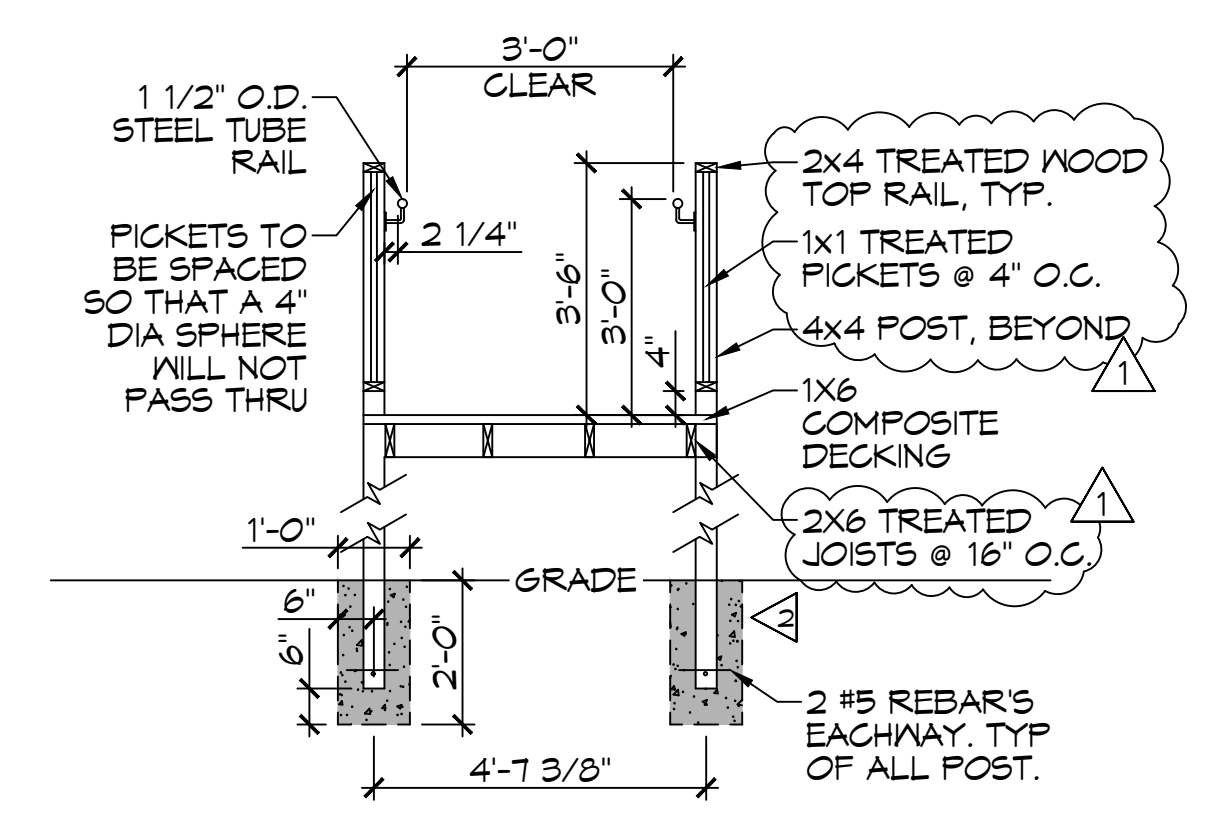


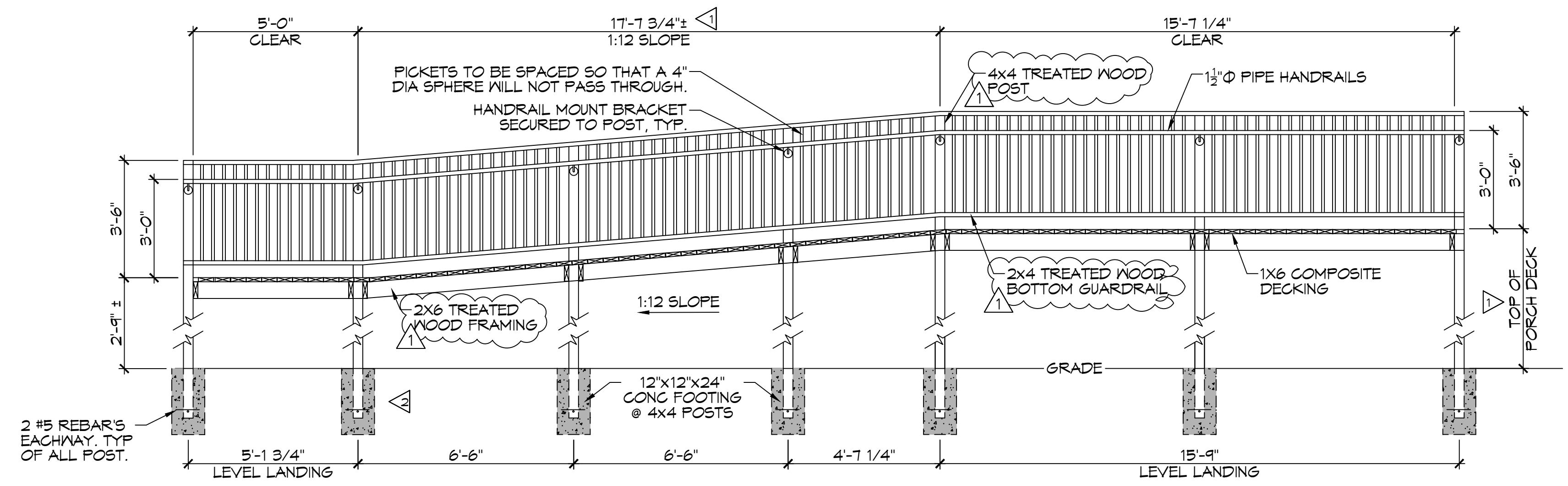
FILE NAME: J:\1 - Dammon\10461 - Allen Road Fire Station 19\DWG\10461-19-Fire Station Decking S107.dwg
 PLOT DATE: 8/17/2022 10:52:43 AM
 PLOT BY: J. M. M.



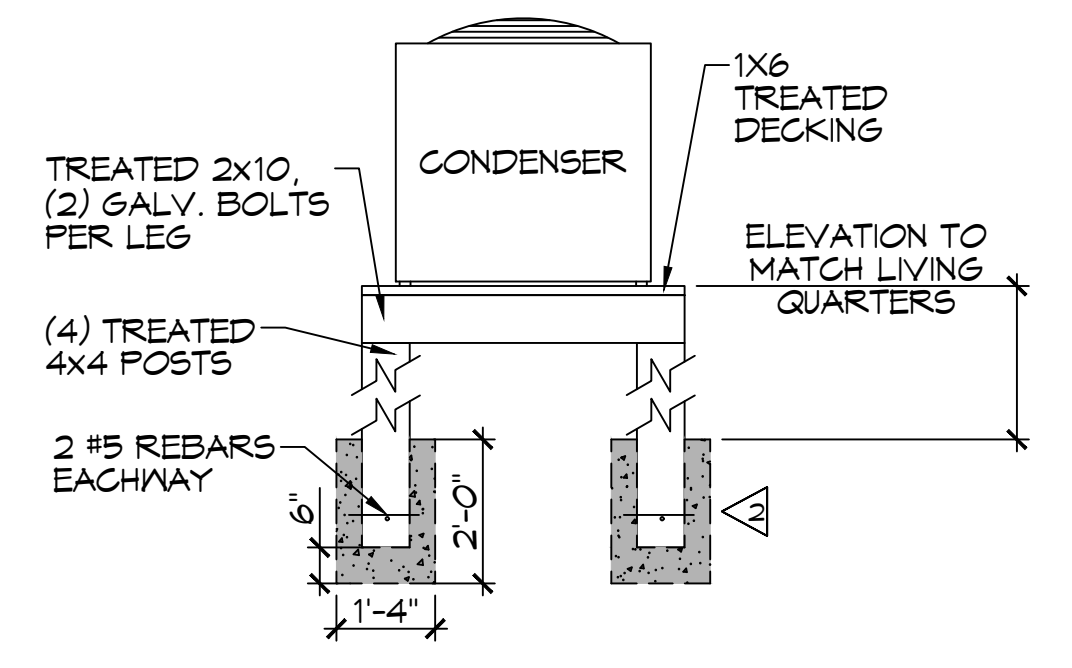
23 DECK PLAN VIEW
SCALE: 3/8" = 1'-0"



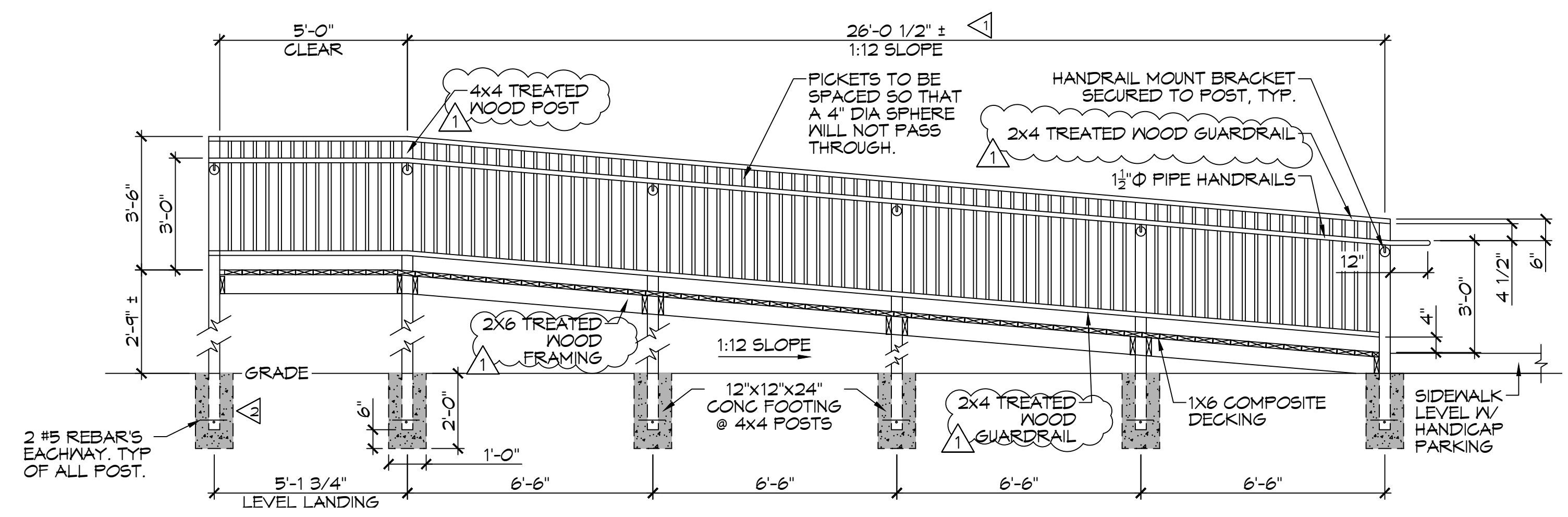
J RAMP SECTION VIEW
SCALE: 3/8" = 1'-0"



G RAMP SECTION VIEW
SCALE: 3/8" = 1'-0"



24 AC CONDENSER
SCALE: 3/8" = 1'-0"



H RAMP SECTION VIEW
SCALE: 3/8" = 1'-0"

- GENERAL NOTES**
- ▲ FIELD VERIFY HEIGHT TO MATCH BUILDING
 - ▲ 4000 PSI CAST IN PLACE CONCRETE FOOTING

DAMMON ENGINEERING, INC.
 LOUISIANA & MISSISSIPPI
 Chief Engineer: Brian Misch, PE
 554 Old Spanish Trail
 Slidell, LA 70458
 www.dammonengineering.com
 info@dammonengineering.com
 PH: 985.649.8832

REVISIONS	DATE
1 Revised Treated Lumber For Framing	8/17/2022



ST. TAMMANY FIRE PROTECTION DISTRICT NO. 1
FIRE STATION 19
 57047 ALLEN ROAD
 SLIDELL, LOUISIANA 70461
 JOB No: 2456 DATE: 05-16-2022
 DRAWN BY: CKD CHECKED BY: BAM

SHEET TITLE:
 ADA RAMP
 DRAWING NUMBER:
S107
 SHEET No: 12 of 30