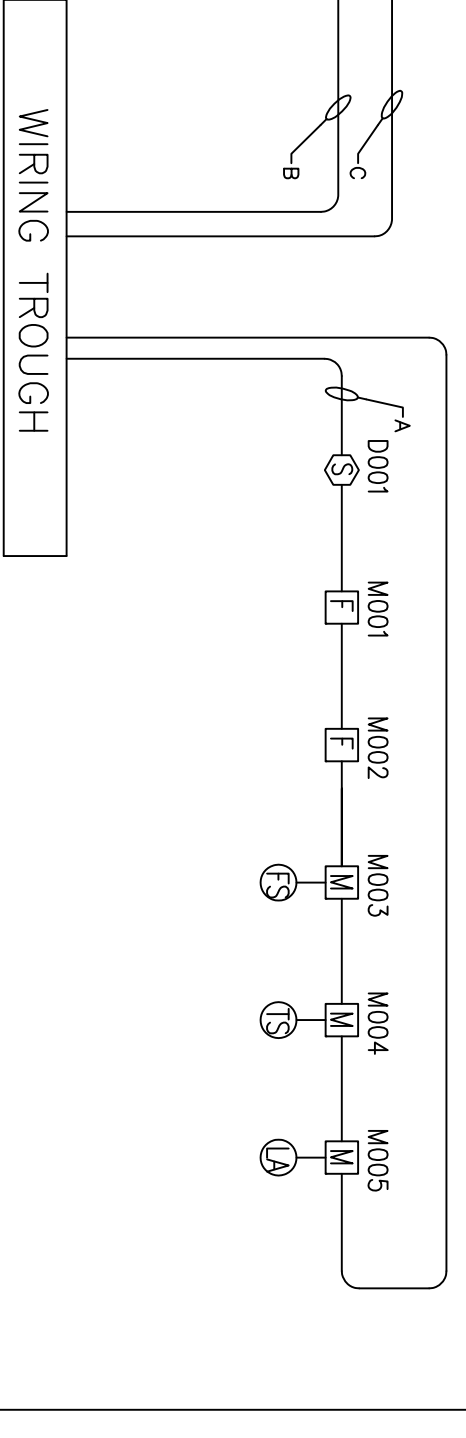


1 BLDG 2440 FIRE ALARM SYSTEM RISER DIAGRAM
SCALE: NOT TO SCALE

2 BLDG 2442 FIRE ALARM SYSTEM RISER DIAGRAM
SCALE: NOT TO SCALE



QTY	SYMBOL	DEVICE	PART NUMBER	BACK BOX	MOUNTING SPECIFICATIONS
1	FECP	FIRE ALARM CONTROL PANEL	NFS2-640	SBB-04	SURFACE
1	FR	FIRE ALARM TRANSCIVER	MONACO BT		SURFACE
1	FAA	FIRE ALARM ANNUNCIATOR PANEL	LCD-80		SURFACE
8	E	ADDRESSABLE MANUAL PULL STATION	NB6-121X	4" SQ 1 GANG RING	MOUNT AT 48" TO CENTER
4	S	INTELLIGENT ADDRESSABLE SMOKE DETECTOR	ZMB	4" SQUARE	CEILING FLUSH MOUNT
2	D	INTELLIGENT ADDRESSABLE DUCT PHOTO DETECTOR	FSP-861/OST	4" SQUARE	SURFACE MOUNT TO DUCT
2	R	ADDRESSABLE RELAY MODULE	FRM-1	4" SQ 2.125" DEEP	
3	M	ADDRESSABLE MONITOR MODULE	FRM-1	4" SQ 2.125" DEEP	
1	D	ADDRESSABLE DUAL MONITOR MODULE	FRM-1	4" SQ 2.125" DEEP	
12	CS	WALL MOUNT CLEAR SPEAKER STROBE-ALERT	SPSW-ALERT	4" SQUARE W/1.5" EXT RING	MOUNT AT 80" A.F.F. TO BOTTOM
8	CS	CEILING MOUNT SPEAKER CLEAR STROBE-ALERT	SPSC-ALERT	4" SQUARE W/1.5" EXT RING	FLUSH MOUNT
1	CS	CLEAR STROBE-ALERT	SW-ALERT	4" SQUARE	MOUNT AT 80" A.F.F. TO BOTTOM
1	CS	CLEAR STROBE-WEATHER PROOF-ALERT	SMK W/ WRBB		MOUNT AT 80" A.F.F. TO BOTTOM
12	S	SPEAKER	SFC	4" SQUARE W/1.5" EXT RING	CEILING MOUNT
7	WP	SPEAKER-WEATHERPROOF	STH-1SS	WB/SHP	MOUNT AT 80" A.F.F. TO BOTTOM
1	TS	SPRINKLER SYSTEM TAMPER SWITCH			
1	TS	SPRINKLER SYSTEM FLOW SWITCH			

SYMBOL	DESCRIPTION	WIRE SIZE
A	SIC - SIGNALING LINE CIRCUIT	16 AWG TWISTED PAIR - RED
B	SPEAKER CIRCUIT	16 AWG TWISTED PAIR - YELLOW
C	STROBE CIRCUIT	2 #14 THIN RED (+) AND BLACK (-)
D	Z40DC	Z#16 FLR
E	ANNUNCIATOR DATA	16 AWG TWISTED PAIR

THESE PLANS AND SPECIFICATIONS HAVE BEEN PREPARED BY OR UNDER OUR DIRECT SUPERVISION. ALL REGULATORY REQUIREMENTS, WE ARE NOT GENERALLY ADMINISTERING THE WORK.

SCHLAFLY ENGINEERING LLC
9-4-09
PER: [Signature]
RES: # 27899

<p>SCHLAFLY ENGINEERING LLC 121 SOUTH GENOIS STREET P.O. BOX 117 P.O. BOX 117 LA REG 27899</p>		DEPARTMENT OF THE NAVY NAVAL FACILITIES ENGINEERING COMMAND NAVAL AIR STATION JACKSONVILLE MISSISSIPPI	NAVAL FACILITIES ENGINEERING COMMAND SOUTH EAST NAVAL AIR STATION JACKSONVILLE MISSISSIPPI
		JOHN C. STENNIS SPACE CENTER SOF RIVERINE AND COMBATANT CRAFT OPERATIONS FACILITY	BLDG 2440 1ST FLOOR PLAN - FIRE ALARM
SCALE: NONE SHEET: 129 OF 132	DATE:	APPR:	DESCRIPTION: