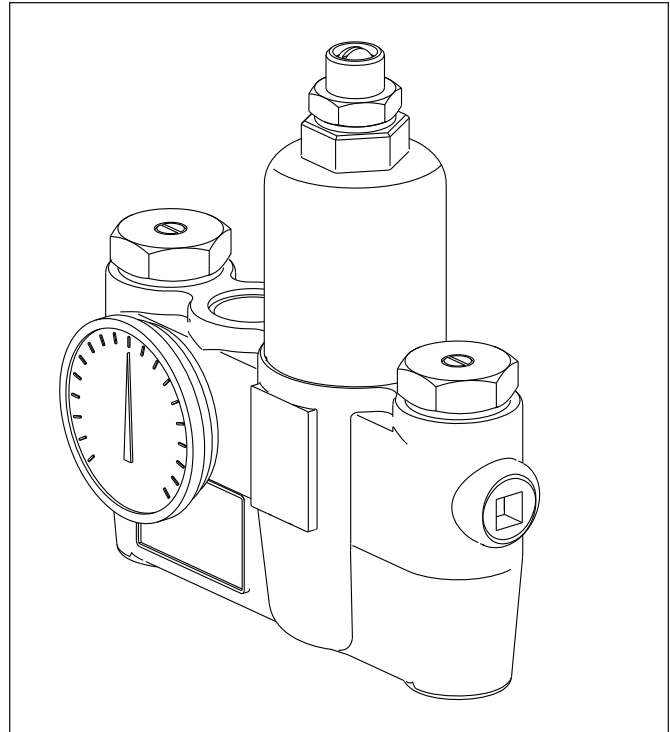


- Meets ANSI Z358.1-2009
- Reliable Liquid-Filled Thermostat with 10-Year Warranty
- Integral Strainer Checkstops on Inlets
- Adjustable Set Point within Temperature Range
- Accurate Temperature Control to within $\pm 3^\circ$ F
- Built-in Cold Water Bypass, Assuring Cold Flow
- Positive Shutoff of Hot Supply When Cold Supply is Lost
- Easy Installation and Serviceability
- Dirt and Lime Resistant
- Dial Thermometer
- Factory Assembled and Tested
- Universal Mounting Capability
- Cabinet Features:
 - 18 Gauge Body & Door
 - Left-Hand Hinge
 - Cylinder Lock
 - Inlet/Outlet Knock-Out Holes for Mounting Flexibility
 - Stainless Steel or Baked White Enamel Finishes
 - Surface-Mounted or Recessed Style



Valve Specifications

Maximum Operating Pressure

125 PSI (860 kPa)

Maximum Inlet Temperature

180° F (82° C)

Recommended Inlet Temperature

120° F (49° C) – 140° F (60° C)

Temperature Range

Std. 65° F (18° C) to 95° F (35° C)

Set Point

85° F (29° C)

Flow Capacities – GPM (L/Min)

| Model | Min. Flow | Pressure Drop – PSI (Bar) | | | | | | |
|-----------------|-------------------------|---------------------------|--------------|--------------|--------------|--------------|--------------|--------------|
| | | 5 (.5) | 10 (1.0) | 15 (1.5) | 20 (2.0) | 30 (2.5) | 45 (3.0) | 60 (4.0) |
| S19-2100 | 2.0 (7.5) | 10.5 (48.5) | 15.0 (68.5) | 18.5 (84.0) | 21.3 (97.0) | 26.0 (108.5) | 32.0 (119.0) | 37.0 (137.0) |
| | Cold Bypass Only | 8.0 (37.0) | 11.5 (52.0) | 14.0 (64.5) | 16.5 (74.0) | 20.0 (83.0) | 24.5 (91.0) | 28.0 (105.0) |
| S19-2200 | 2.0 (7.5) | 22.0 (99.5) | 31.0 (141) | 38.0 (172.5) | 43.5 (199.0) | 53.5 (222.5) | 65.5 (244.0) | 75.5 (281.5) |
| | Cold Bypass Only | 16.5 (76.3) | 23.5 (108.0) | 29.0 (132.0) | 33.5 (152.5) | 41.0 (170.5) | 50.0 (187.0) | 58.0 (216.0) |

Models (Must select one)

| Model | Description |
|--|---------------------------------|
| <input type="checkbox"/> S19-2100 | EFX25-Thermostatic Mixing Valve |
| <input type="checkbox"/> S19-2200 | EFX60-Thermostatic Mixing Valve |

Optional Selections

Finish

C Chrome Plated

Piped Assembly

- P** Piped Assembly with Inlet and Outlet Shutoff
- N** Piped Assembly only

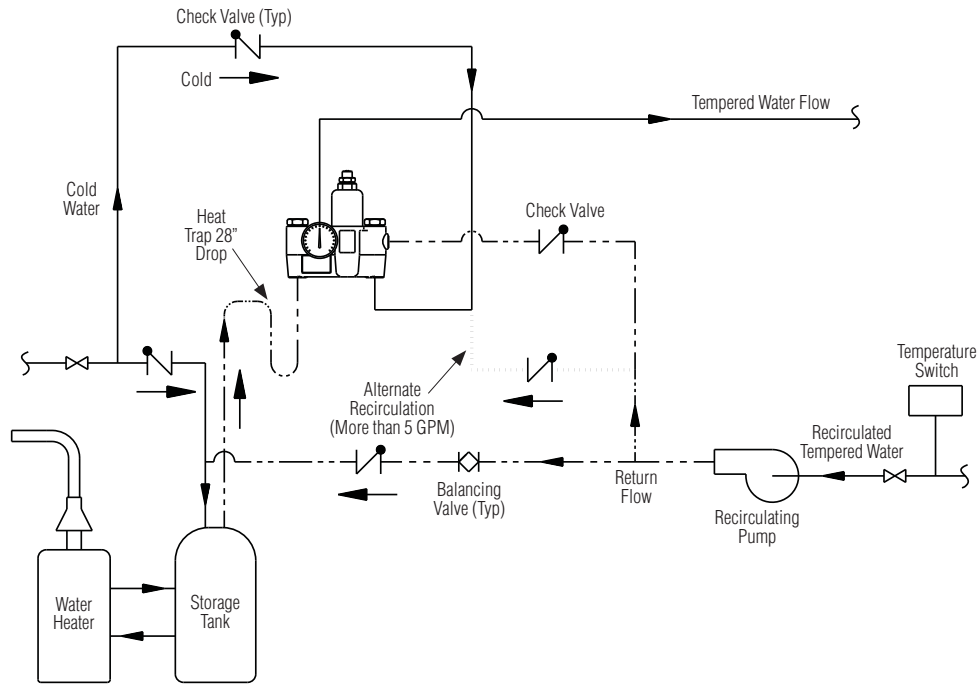
Cabinets

- SS** Surface Mount Stainless Steel
- RS** Recessed Stainless Steel
- SE** Surface Mount White Enamel
- RE** Recessed White Enamel
- W** Plexi-glass Window in Door

Engineer's Approval _____

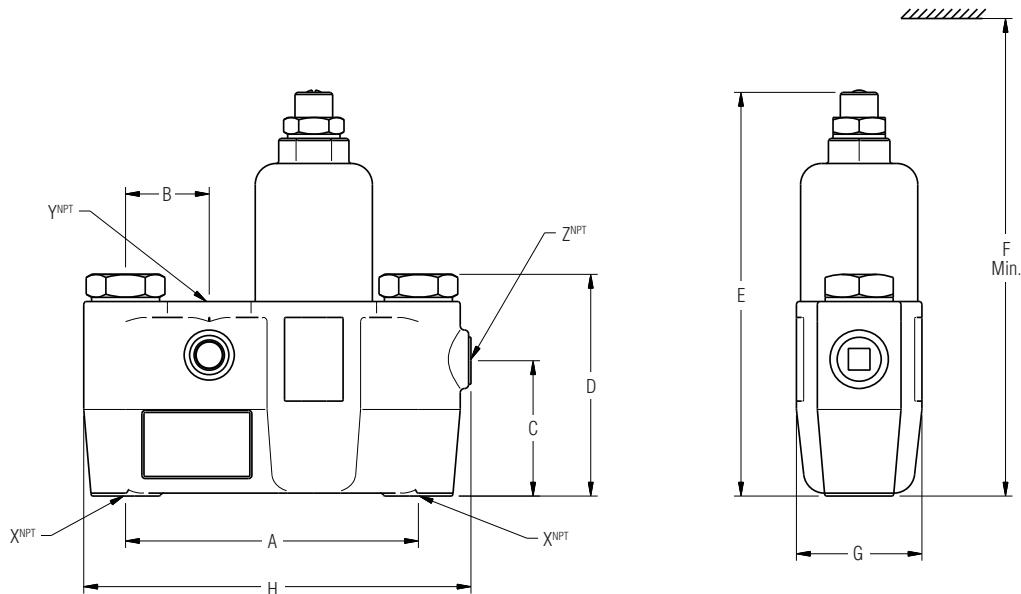
Recirculation Diagram

(mm)



Dimensions

| Model | A | B | C | D | E | F | G | H | X ^{NPT} | Y ^{NPT} | Z ^{NPT} |
|----------|--------------|-------------|-------------|--------------|---------------|-----------|-------------|---------------|------------------|------------------|------------------|
| S19-2100 | 7" (178) | 2" (51) | 3-1/4" (84) | 4-3/4" (119) | 8" (203) | 14" (356) | 3-1/8" (79) | 9-1/4" (234) | 3/4" | 1" | 3/4" |
| S19-2200 | 8-3/4" (224) | 2-1/2" (64) | 3-1/2" (89) | 5-1/4" (135) | 12-1/4" (312) | 19" (483) | 3-5/8" (91) | 11-3/8" (290) | 1" | 1-1/4" | 3/4" |

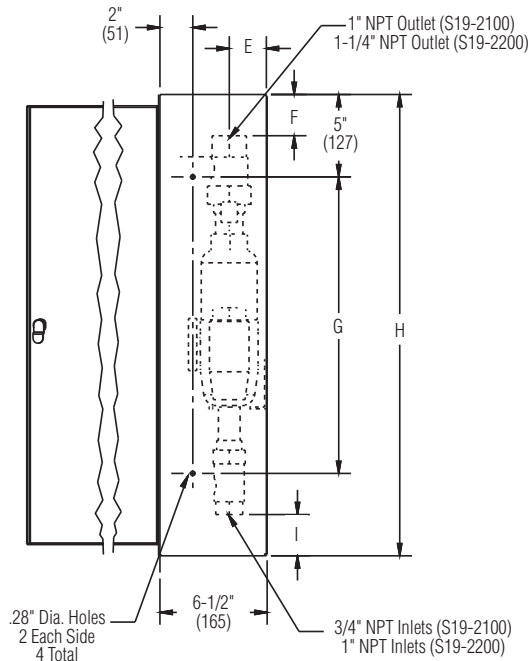


Dimensions — Surface-Mounted Cabinet

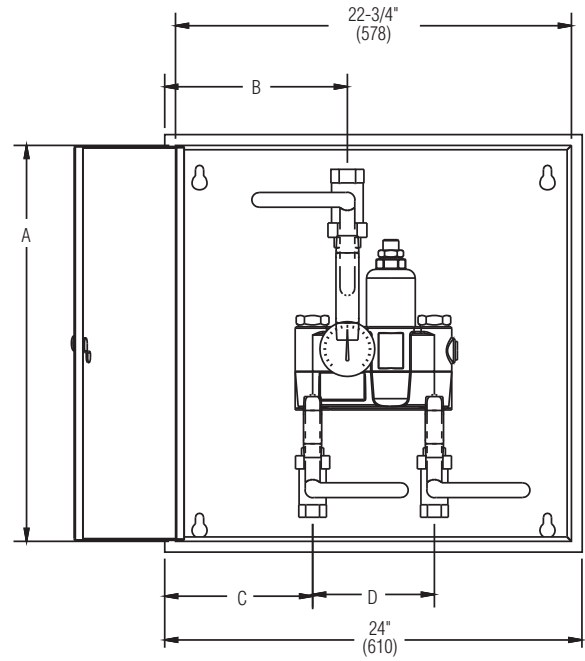
(mm)

| Model | A | B | C | D | E | F | G | H | I | J | K | L | M |
|-----------------|------------------|-------------------|-----------------|-----------------|----------------|----------------|--------------|--------------|----------------|-----------------|-----------------|--------------|------------------|
| S19-2100 | 22-3/4" (578) | 10-1/2" (267) | 8-1/2" (216) | 7" (178) | 2" (51) | 2" (51) | 14" (356) | 24" (610) | 2" (51) | 6-1/4" (159) | 7-1/2" (191) | 20" (508) | 8-7/16" (214) |
| S19-2200 | 26-3/4" (679) | 10-3/16" (259) | 7-5/8" (194) | 8-3/4" (222) | 2-1/4" (57) | 2-1/2" (64) | 18" (457) | 28" (711) | 2-1/2" (64) | 5-1/8" (130) | 9-3/4" (248) | 24" (610) | 9-3/16" (233) |

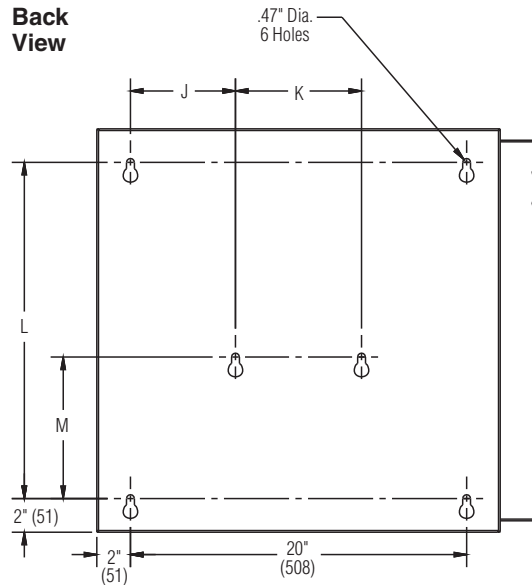
Side View



Front View



Back View



Dimensions — Recessed Cabinet

(mm)

| Model | A | B | C | D | E | F | G | H | I | J |
|----------|-----------|---------------|----------------|--------------|--------------|-------------|-------------|-----------|-----------|-------------|
| S19-2100 | 26" (660) | 22-3/4" (578) | 10-1/2" (267) | 8-1/2" (216) | 7" (178) | 2" (51) | 2" (51) | 14" (356) | 24" (610) | 2" (51) |
| S19-2200 | 30" (762) | 26-3/4" (679) | 10-3/16" (259) | 7-5/8" (194) | 8-3/4" (222) | 2-1/4" (57) | 2-1/2" (64) | 18" (457) | 28" (711) | 2-1/2" (64) |

