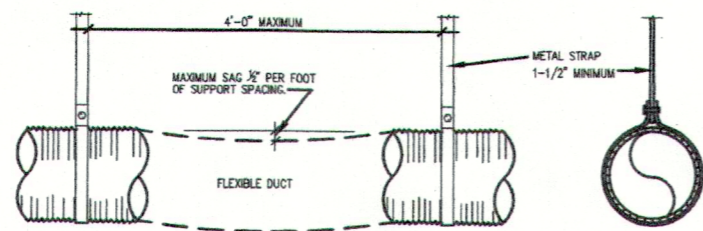
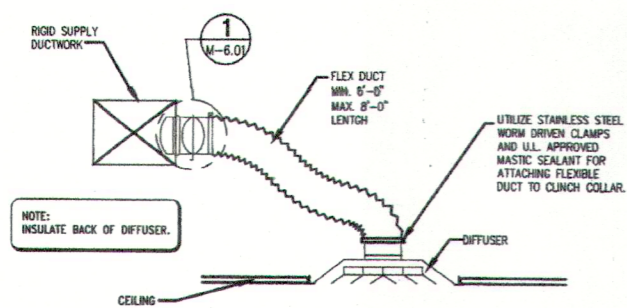


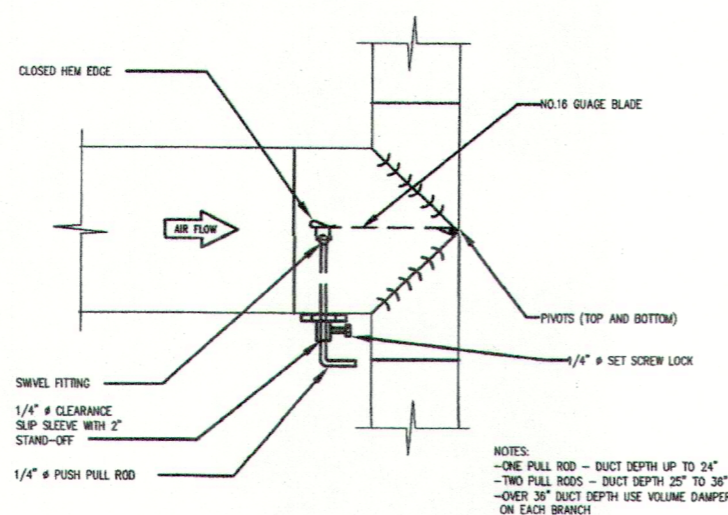
1 SPIN-IN BRANCH CONNECTION TO SINGLE AIR OUTLET
NTS



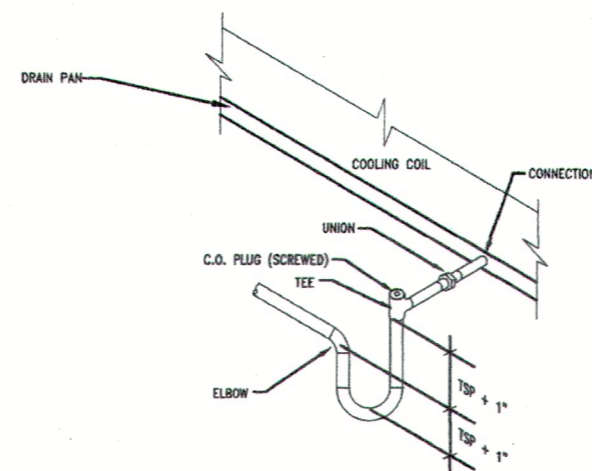
2 FLEX DUCT SUPPORT
NTS



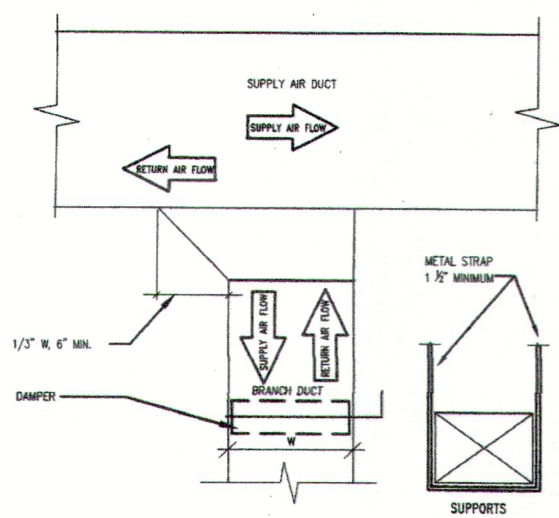
3 DIFFUSER AND FLEX DUCT DETAIL
NTS



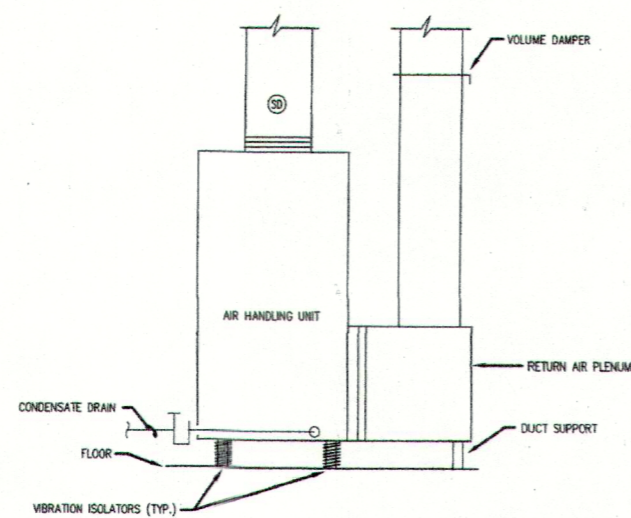
4 SUPPLY DUCT WITH SPLITTER DAMPER
NTS



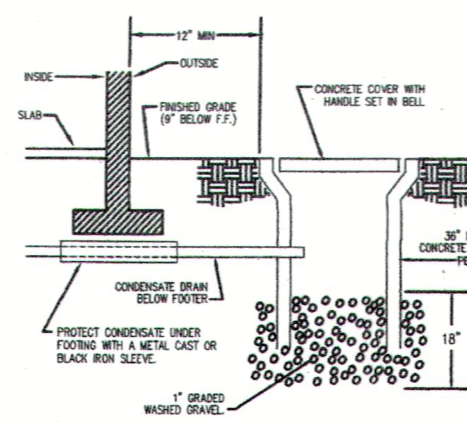
5 CONDENSATE DRAIN DETAIL
NTS



6 DUCT WITH SPLITTER DAMPER AT SINGLE BRANCH
NTS



7 TYPICAL VERTICAL AHU MOUNTING DETAIL
NTS



8 DRYWELL DETAIL
NTS

MARK	AREA SERVED	SPLIT SYSTEM AIR CONDITIONING UNIT SCHEDULE														EQUAL TO		NOTES											
		INDOOR UNIT							OUTDOOR UNIT																				
		CFM	O/A	E.S.P. (IN.)	HP	FLA	RW	# OF STEPS	V/φ	MCA	MOCP	WEIGHT (LBS.)	TC (MBH)	SC (MBH)	CONDENSER FAN(S) QTY.	V/φ	FLA (EA.)		COMPRESSOR(S) QTY.	V/φ	FLA (EA.)	LRA (EA.)	MCA	MOCP	WEIGHT (LBS.)	EER (SEER)	MFG.	MODEL	
AHU-1/CU-1	BUSINESS OFFICE	8540	450	0.8	3.0	208/3	9.4	37.42	2	208/3	142	150	750	185.4	135.0	2	208/1	3.1	2	208/3	26.0	172	64.7	90	775	9.7	TRANE	TNE80 / TTA180	(1)(2)(3)(4)
AHU-2/CU-2	DOCTOR'S/EXAMS	2570	250	0.8	1.5	208/3	5.0	18.71	2	208/3	72	80	400	90.5	62.9	1	208/1	3.1	1	208/3	27.1	172	37.0	60	370	10.3	TRANE	TNE90 / TTA90	(1)(2)(3)(4)

NOTES: (1) PROVIDE SMOKE DETECTORS/FIRE STAYS IN SUPPLY AND RETURN DUCTWORK TO SHUT THE UNIT DOWN UNDER ALARM CONDITION AS REQUIRED BY LOCAL/STATE CODES.
(2) PROVIDE WITH ALL CONTROL COMPONENTS REQUIRED TO ACHIEVE BY-PASS WAY OPERATION.
(3) PROVIDE WITH SINGLE POINT CONNECTION FOR ELECTRIC HEATER AND FAN FOR INDOOR UNIT.
(4) CONDENSING UNITS SHALL BE SUITABLE FOR SEACOAST APPLICATION.

MARK / LEGEND	TYPE	MFG.	MODEL	NOTES
10" x 10" / 300CFM	CEILING MOUNTED SQUARE SUPPLY DIFFUSER	TITUS	TDC-AA	(1)(2)(3)(4)(5)(7)
4" x 20" / 200CFM	CEILING MOUNTED LINEAR SLOT SUPPLY DIFFUSER	TITUS	ML-38	(5)(6)(7)(8)
20" x 30" / 200CFM	CEILING OR SIDEWALL RETURN AIR GRILLE	TITUS	350	(1)(2)(3)(4)(5)(6)

NOTES: (1) PROVIDE WITH OPPOSED BLADE VOLUME DAMPER.
(2) PROVIDE 24X24 FULLY LOUVERED FACE LATH MODULE WHERE LOCATED IN LATH CEILING.
(3) NECK SIZE IS 22X22 UNLESS NOTED OTHERWISE ON FLOOR PLANS.
(4) PROVIDE SQUARE TO ROUND NECK TRANSITION WHERE APPLICABLE.
(5) COORDINATE BORDER TYPES WITH ARCHITECTURAL FLOOR PLAN AND REFLECTED CEILING PLAN.
(6) COORDINATE FINISH WITH ARCHITECT.
(7) COORDINATE THROW PATTERN WITH FLOOR PLANS.
(8) PROVIDE COMPLETE WITH WALL SLEEVE AND BRASS SCREEN.
(9) PRIME AND PAINT TO MATCH ADJACENT SURFACES.
(10) PROVIDE COMPLETE WITH INSULATED SUPPLY AIR BOOT FOR SUPPLY DUCT CONNECTION.

MARK	SERVICE	TYPE	FAN	MOTOR	EQUAL TO	NOTES					
							CFM	E.S.P. (IN.)	DRIVE	RPM	HP [WATTS]
EF-1	FEMALE RR	CEILING	70	0.25	DIRECT	1040	[32]	120/1	LOREN COOK	GC-220	(1)(2)(3)(4)(5)
EF-2	MALE RR	CEILING	50	0.25	DIRECT	923	[32]	120/1	LOREN COOK	GC-140	(1)(2)(3)(4)(5)
EF-3	DARK ROOM	CEILING	100	0.25	DIRECT	1071	[47]	120/1	LOREN COOK	GC-320	(1)(2)(3)(4)(5)
EF-4	STAFF RR	CEILING	50	0.25	DIRECT	923	[32]	120/1	LOREN COOK	GC-140	(1)(2)(3)(4)(5)
EF-5	DOCTOR'S RR	CEILING	100	0.25	DIRECT	1071	[47]	120/1	LOREN COOK	GC-320	(1)(2)(3)(4)(5)
EF-6	UNEX RR	CEILING	50	0.25	DIRECT	923	[32]	120/1	LOREN COOK	GC-140	(1)(2)(3)(4)(5)
EF-7	STAFF RR	CEILING	50	0.25	DIRECT	923	[32]	120/1	LOREN COOK	GC-140	(1)(2)(3)(4)(5)

NOTES: (1) PROVIDE DISCONNECT SWITCH MOUNTED AT THE UNIT.
(2) PROVIDE WITH BACKDRAFT DAMPER.
(3) PROVIDE WITH SOLID STATE VARIABLE SPEED CONTROLLER MOUNTED AT THE UNIT.
(4) FAN SHALL BE CONTROLLED VIA LIGHT SWITCH WITH 10 MINUTE TIME DELAY. PROVIDE TIME DELAY SWITCH.
(5) FAN SOUND RATING SHALL NOT EXCEED 3.0 SONES.

MARK	SERVES	SIZE	CFM	SERVICE	P.D. IN. WC	MAX. VELOCITY	MIN. SETTING	EQUAL TO	
								MFG.	MODEL NO.
ZD1-1	EXAM RMS	10"φ	470	AHU-1	0.05	1200	25%	TRANE	VARITRAC II
ZD1-2	CAST PROC.	12"φ	530	AHU-1	0.05	1200	25%	TRANE	VARITRAC II
ZD1-3	NURSES OFF	14"φ	330	AHU-1	0.05	1200	25%	TRANE	VARITRAC II
ZD1-4	X-RAY	12"φ	500	AHU-1	0.05	1200	25%	TRANE	VARITRAC II
ZD1-5	LOBBY	8"φ	1250	AHU-1	0.05	1200	25%	TRANE	VARITRAC II
ZD1-6	OFF. MAN.	8"φ	1390	AHU-1	0.05	1200	25%	TRANE	VARITRAC II
ZD1-7	BUS. OFF.	14"φ	550	AHU-1	0.05	1200	25%	TRANE	VARITRAC II
ZD1-8	DOCTOR'S OFF.	14"φ	880	AHU-1	0.05	1200	25%	TRANE	VARITRAC II
ZD1-9	ZD1-9	14"φ	640	AHU-1	0.05	1200	25%	TRANE	VARITRAC II
BP-1	LAUN./EXAMS	20x20	3600	AHU-1	0.05	2000	0	TRANE	VARITRAC II
ZD2-1	LOBBY/ADMIN	8"φ	1015	AHU-2	0.05	1200	25%	TRANE	VARITRAC II
ZD2-2	EXAM RMS	14"φ	625	AHU-2	0.05	1200	25%	TRANE	VARITRAC II
ZD2-3	DOCTOR'S OFF.	14"φ	680	AHU-2	0.05	1200	25%	TRANE	VARITRAC II
ZD2-4	PROCEDURE	14"φ	250	AHU-2	0.05	1200	25%	TRANE	VARITRAC II
BP-2	BYPASS	12"φ	1450	AHU-2	0.05	2000	0	TRANE	VARITRAC II

NOTES: (1) PROVIDE COMPLETE WITH LOW VOLTAGE TRANSFORMERS AND ALL ACCESSORIES REQUIRED FOR A COMPLETE AND OPERABLE CHANGE OVER BY-PASS WAY SYSTEM.
(2) MECHANICAL CONTRACTOR SHALL COORDINATE ALL CONTROL SYSTEM ELECTRICAL REQUIREMENTS WITH GENERAL AND ELECTRICAL CONTRACTOR PRIOR TO THE BIDDING.
(3) PROVIDE WITH CENTRAL TRACKER PANEL AND TIE BOTH SYSTEMS TOGETHER.

PROGRESS SET

"NOT FOR CONSTRUCTION" PROGRESS

CONSULTING ENGINEERS
ORLANDO - FT. PIERCE - W. PALM BEACH
477 CONVENT ROAD, SUITE 200, FT. PIERCE, FLORIDA 34946
(888) 332-5119 FAX (407) 332-7704
3024 WASHINGTON AVENUE, SUITE 200, FT. PIERCE, FLORIDA 34946
(407) 485-1165 FAX (407) 485-1164
2009 PINEY HILLS BLVD., SUITE 200, WEST PALM BEACH, FLORIDA 33411
(407) 842-8800 FAX (407) 842-2745



REV	DESCRIPTION	DATE

PROJECT: 21409
SHEET: 6
DATE: 10-11-01
DESIGN BY:
CHECK BY:
REVIEWED BY:

STATE REG. NO. AA - C001655

GARCIA BRENNER STROMBERG
ARCHITECTS
1001 NE 13th Avenue, Suite 118
P.O. Box 10000, Ft. Lauderdale, FL 33324
Phone: (954) 561-1111 Fax: (954) 561-1111
WWW.GBSA.COM

HYAC. SCHEDULES AND DETAILS
TULANE / HONTAS
MEDICAL CENTER

M-6.01

DATE: