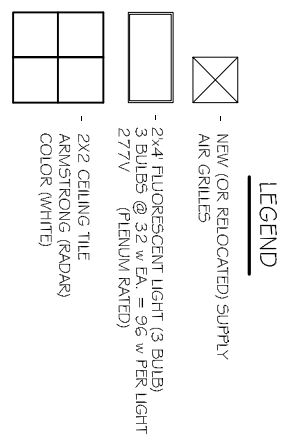
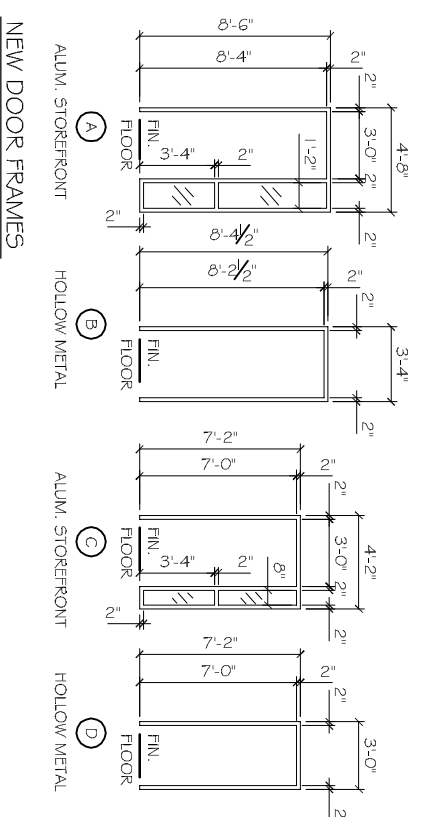
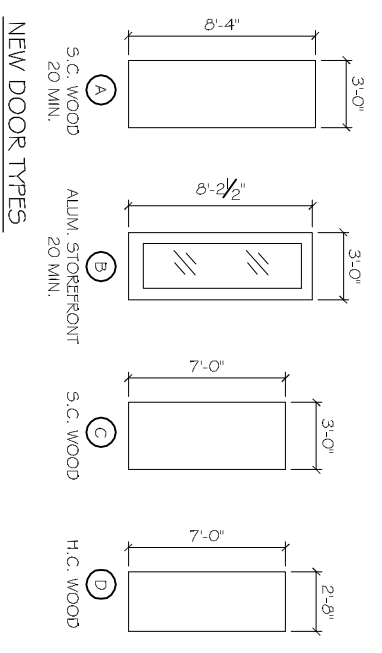


REFLECTED CEILING PLAN
SCALE: 1/4" = 1'-0"



NO.	SIZE	TYPE				FRAME				HINGE				LOOK				ACCESS				REMARKS
		S. C. WOOD	S.F. W/FULL GLASS	SMOKE RATED	MARK	ALUMINUM	HOLLOW METAL	MARK	BUTT	NONE	KEYED HANDLE	PASSAGE	PRIVACY	NONE	TRANSITION INTERLOCK	DOOR STOP	CLOSER	NONE				
1	30x34	●	●	●	●	●	●	●	●	●	●	●	●	●	●	●	●	●	●	●	NOTE: STAY NEW ROOMS TO MATCH EXISTING LOC'S SHA. SE 35ST LOC'S	
2	30x32.5	●	●	●	●	●	●	●	●	●	●	●	●	●	●	●	●	●	●	●		
3	30x70	●	●	●	●	●	●	●	●	●	●	●	●	●	●	●	●	●	●	●		
4	20x70	●	●	●	●	●	●	●	●	●	●	●	●	●	●	●	●	●	●	●		

A. EXISTING ROOMS BEING RELOCATED SHAL. HAVE THE FRAMES REASSEMBLED AND REPAIR FOR FINISH PAINT.
 B. EXISTING ROOMS TO BE TOLERED UP WHERE SEARCHED/LOCATED. A. = MARK. VALID FOR REPAIR TO EXISTING FINISH.



REFLECTED CEILING PLAN AND DOOR SCHEDULE SHEET No: 7 of 12 A2	REVISIONS # DESCRIPTION DATE	SLIDELL MEMORIAL HOSPITAL CARDIO/REHAB RENOVATION 1001 CAUSE BOULEVARD SLIDELL, LA 70458		Architects & Engineers Chief Engineer: BRIAN MISTICH, PE Chief Architect: KEVIN KINCHEN, NCARB 554 OLD SPANISH TRAIL SLIDELL, LA 70458 Phone: 985-649-5832 Fax: 985-641-5950
		JOB No: 2185 DATE: 11-12-2013 DRAWN BY: JTL CHECKED BY: CKD	dammonengr.com dammoneng@bellsouth.net PHONE: 985-649-5832 FAX: 985-641-5950	