

DAMMON
ENGINEERING, INC.

CHIEF ENGINEER
EMMETT
DAMMON, P.E.
CHIEF ARCHITECT
ROBERT
WILTSE

554 OLD SPANISH TRAIL
SLIDELL, LA. 70458
OFFICE: 985-649-5832
FAX: 985-641-5950

WEBSITE:
WWW.DAMMONENGINEERING.COM
EMAIL:
DAMMONENG@BELLSOUTH.NET

ARCHITECTURE
ENGINEERING
STUDIES
PLANNING
INVESTIGATION
EXPERT WITNESS

LA QUINTA
INN & SUITES

SPORTSMAN PARK
LOT 14
CABLEAS PARKWAY
GONZALES
LOUISIANA

BUILDING
SECTION
DETAIL

REV:

SCALE: AS NOTED

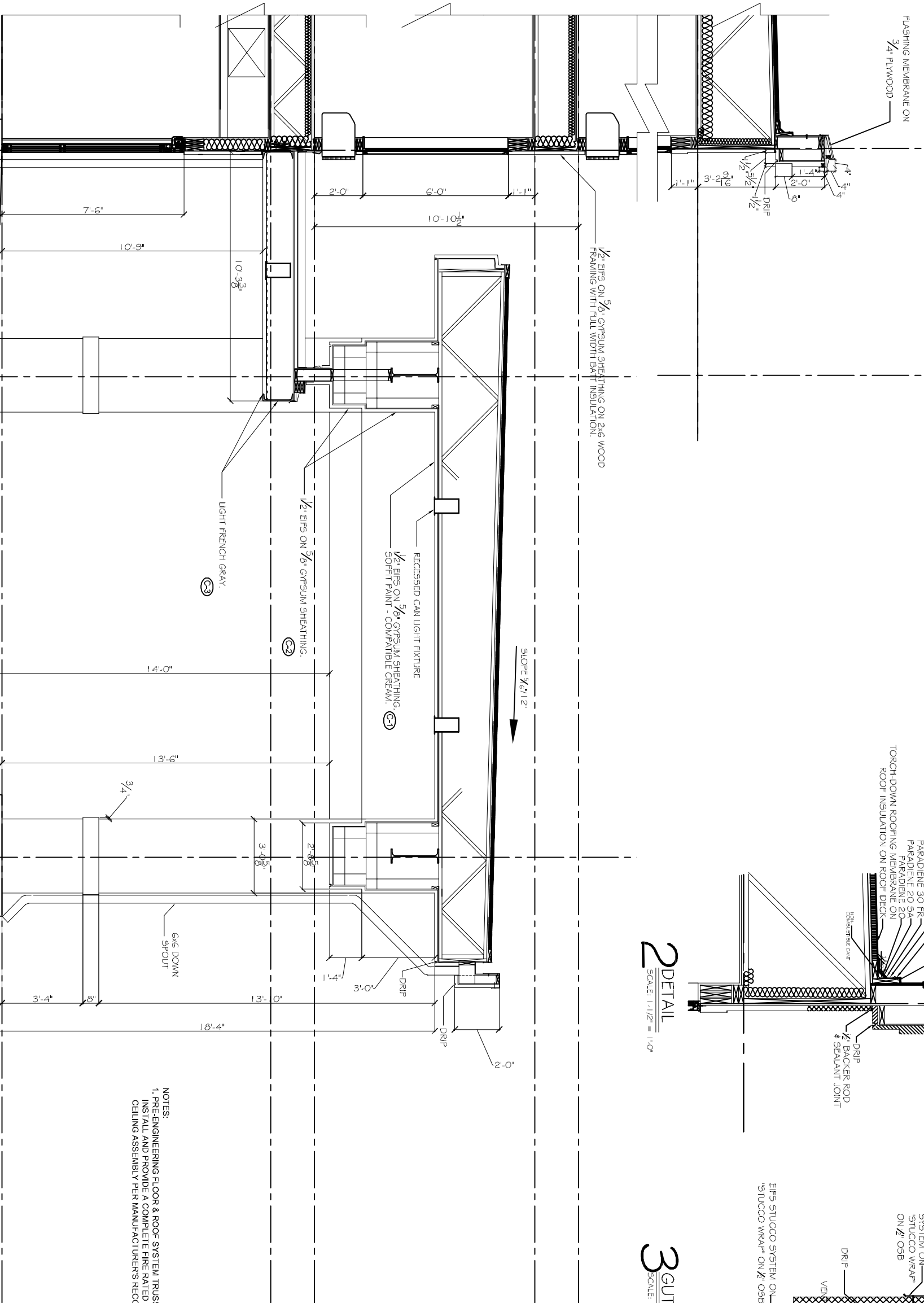
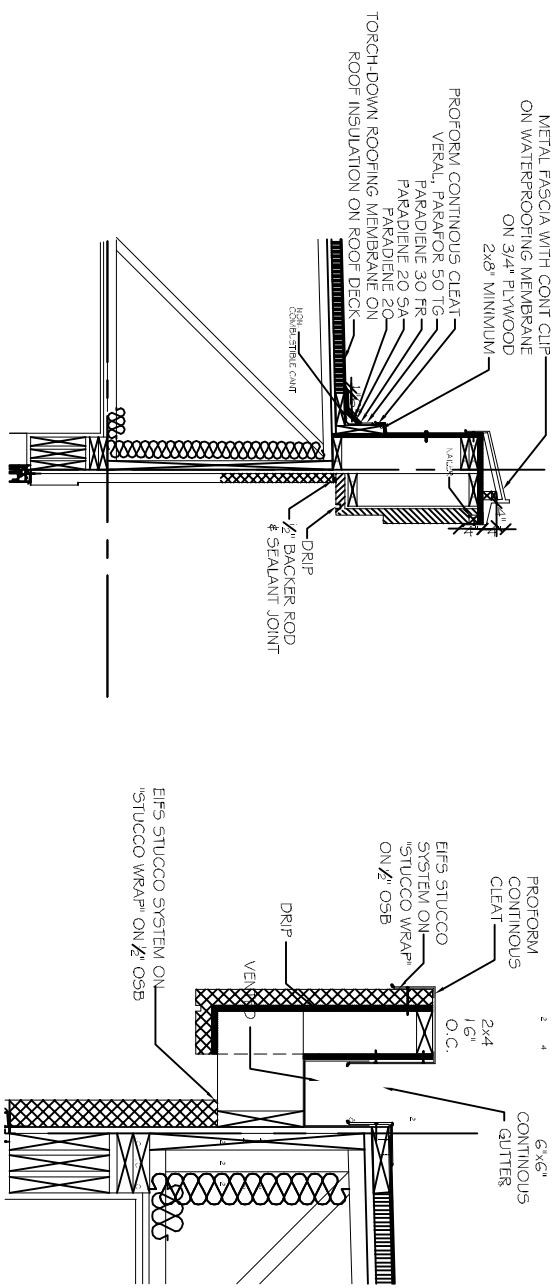
JOB#: 2141

DATE: 07-03-12

SHEET 11

A-6

OF 36



NOTES:
1. PRE-ENGINEERING FLOOR & ROOF SYSTEM TRUSSES BY OTHERS.
INSTALL AND PROVIDE A COMPLETE FIRE RATED FLOOR AND
CEILING ASSEMBLY PER MANUFACTURER'S RECOMMENDATIONS.