

DAMMON ENGINEERING, INC.
 CHIEF ENGINEER
 EMMETT DAMMON, P.E.
 CHIEF ARCHITECT
 ROBERT WILTISE

554 OLD SPANISH TRAIL
 SUITE L, LA. 70456
 OFFICE: 985-649-5532
 FAX: 985-641-5950

WWW.DAMMONENGINEERING.COM
 EMAIL: DAMMONENG@BELL.SOUTH.NET

ARCHITECTURE
 ENGINEERING
 STUDIES
 PLANNING
 INVESTIGATION
 EXPERT WITNESS

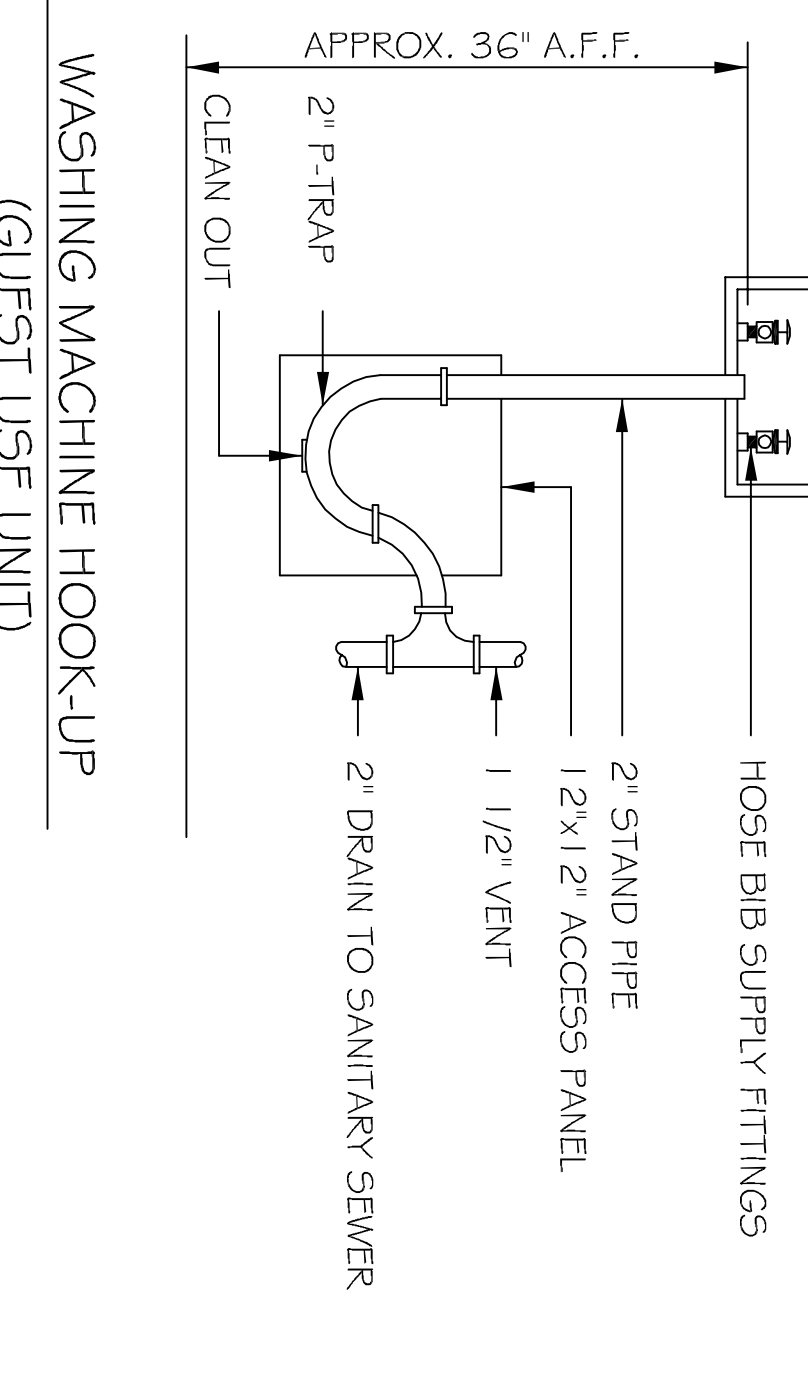
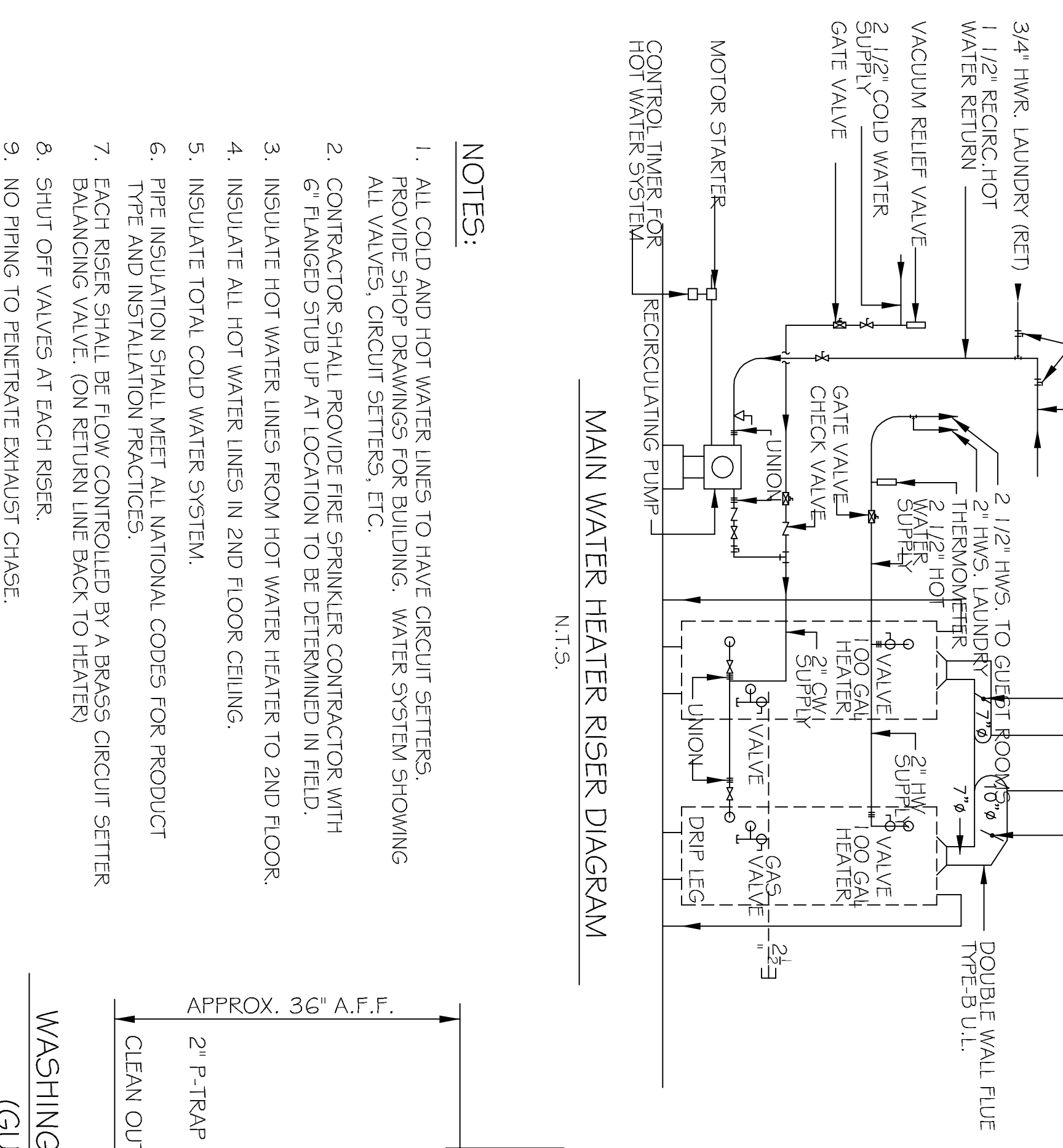
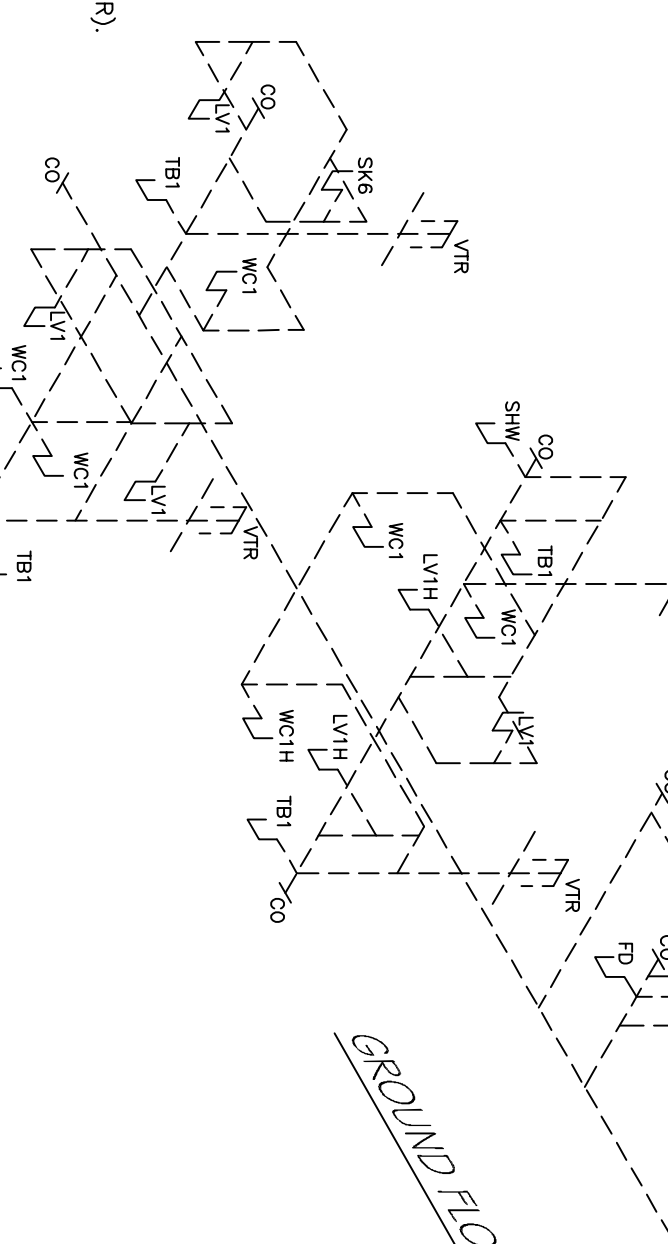
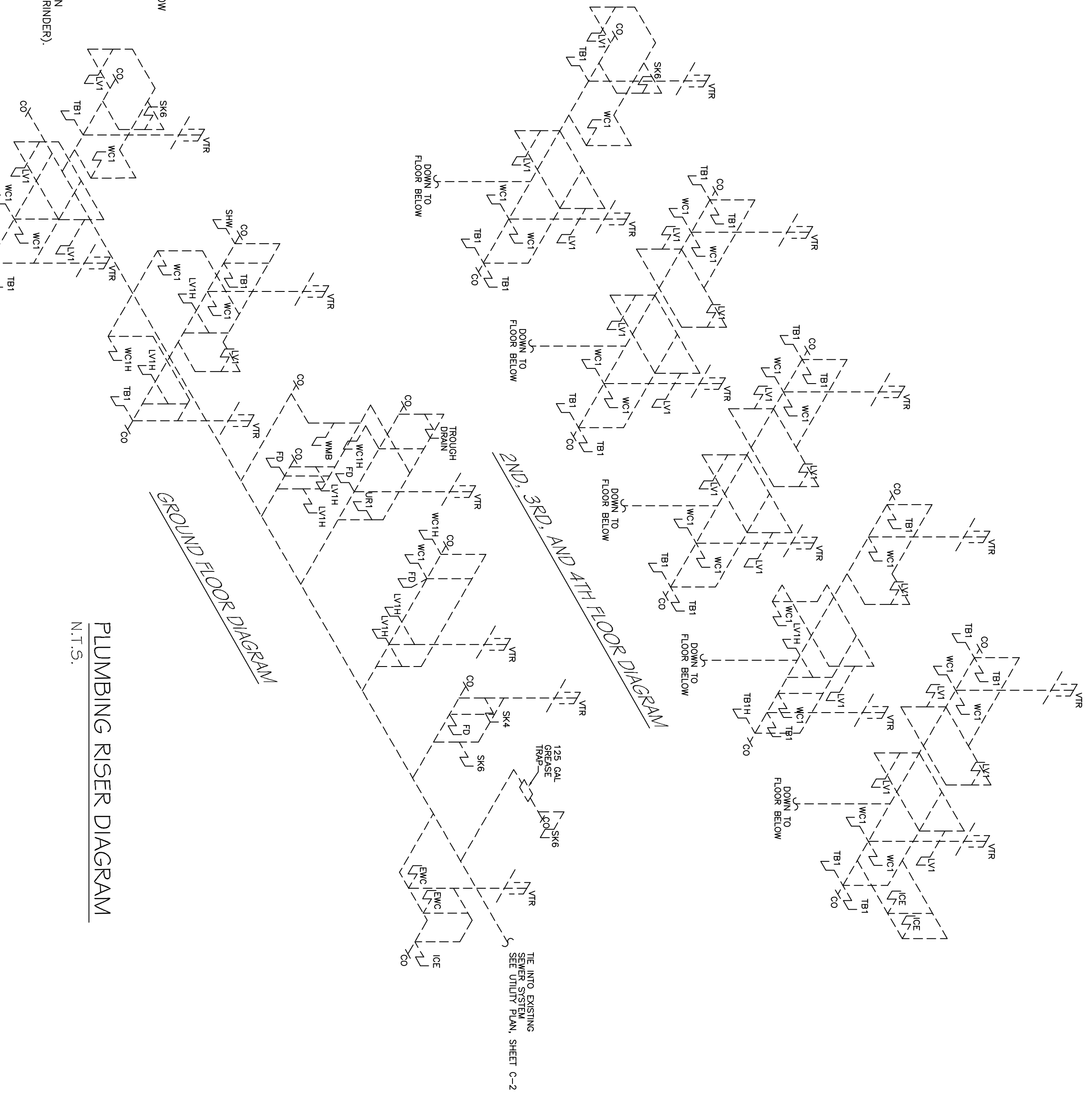
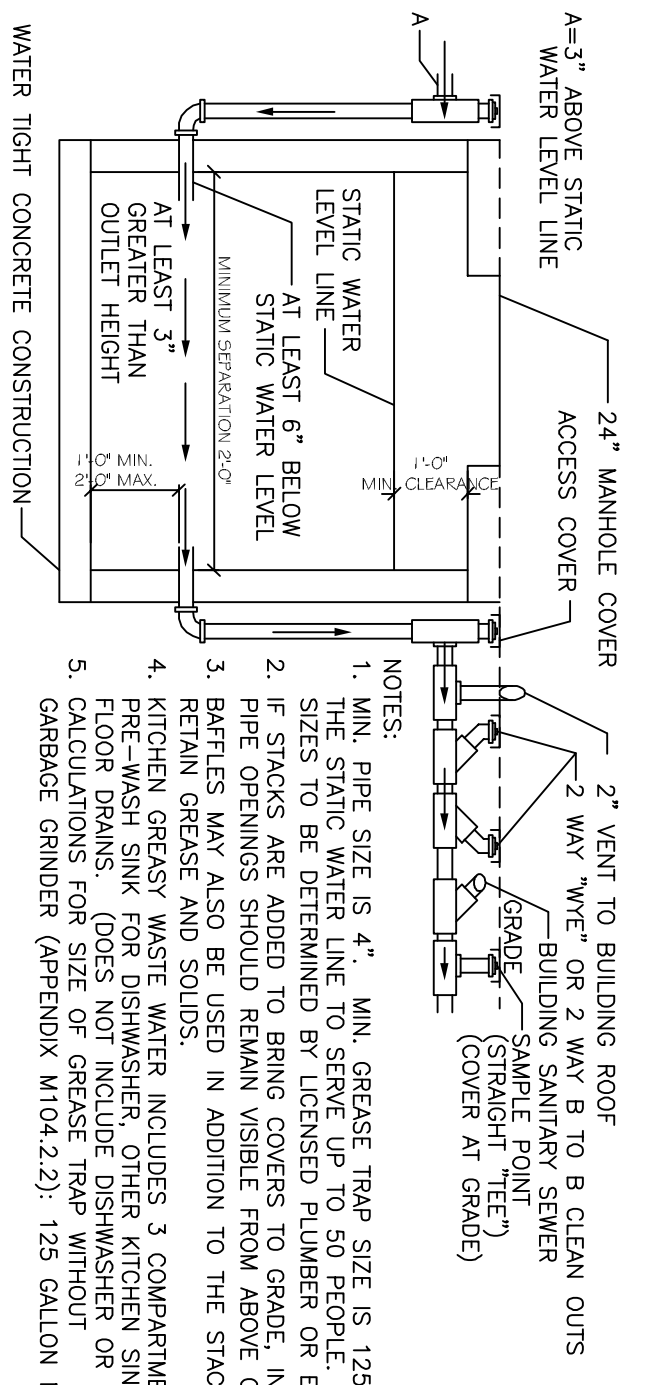
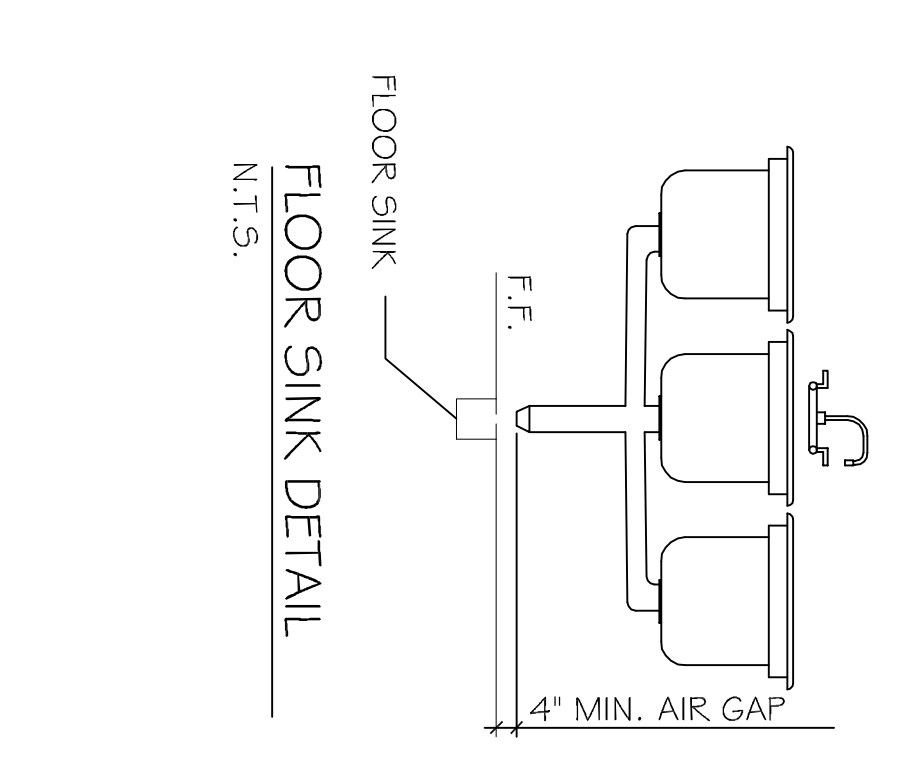
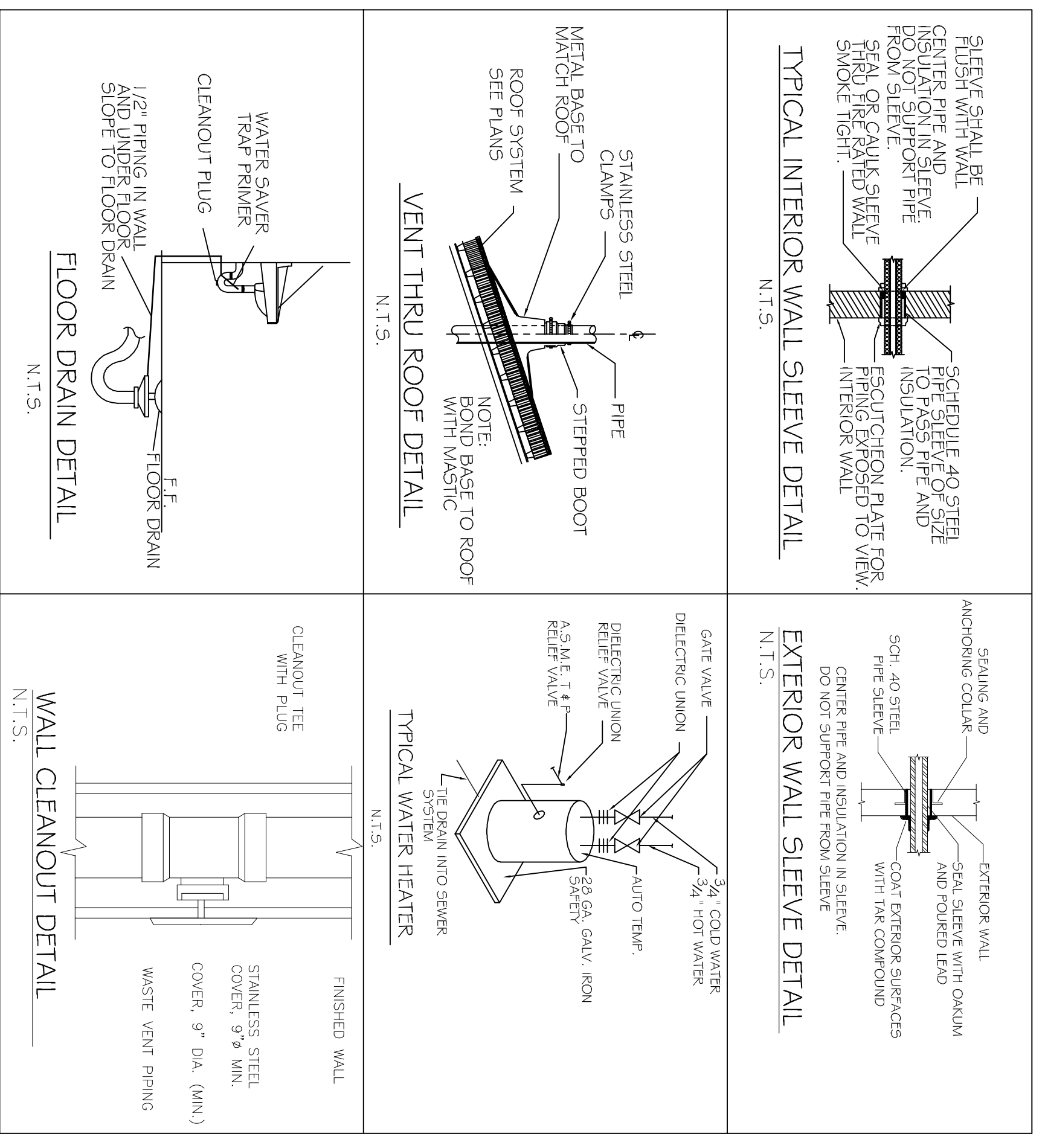
LA QUINTA
 INN & SUITES

SPORTSMAN PARK
 LOT 14
 CABLES PARKWAY
 GONZALES
 LOUISIANA

PLUMBING
 RISER & NOTES

REV:
 SCALE: AS NOTED
 JOB#: 2141
 DATE: 07-03-12
 SHEET 36

- SPRINKLER SYSTEM NOTES:**
1. SPRINKLER SYSTEM CONTRACTOR SHALL BE LICENSED IN STATE OF LOUISIANA.
 2. SPRINKLER SYSTEM DESIGN SHALL INCLUDE ATTIC AREAS. COORDINATE WITH ELECTRICAL CONTRACTOR TO PROVIDE HEAT FOR ATTIC TO PREVENT ATTIC TEMPERATURE FROM DROPPING BELOW 40° F WHEN OUTSIDE TEMPERATURE IS 20° F.



- NOTES:**
1. ALL COLD AND HOT WATER LINES TO HAVE CIRCUIT SETTERS.
 2. PROVIDE SHOP DRAWINGS FOR BUILDING. WATER SYSTEM SHOWING ALL VALVES, CIRCUIT SETTERS, ETC.
 3. CONTRACTOR SHALL PROVIDE FIRE SPRINKLER CONTRACTOR WITH 6" FLANGED STUD UP AT LOCATION TO BE DETERMINED IN FIELD.
 4. INSULATE HOT WATER LINES FROM HOT WATER HEATER TO 2ND FLOOR.
 5. INSULATE ALL HOT WATER LINES IN 2ND FLOOR CEILING.
 6. INSULATE TOTAL COLD WATER SYSTEM.
 7. PIPE INSULATION SHALL MEET ALL NATIONAL CODES FOR PRODUCT TYPE AND INSTALLATION PRACTICES.
 8. EACH RISER SHALL BE FLOW CONTROLLED BY A BRASS CIRCUIT SETTER
 9. SHUT OFF VALVES AT EACH RISER.
 10. NO PIPING TO PENETRATE EXHAUST CHASE.

- PLUMBING FIXTURE SCHEDULE**
- | MARK | FEATURE | TYPE | SIZE | MANUFACTURER & MODEL NO. | COLOR | CORNER | TRAP | SNL | INCH | SH | TH | REMARKS |
|--------|-------------------|---------|----------|--------------------------|-------|--------|--------|--------|--------|--------|--------|---|
| WC1 | WATER CLOSET | TR-KATD | STANDARD | COLO | WHITE | -- | 3" | 4" | 2" | 1 1/2" | -- | PROVIDE W/ WHITE GLAZED ROVER TILMANTO SEAT CHURCH MODEL # 320 L1 & GAL. PER FLUSH, NORT 1.2, 1.0 |
| WC1H | H.C. WATER CLOSET | TR-KATD | H.C. | OTO | WHITE | -- | 3" | 4" | 2" | 1 1/2" | -- | PROVIDE W/ WHITE GLAZED ROVER TILMANTO SEAT. PROVIDE W/ GLAZED W.C. & 5.5 G.P.M. FLUSH VALVE. PROVIDE W/ W.C. & 5.5 G.P.M. FLUSH VALVE. PROVIDE W/ W.C. & 5.5 G.P.M. FLUSH VALVE. PROVIDE W/ W.C. & 5.5 G.P.M. FLUSH VALVE. |
| WC1A | CLOSET | TR-KATD | STANDARD | AMERICAN STANDARD | WHITE | -- | 3" | 4" | 2" | 1 1/2" | -- | FLUSH VALVE (1.5 GAL PER FLUSH) NORT 1.2, 1.0 |
| WC1AH | H.C. WATER CLOSET | TR-KATD | H.C. | AMERICAN STANDARD | WHITE | -- | 3" | 4" | 2" | 1 1/2" | -- | PROVIDE W/ DESIGNED MODEL 9555 SINK & AUTOMATIC FLUSH VALVE (1.0 GAL PER FLUSH) NORT 1.2 |
| UR1 | URINAL | HUNG | HUNG | AMERICAN STANDARD | WHITE | W-DOO | 2" | 3" | 1 1/2" | 1" | -- | FLUSH NOTE 11 |
| LV1H | LAUNDRY VASHTORY | COUNTER | 21 x 17 | AMERICAN STANDARD | WHITE | -- | 1 1/4" | 1 1/2" | 1 1/2" | 1 1/2" | 1 1/2" | PROVIDE W/ AMERICAN STANDARD MODEL 2385 400" RIM FULLY MOUNTED, F-TAPE, ANGLE VALVE INSULATION, NOTES 2.3, 1.4 |
| LV1H1 | LAUNDRY VASHTORY | COUNTER | 20 x 16 | AMERICAN STANDARD | WHITE | -- | 1 1/4" | 1 1/2" | 1 1/2" | 1 1/2" | 1 1/2" | PROVIDE W/ AMERICAN STANDARD MODEL 2385 400" RIM FULLY MOUNTED, F-TAPE, ANGLE VALVE INSULATION, NOTES 2.3, 1.4 |
| LV1H2 | LAUNDRY VASHTORY | COUNTER | 20 x 16 | AMERICAN STANDARD | WHITE | -- | 1 1/4" | 1 1/2" | 1 1/2" | 1 1/2" | 1 1/2" | PROVIDE W/ AMERICAN STANDARD MODEL 2385 400" RIM FULLY MOUNTED, F-TAPE, ANGLE VALVE INSULATION, NOTES 2.3, 1.4 |
| LV1H3 | LAUNDRY VASHTORY | COUNTER | 20 x 16 | AMERICAN STANDARD | WHITE | -- | 1 1/4" | 1 1/2" | 1 1/2" | 1 1/2" | 1 1/2" | PROVIDE W/ AMERICAN STANDARD MODEL 2385 400" RIM FULLY MOUNTED, F-TAPE, ANGLE VALVE INSULATION, NOTES 2.3, 1.4 |
| LV1H4 | LAUNDRY VASHTORY | COUNTER | 20 x 16 | AMERICAN STANDARD | WHITE | -- | 1 1/4" | 1 1/2" | 1 1/2" | 1 1/2" | 1 1/2" | PROVIDE W/ AMERICAN STANDARD MODEL 2385 400" RIM FULLY MOUNTED, F-TAPE, ANGLE VALVE INSULATION, NOTES 2.3, 1.4 |
| LV1H5 | LAUNDRY VASHTORY | COUNTER | 20 x 16 | AMERICAN STANDARD | WHITE | -- | 1 1/4" | 1 1/2" | 1 1/2" | 1 1/2" | 1 1/2" | PROVIDE W/ AMERICAN STANDARD MODEL 2385 400" RIM FULLY MOUNTED, F-TAPE, ANGLE VALVE INSULATION, NOTES 2.3, 1.4 |
| LV1H6 | LAUNDRY VASHTORY | COUNTER | 20 x 16 | AMERICAN STANDARD | WHITE | -- | 1 1/4" | 1 1/2" | 1 1/2" | 1 1/2" | 1 1/2" | PROVIDE W/ AMERICAN STANDARD MODEL 2385 400" RIM FULLY MOUNTED, F-TAPE, ANGLE VALVE INSULATION, NOTES 2.3, 1.4 |
| LV1H7 | LAUNDRY VASHTORY | COUNTER | 20 x 16 | AMERICAN STANDARD | WHITE | -- | 1 1/4" | 1 1/2" | 1 1/2" | 1 1/2" | 1 1/2" | PROVIDE W/ AMERICAN STANDARD MODEL 2385 400" RIM FULLY MOUNTED, F-TAPE, ANGLE VALVE INSULATION, NOTES 2.3, 1.4 |
| LV1H8 | LAUNDRY VASHTORY | COUNTER | 20 x 16 | AMERICAN STANDARD | WHITE | -- | 1 1/4" | 1 1/2" | 1 1/2" | 1 1/2" | 1 1/2" | PROVIDE W/ AMERICAN STANDARD MODEL 2385 400" RIM FULLY MOUNTED, F-TAPE, ANGLE VALVE INSULATION, NOTES 2.3, 1.4 |
| LV1H9 | LAUNDRY VASHTORY | COUNTER | 20 x 16 | AMERICAN STANDARD | WHITE | -- | 1 1/4" | 1 1/2" | 1 1/2" | 1 1/2" | 1 1/2" | PROVIDE W/ AMERICAN STANDARD MODEL 2385 400" RIM FULLY MOUNTED, F-TAPE, ANGLE VALVE INSULATION, NOTES 2.3, 1.4 |
| LV1H10 | LAUNDRY VASHTORY | COUNTER | 20 x 16 | AMERICAN STANDARD | WHITE | -- | 1 1/4" | 1 1/2" | 1 1/2" | 1 1/2" | 1 1/2" | PROVIDE W/ AMERICAN STANDARD MODEL 2385 400" RIM FULLY MOUNTED, F-TAPE, ANGLE VALVE INSULATION, NOTES 2.3, 1.4 |
| LV1H11 | LAUNDRY VASHTORY | COUNTER | 20 x 16 | AMERICAN STANDARD | WHITE | -- | 1 1/4" | 1 1/2" | 1 1/2" | 1 1/2" | 1 1/2" | PROVIDE W/ AMERICAN STANDARD MODEL 2385 400" RIM FULLY MOUNTED, F-TAPE, ANGLE VALVE INSULATION, NOTES 2.3, 1.4 |
| LV1H12 | LAUNDRY VASHTORY | COUNTER | 20 x 16 | AMERICAN STANDARD | WHITE | -- | 1 1/4" | 1 1/2" | 1 1/2" | 1 1/2" | 1 1/2" | PROVIDE W/ AMERICAN STANDARD MODEL 2385 400" RIM FULLY MOUNTED, F-TAPE, ANGLE VALVE INSULATION, NOTES 2.3, 1.4 |
| LV1H13 | LAUNDRY VASHTORY | COUNTER | 20 x 16 | AMERICAN STANDARD | WHITE | -- | 1 1/4" | 1 1/2" | 1 1/2" | 1 1/2" | 1 1/2" | PROVIDE W/ AMERICAN STANDARD MODEL 2385 400" RIM FULLY MOUNTED, F-TAPE, ANGLE VALVE INSULATION, NOTES 2.3, 1.4 |
| LV1H14 | LAUNDRY VASHTORY | COUNTER | 20 x 16 | AMERICAN STANDARD | WHITE | -- | 1 1/4" | 1 1/2" | 1 1/2" | 1 1/2" | 1 1/2" | PROVIDE W/ AMERICAN STANDARD MODEL 2385 400" RIM FULLY MOUNTED, F-TAPE, ANGLE VALVE INSULATION, NOTES 2.3, 1.4 |
| LV1H15 | LAUNDRY VASHTORY | COUNTER | 20 x 16 | AMERICAN STANDARD | WHITE | -- | 1 1/4" | 1 1/2" | 1 1/2" | 1 1/2" | 1 1/2" | PROVIDE W/ AMERICAN STANDARD MODEL 2385 400" RIM FULLY MOUNTED, F-TAPE, ANGLE VALVE INSULATION, NOTES 2.3, 1.4 |
| LV1H16 | LAUNDRY VASHTORY | COUNTER | 20 x 16 | AMERICAN STANDARD | WHITE | -- | 1 1/4" | 1 1/2" | 1 1/2" | 1 1/2" | 1 1/2" | PROVIDE W/ AMERICAN STANDARD MODEL 2385 400" RIM FULLY MOUNTED, F-TAPE, ANGLE VALVE INSULATION, NOTES 2.3, 1.4 |
| LV1H17 | LAUNDRY VASHTORY | COUNTER | 20 x 16 | AMERICAN STANDARD | WHITE | -- | 1 1/4" | 1 1/2" | 1 1/2" | 1 1/2" | 1 1/2" | PROVIDE W/ AMERICAN STANDARD MODEL 2385 400" RIM FULLY MOUNTED, F-TAPE, ANGLE VALVE INSULATION, NOTES 2.3, 1.4 |
| LV1H18 | LAUNDRY VASHTORY | COUNTER | 20 x 16 | AMERICAN STANDARD | WHITE | -- | 1 1/4" | 1 1/2" | 1 1/2" | 1 1/2" | 1 1/2" | PROVIDE W/ AMERICAN STANDARD MODEL 2385 400" RIM FULLY MOUNTED, F-TAPE, ANGLE VALVE INSULATION, NOTES 2.3, 1.4 |
| LV1H19 | LAUNDRY VASHTORY | COUNTER | 20 x 16 | AMERICAN STANDARD | WHITE | -- | 1 1/4" | 1 1/2" | 1 1/2" | 1 1/2" | 1 1/2" | PROVIDE W/ AMERICAN STANDARD MODEL 2385 400" RIM FULLY MOUNTED, F-TAPE, ANGLE VALVE INSULATION, NOTES 2.3, 1.4 |
| LV1H20 | LAUNDRY VASHTORY | COUNTER | 20 x 16 | AMERICAN STANDARD | WHITE | -- | 1 1/4" | 1 1/2" | 1 1/2" | 1 1/2" | 1 1/2" | PROVIDE W/ AMERICAN STANDARD MODEL 2385 400" RIM FULLY MOUNTED, F-TAPE, ANGLE VALVE INSULATION, NOTES 2.3, 1.4 |
| LV1H21 | LAUNDRY VASHTORY | COUNTER | 20 x 16 | AMERICAN STANDARD | WHITE | -- | 1 1/4" | 1 1/2" | 1 1/2" | 1 1/2" | 1 1/2" | PROVIDE W/ AMERICAN STANDARD MODEL 2385 400" RIM FULLY MOUNTED, F-TAPE, ANGLE VALVE INSULATION, NOTES 2.3, 1.4 |
| LV1H22 | LAUNDRY VASHTORY | COUNTER | 20 x 16 | AMERICAN STANDARD | WHITE | -- | 1 1/4" | 1 1/2" | 1 1/2" | 1 1/2" | 1 1/2" | PROVIDE W/ AMERICAN STANDARD MODEL 2385 400" RIM FULLY MOUNTED, F-TAPE, ANGLE VALVE INSULATION, NOTES 2.3, 1.4 |
| LV1H23 | LAUNDRY VASHTORY | COUNTER | 20 x 16 | AMERICAN STANDARD | WHITE | -- | 1 1/4" | 1 1/2" | 1 1/2" | 1 1/2" | 1 1/2" | PROVIDE W/ AMERICAN STANDARD MODEL 2385 400" RIM FULLY MOUNTED, F-TAPE, ANGLE VALVE INSULATION, NOTES 2.3, 1.4 |
| LV1H24 | LAUNDRY VASHTORY | COUNTER | 20 x 16 | AMERICAN STANDARD | WHITE | -- | 1 1/4" | 1 1/2" | 1 1/2" | 1 1/2" | 1 1/2" | PROVIDE W/ AMERICAN STANDARD MODEL 2385 400" RIM FULLY MOUNTED, F-TAPE, ANGLE VALVE INSULATION, NOTES 2.3, 1.4 |
| LV1H25 | LAUNDRY VASHTORY | COUNTER | 20 x 16 | AMERICAN STANDARD | WHITE | -- | 1 1/4" | 1 1/2" | 1 1/2" | 1 1/2" | 1 1/2" | PROVIDE W/ AMERICAN STANDARD MODEL 2385 400" RIM FULLY MOUNTED, F-TAPE, ANGLE VALVE INSULATION, NOTES 2.3, 1.4 |
| LV1H26 | LAUNDRY VASHTORY | COUNTER | 20 x 16 | AMERICAN STANDARD | WHITE | -- | 1 1/4" | 1 1/2" | 1 1/2" | 1 1/2" | 1 1/2" | PROVIDE W/ AMERICAN STANDARD MODEL 2385 400" RIM FULLY MOUNTED, F-TAPE, ANGLE VALVE INSULATION, NOTES 2.3, 1.4 |
| LV1H27 | LAUNDRY VASHTORY | COUNTER | 20 x 16 | AMERICAN STANDARD | WHITE | -- | 1 1/4" | 1 1/2" | 1 1/2" | 1 1/2" | 1 1/2" | PROVIDE W/ AMERICAN STANDARD MODEL 2385 400" RIM FULLY MOUNTED, F-TAPE, ANGLE VALVE INSULATION, NOTES 2.3, 1.4 |
| LV1H28 | LAUNDRY VASHTORY | COUNTER | 20 x 16 | AMERICAN STANDARD | WHITE | -- | 1 1/4" | 1 1/2" | 1 1/2" | 1 1/2" | 1 1/2" | PROVIDE W/ AMERICAN STANDARD MODEL 2385 400" RIM FULLY MOUNTED, F-TAPE, ANGLE VALVE INSULATION, NOTES 2.3, 1.4 |
| LV1H29 | LAUNDRY VASHTORY | COUNTER | 20 x 16 | AMERICAN STANDARD | WHITE | -- | 1 1/4" | 1 1/2" | 1 1/2" | 1 1/2" | 1 1/2" | PROVIDE W/ AMERICAN STANDARD MODEL 2385 400" RIM FULLY MOUNTED, F-TAPE, ANGLE VALVE INSULATION, NOTES 2.3, 1.4 |
| LV1H30 | LAUNDRY VASHTORY | COUNTER | 20 x 16 | AMERICAN STANDARD | WHITE | -- | 1 1/4" | 1 1/2" | 1 1/2" | 1 1/2" | 1 1/2" | PROVIDE W/ AMERICAN STANDARD MODEL 2385 400" RIM FULLY MOUNTED, F-TAPE, ANGLE VALVE INSULATION, NOTES 2.3, 1.4 |
| LV1H31 | LAUNDRY VASHTORY | COUNTER | 20 x 16 | AMERICAN STANDARD | WHITE | -- | 1 1/4" | 1 1/2" | 1 1/2" | 1 1/2" | 1 1/2" | PROVIDE W/ AMERICAN STANDARD MODEL 2385 400" RIM FULLY MOUNTED, F-TAPE, ANGLE VALVE INSULATION, NOTES 2.3, 1.4 |
| LV1H32 | LAUNDRY VASHTORY | COUNTER | 20 x 16 | AMERICAN STANDARD | WHITE | -- | 1 1/4" | 1 1/2" | 1 1/2" | 1 1/2" | 1 1/2" | PROVIDE W/ AMERICAN STANDARD MODEL 2385 400" RIM FULLY MOUNTED, F-TAPE, ANGLE VALVE INSULATION, NOTES 2.3, 1.4 |
| LV1H33 | LAUNDRY VASHTORY | COUNTER | 20 x 16 | AMERICAN STANDARD | WHITE | -- | 1 1/4" | 1 1/2" | 1 1/2" | 1 1/2" | 1 1/2" | PROVIDE W/ AMERICAN STANDARD MODEL 2385 400" RIM FULLY MOUNTED, F-TAPE, ANGLE VALVE INSULATION, NOTES 2.3, 1.4 |
| LV1H34 | LAUNDRY VASHTORY | COUNTER | 20 x 16 | AMERICAN STANDARD | WHITE | -- | 1 1/4" | 1 1/2" | 1 1/2" | 1 1/2" | 1 1/2" | PROVIDE W/ AMERICAN STANDARD MODEL 2385 400" RIM FULLY MOUNTED, F-TAPE, ANGLE VALVE INSULATION, NOTES 2.3, 1.4 |
| LV1H35 | LAUNDRY VASHTORY | COUNTER | 20 x 16 | AMERICAN STANDARD | WHITE | -- | 1 1/4" | 1 1/2" | 1 1/2" | 1 1/2" | 1 1/2" | PROVIDE W/ AMERICAN STANDARD MODEL 2385 400" RIM FULLY MOUNTED, F-TAPE, ANGLE VALVE INSULATION, NOTES 2.3, 1.4 |
| LV1H36 | LAUNDRY VASHTORY | COUNTER | 20 x 16 | AMERICAN STANDARD | WHITE | -- | 1 1/4" | 1 1/2" | 1 1/2" | 1 1/2" | 1 1/2" | PROVIDE W/ AMERICAN STANDARD MODEL 2385 400" RIM FULLY MOUNTED, F-TAPE, ANGLE VALVE INSULATION, NOTES 2.3, 1.4 |
| LV1H37 | LAUNDRY VASHTORY | COUNTER | 20 x 16 | AMERICAN STANDARD | WHITE | -- | 1 1/4" | 1 1/2" | 1 1/2" | 1 1/2" | 1 1/2" | PROVIDE W/ AMERICAN STANDARD MODEL 2385 400" RIM FULLY MOUNTED, F-TAPE, ANGLE VALVE INSULATION, NOTES 2.3, 1.4 |
| LV1H38 | LAUNDRY VASHTORY | COUNTER | 20 x 16 | AMERICAN STANDARD | WHITE | -- | 1 1/4" | 1 1/2" | 1 1/2" | 1 1/2" | 1 1/2" | PROVIDE W/ AMERICAN STANDARD MODEL 2385 400" RIM FULLY MOUNTED, F-TAPE, ANGLE VALVE INSULATION, NOTES 2.3, 1.4 |
| LV1H39 | LAUNDRY VASHTORY | COUNTER | 20 x 16 | AMERICAN STANDARD | WHITE | -- | 1 1/4" | 1 1/2" | 1 1/2" | 1 1/2" | 1 1/2" | PROVIDE W/ AMERICAN STANDARD MODEL 2385 400" RIM FULLY MOUNTED, F-TAPE, ANGLE VALVE INSULATION, NOTES 2.3, 1.4 |
| LV1H40 | LAUNDRY VASHTORY | COUNTER | 20 x 16 | AMERICAN STANDARD | WHITE | -- | 1 1/4" | 1 1/2" | 1 1/2" | 1 1/2" | 1 1/2" | PROVIDE W/ AMERICAN STANDARD MODEL 2385 400" RIM FULLY MOUNTED, F-TAPE, ANGLE VALVE INSULATION, NOTES 2.3, 1.4 |
| LV1H41 | LAUNDRY VASHTORY | COUNTER | 20 x 16 | AMERICAN STANDARD | WHITE | -- | 1 1/4" | 1 1/2" | 1 1/2" | 1 1/2" | 1 1/2" | PROVIDE W/ AMERICAN STANDARD MODEL 2385 400" RIM FULLY MOUNTED, F-TAPE, ANGLE VALVE INSULATION, NOTES 2.3, 1.4 |
| LV1H42 | LAUNDRY VASHTORY | COUNTER | 20 x 16 | AMERICAN STANDARD | WHITE | -- | 1 1/4" | 1 1/2" | 1 1/2" | 1 1/2" | 1 1/2" | PROVIDE W/ AMERICAN STANDARD MODEL 2385 400" RIM FULLY MOUNTED, F-TAPE, ANGLE VALVE INSULATION, NOTES 2.3, 1.4 |
| LV1H43 | LAUNDRY VASHTORY | COUNTER | 20 x 16 | AMERICAN STANDARD | WHITE | -- | 1 1/4" | 1 1/2" | 1 1/2" | 1 1/2" | 1 1/2" | PROVIDE W/ AMERICAN STANDARD MODEL 2385 400" RIM FULLY MOUNTED, F-TAPE, ANGLE VALVE INSULATION, NOTES 2.3, 1.4 |
| LV1H44 | LAUNDRY VASHTORY | COUNTER | 20 x 16 | AMERICAN STANDARD | WHITE | -- | 1 1/4" | 1 1/2" | 1 1/2" | 1 1/2" | 1 1/2" | PROVIDE W/ AMERICAN STANDARD MODEL 2385 400" RIM FULLY MOUNTED, F-TAPE, ANGLE VALVE INSULATION, NOTES 2.3, 1.4 |
| LV1H45 | LAUNDRY VASHTORY | COUNTER | 20 x 16 | AMERICAN STANDARD | WHITE | -- | 1 1/4" | 1 1/2" | 1 1/2" | 1 1/2" | 1 1/2" | PROVIDE W/ AMERICAN STANDARD MODEL 2385 400" RIM FULLY MOUNTED, F-TAPE, ANGLE VALVE INSULATION, NOTES 2.3, 1.4 |
| LV1H46 | LAUNDRY VASHTORY | COUNTER | 20 x 16 | AMERICAN STANDARD | WHITE | -- | 1 1/4" | 1 1/2" | 1 1/2" | 1 1/2" | 1 1/2" | PROVIDE W/ AMERICAN STANDARD MODEL 2385 400" RIM FULLY MOUNTED, F-TAPE, ANGLE VALVE INSULATION, NOTES 2.3, 1.4 |
| LV1H47 | LAUNDRY VASHTORY | COUNTER | 20 x 16 | AMERICAN STANDARD | WHITE | -- | 1 1/4" | 1 1/2" | 1 1/2" | 1 1/2" | 1 1/2" | PROVIDE W/ AMERICAN STANDARD MODEL 2385 400" RIM FULLY MOUNTED, F-TAPE, ANGLE VALVE INSULATION, NOTES 2.3, 1.4 |
| LV1H48 | LAUNDRY VASHTORY | COUNTER | 20 x 16 | AMERICAN STANDARD | WHITE | -- | 1 1/4" | 1 1/2" | 1 1/2" | 1 1/2" | 1 1/2" | PROVIDE W/ AMERICAN STANDARD MODEL 2385 400" RIM FULLY MOUNTED, F-TAPE, ANGLE VALVE INSULATION, NOTES 2.3, 1.4 |
| LV1H49 | LAUNDRY VASHTORY | COUNTER | 20 x 16 | AMERICAN STANDARD | WHITE | -- | 1 1/4" | 1 1/2" | 1 1/2" | 1 1/2" | 1 1/2" | PROVIDE W/ AMERICAN STANDARD MODEL 2385 400" RIM FULLY MOUNTED, F-TAPE, ANGLE VALVE INSULATION, NOTES 2.3, 1.4 |
| LV1H50 | LAUNDRY VASHTORY | COUNTER | 20 x 16 | AMERICAN STANDARD | WHITE | -- | 1 1/4" | 1 1/2" | 1 1/2" | 1 1/2" | 1 1/2" | PROVIDE W/ AMERICAN STANDARD MODEL 2385 400" RIM FULLY MOUNTED, F-TAPE, ANGLE VALVE INSULATION, NOTES 2.3, 1.4 |
| LV1H51 | LAUNDRY VASHTORY | COUNTER | 20 x 16 | AMERICAN STANDARD | WHITE | -- | 1 1/4" | 1 1/2" | 1 1/2" | 1 1/2" | 1 1/2" | PROVIDE W/ AMERICAN STANDARD MODEL 2385 400" RIM FULLY MOUNTED, F-TAPE, ANGLE VALVE INSULATION, NOTES 2.3, 1.4 |
| LV1H52 | LAUNDRY VASHTORY | COUNTER | 20 x 16 | AMERICAN STANDARD | WHITE | -- | 1 1/4" | 1 1/2" | 1 1/2" | 1 1/2" | 1 1/2" | PROVIDE W/ AMERICAN STANDARD MODEL 2385 400" RIM FULLY MOUNTED, F-TAPE, ANGLE VALVE INSULATION, NOTES 2.3, 1.4 |
| LV1H53 | LAUNDRY VASHTORY | COUNTER | 20 x 16 | AMERICAN STANDARD | WHITE | -- | 1 1/4" | 1 1/2" | 1 | | | |