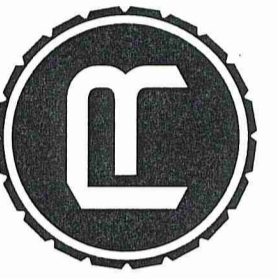
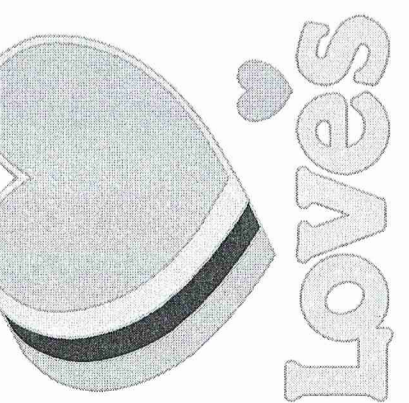




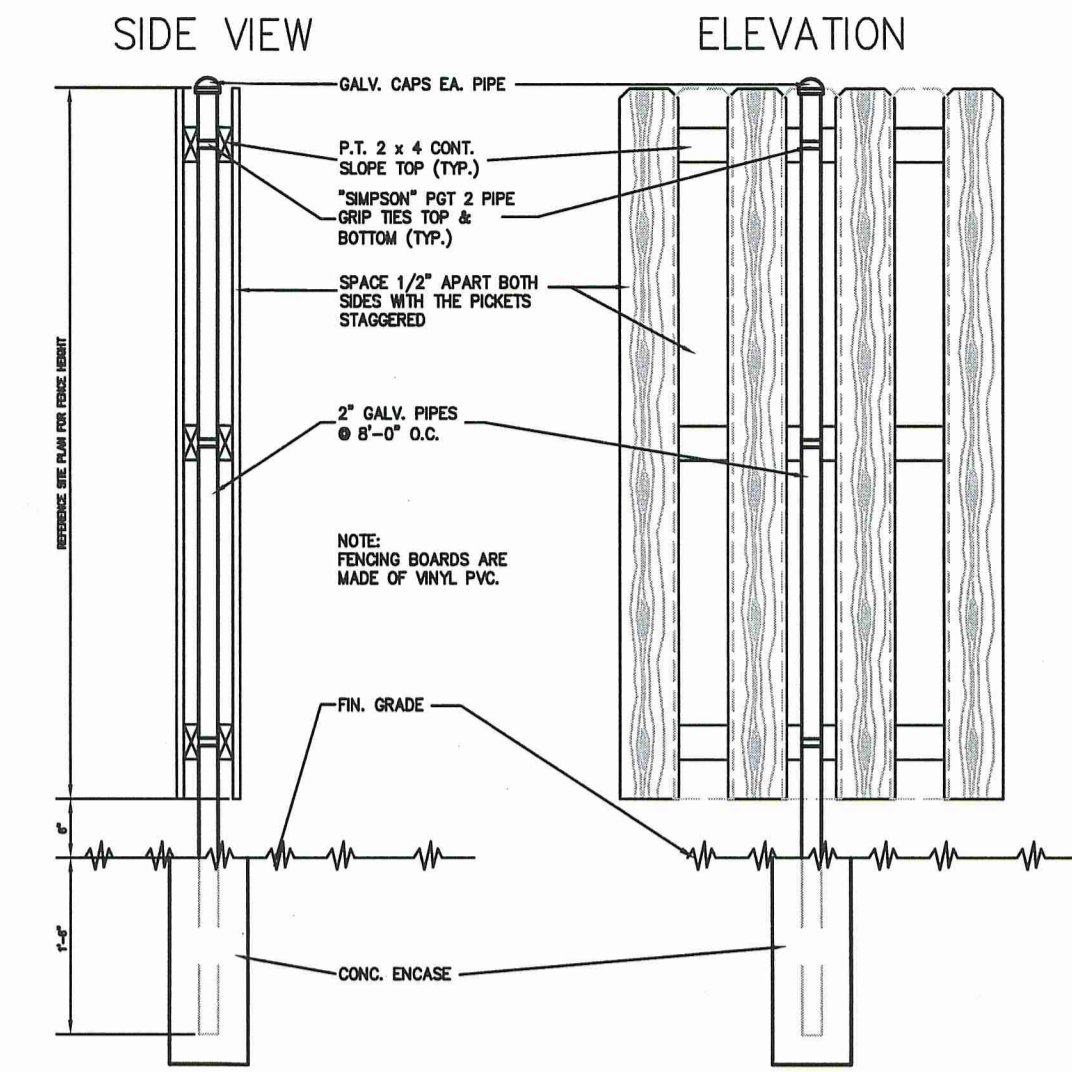
RESOURCE CONSULTING
 CIVIL ENGINEERING
 6700 Jefferson Highway - Resource Suite 4A
 Baton Rouge, Louisiana 70806
 ResourceConsulting@hotmail.com
 Tel: (225) 761-9909, Fax: (225) 766-6672



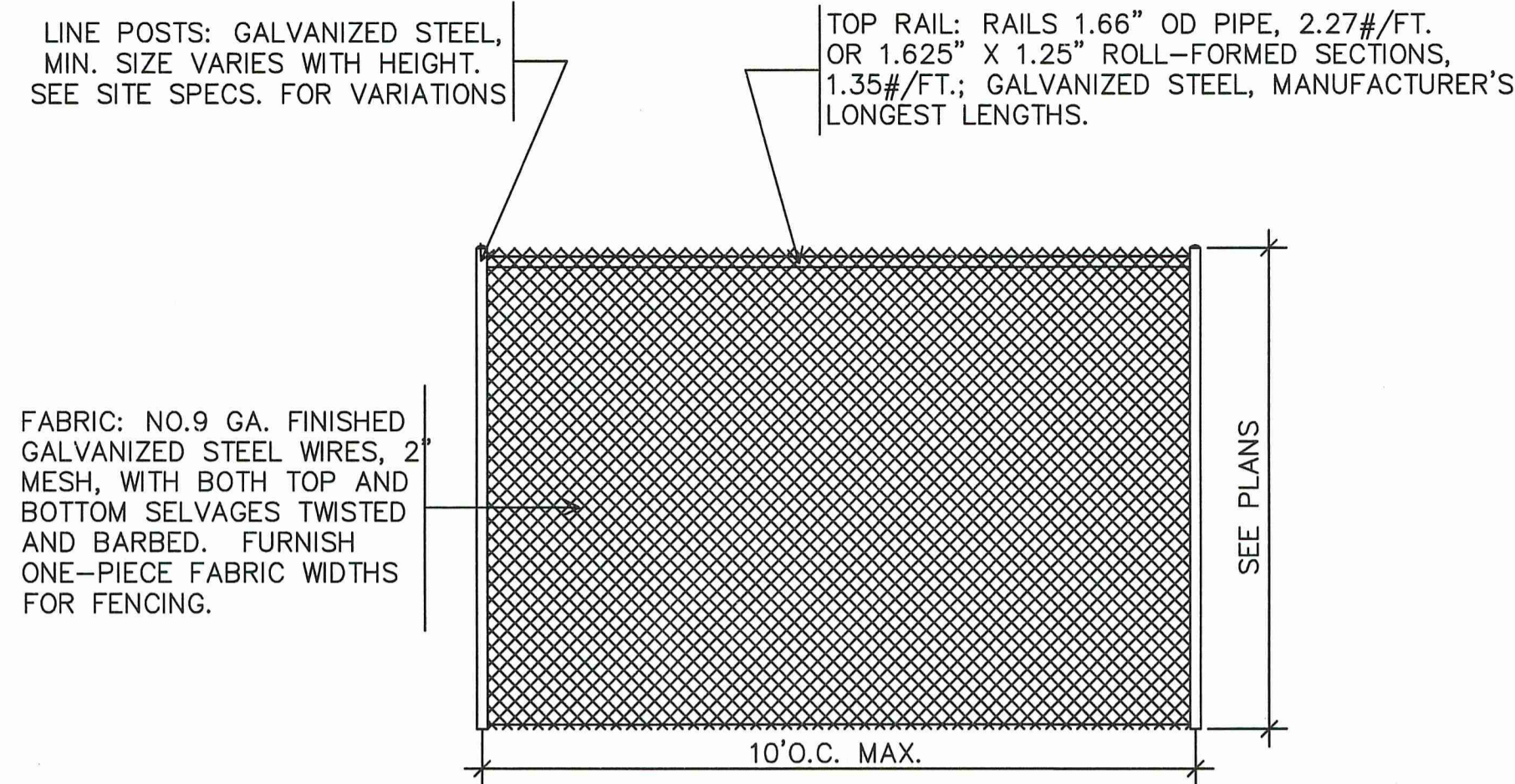
LOVE'S TRAVEL STOP
 INTERSTATE 59 EXIT 1 @ MS HIGHWAY 607
 PEARL RIVER COUNTY, MISSISSIPPI



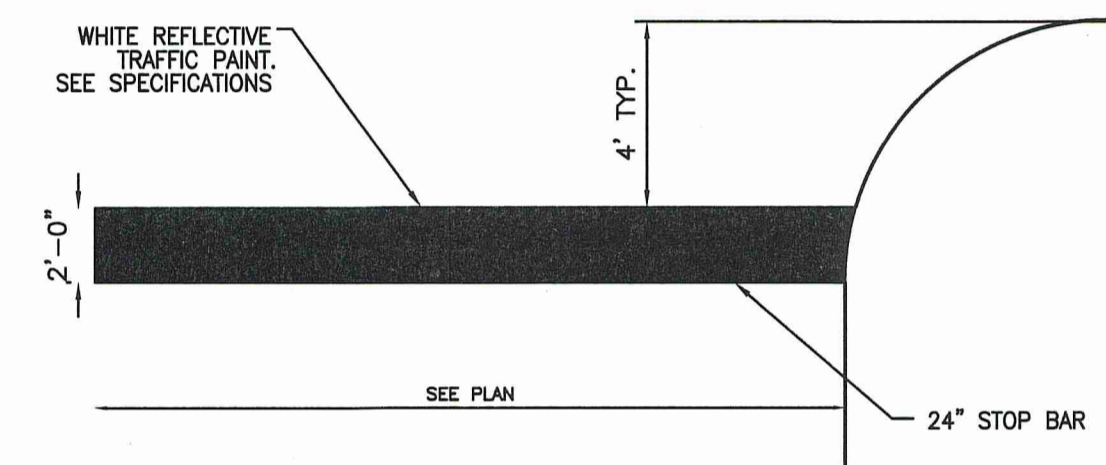
C9.0



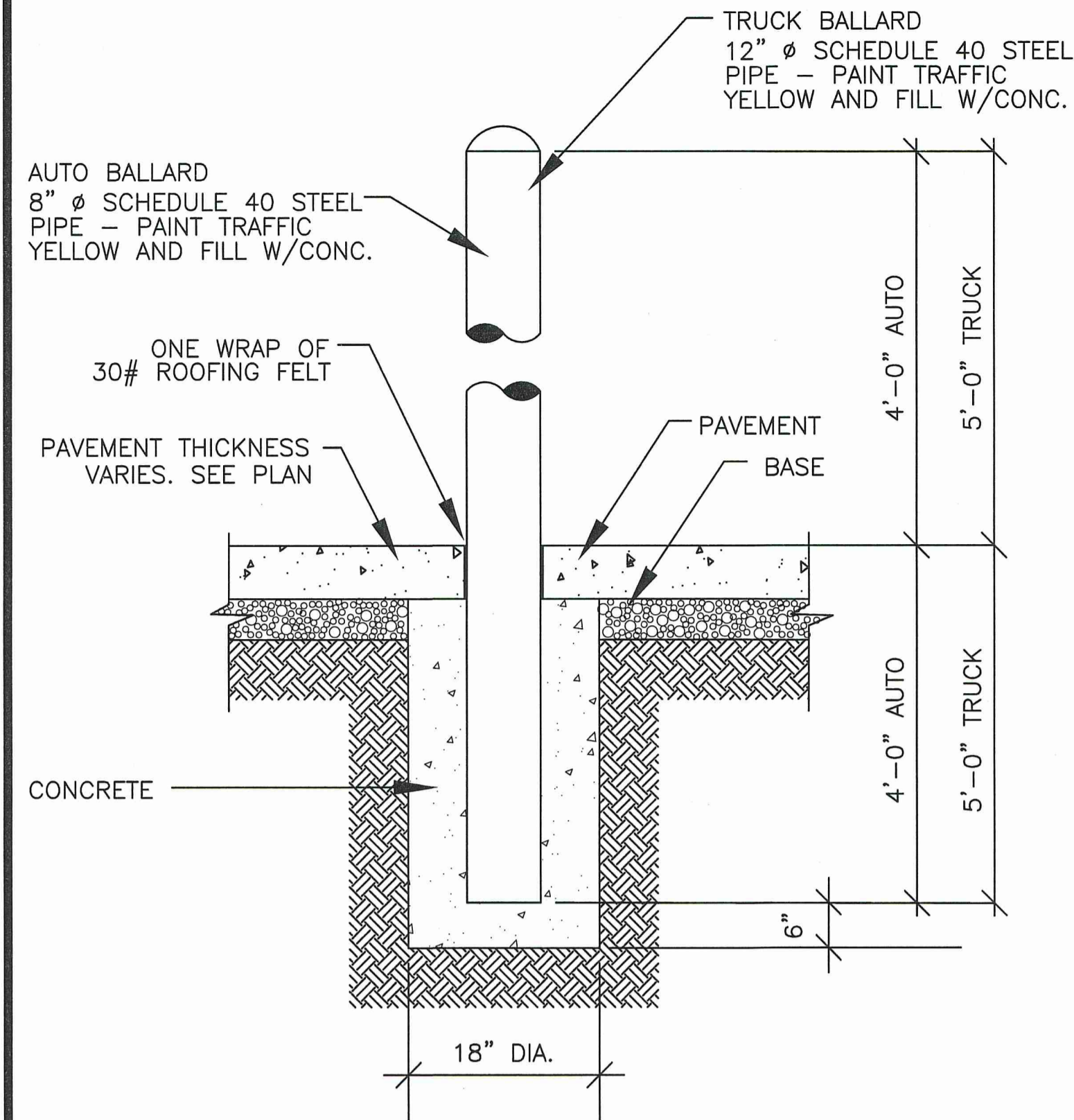
VINYL PVC FENCE DETAIL
 N.T.S.



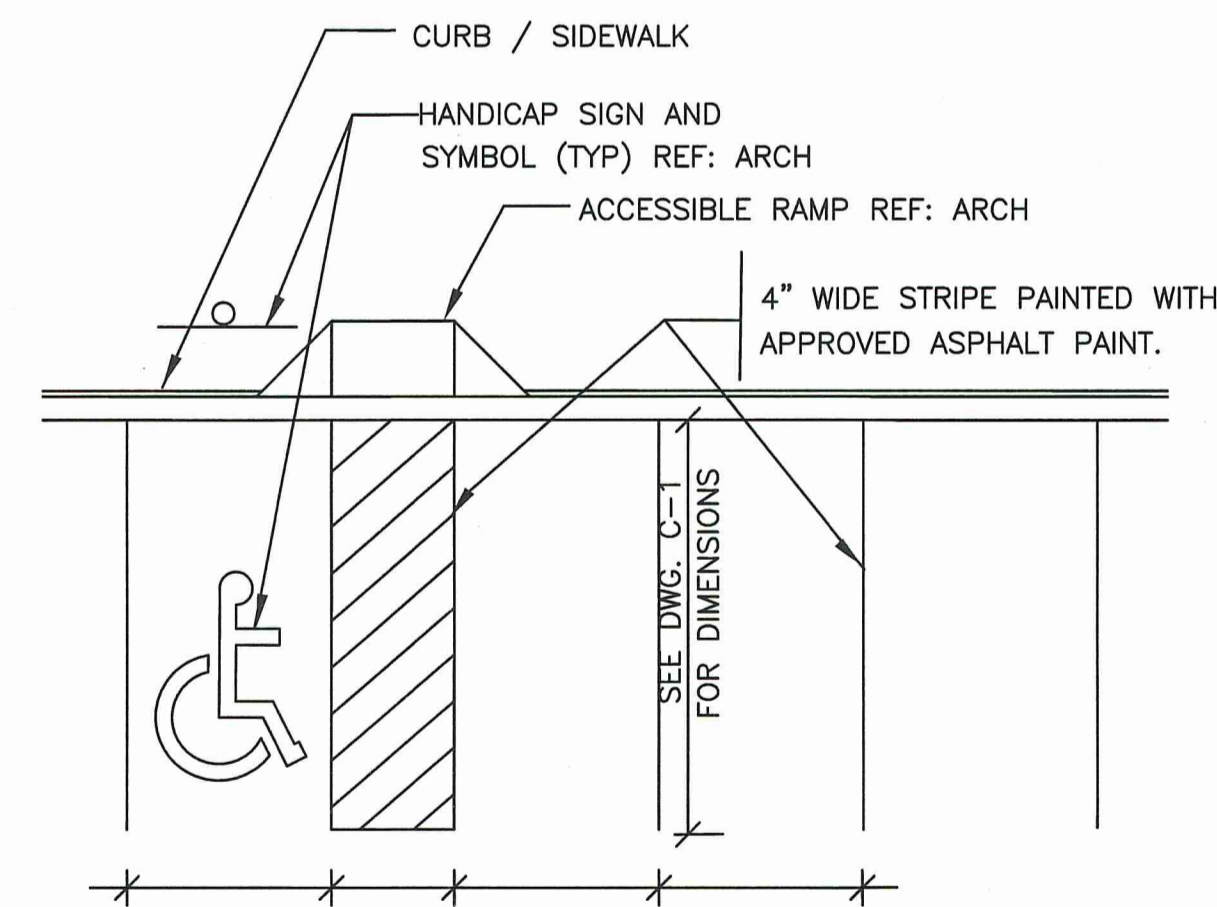
CHAIN LINK FENCE DETAIL
 NO SCALE CS06



STOP BAR AND PAVEMENT MARKINGS DETAIL
 N.T.S. CS05

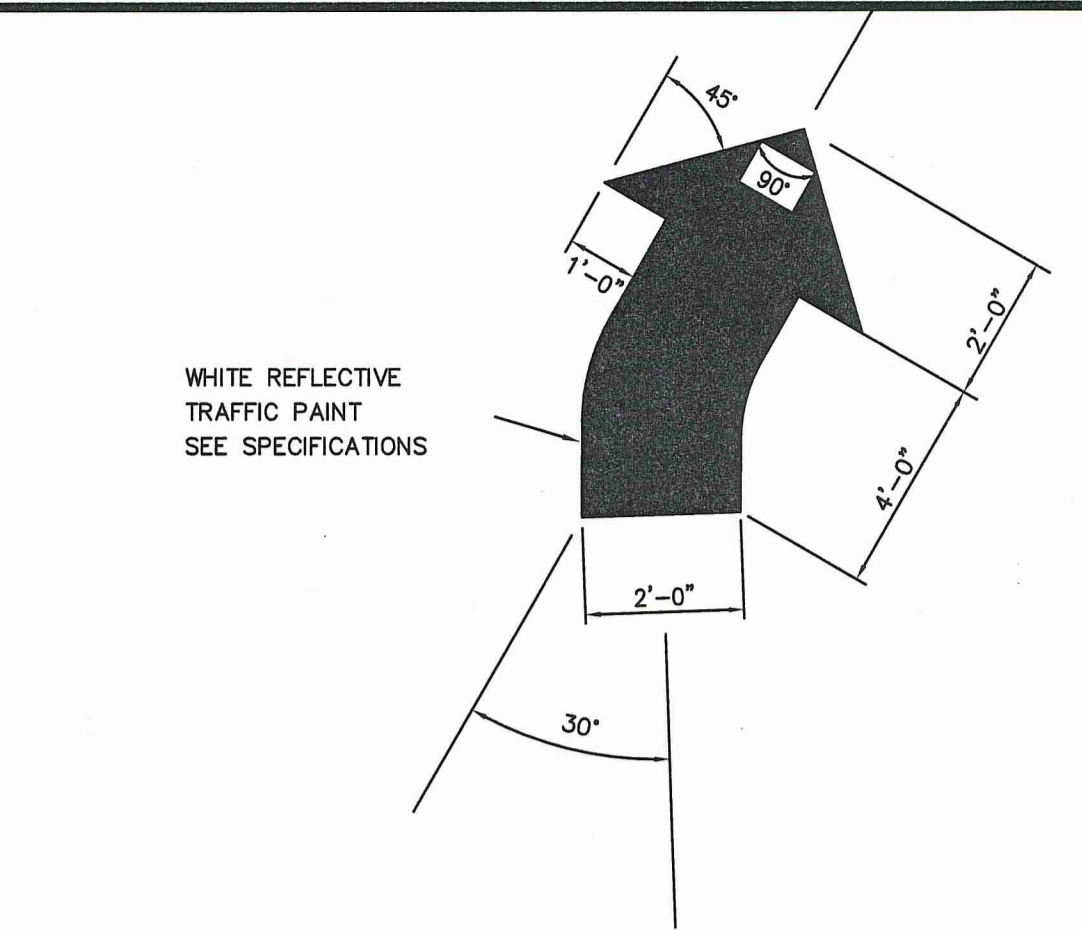


PIPE BOLLARD DETAIL
 N.T.S. CS27

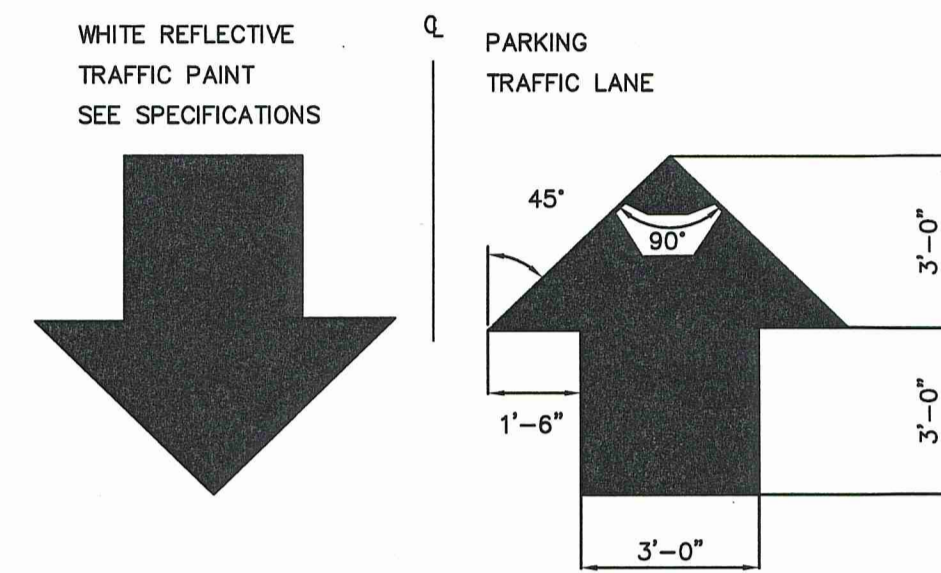


90° PARKING DETAIL
 NO SCALE CS21

REFERENCE ARCHITECTURAL PLANS FOR ALL ACCESSIBLE DETAILS FOR RAMPS, PARKING, SIGNAGE, ETC.

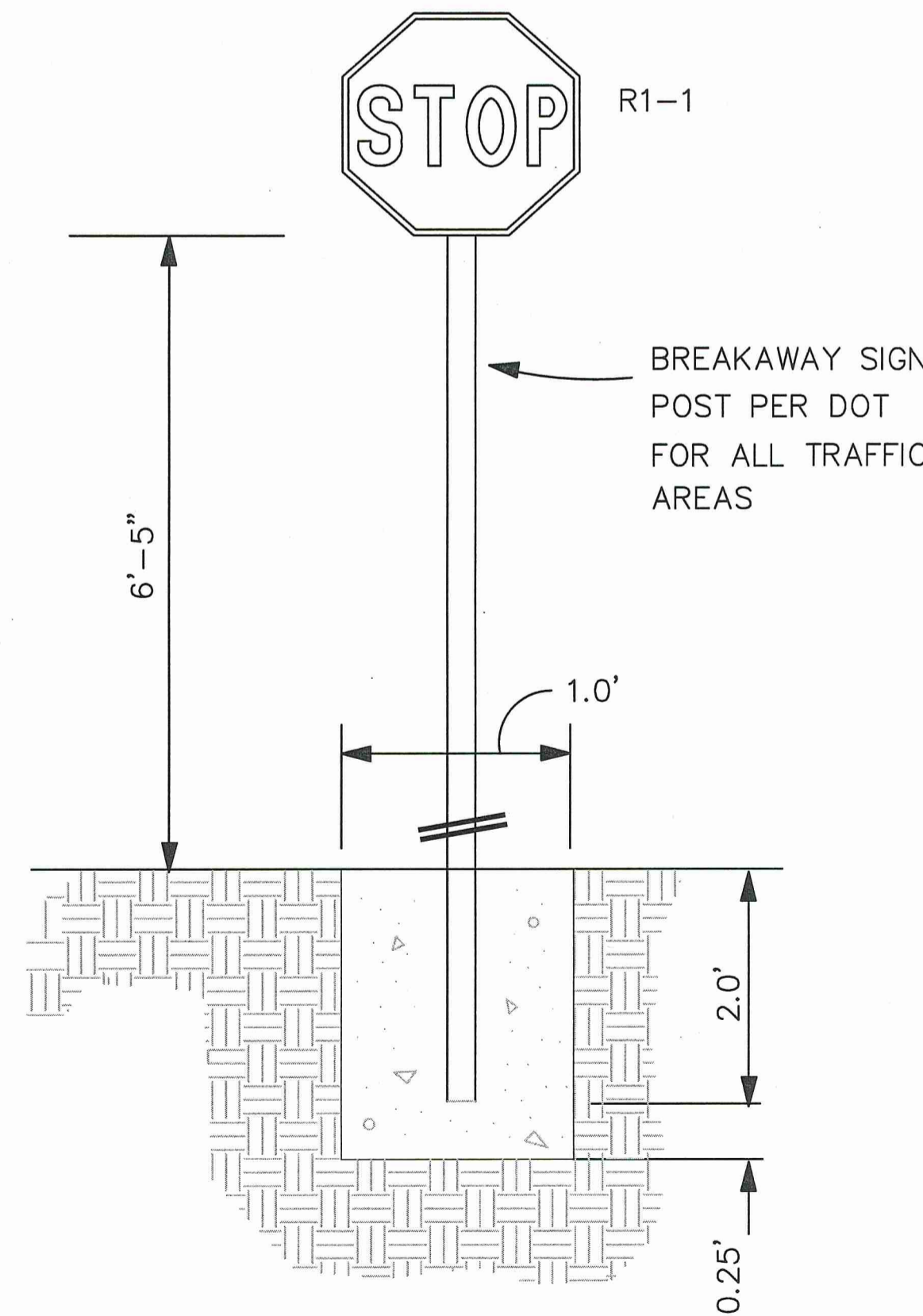


DIRECTIONAL "TURN" ARROW DETAIL
 N.T.S. CS16



DIRECTIONAL ARROW DETAIL
 N.T.S. CS09

ALL ONSITE DIRECTIONAL ARROWS SHOWN ON THE SITE PLAN ARE SOLELY FOR THE PURPOSE OF ILLUSTRATING THE PROPOSED TRAFFIC CIRCULATION PATTERNS. THE LOVE'S CONSTRUCTION DEPARTMENT WILL INDICATE TO THE CONTRACTOR WHERE TO STIPE EACH AND ALL DIRECTIONAL TRAFFIC ARROWS IN THE FIELD.



STOP SIGN
 N.T.S. CS44



THIS DRAWING IS NOT VALID WITHOUT AN ORIGINAL BLUE INK SIGNATURE AND ORIGINAL HANDWRITTEN DATE OF A LICENSED PROFESSIONAL ENGINEER.

SITE DETAILS