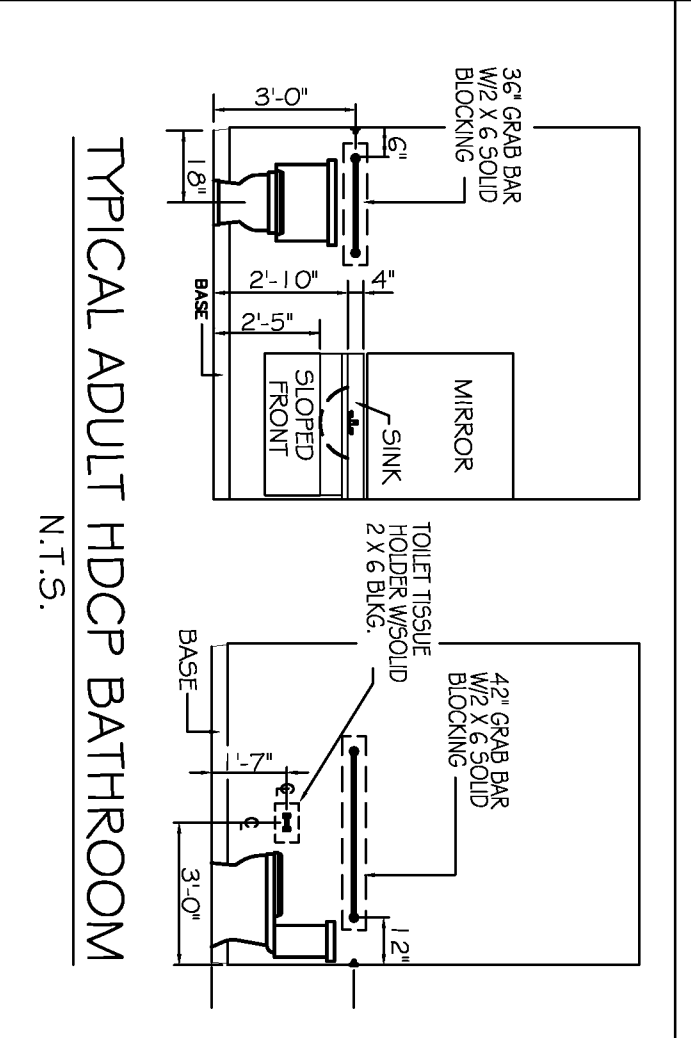
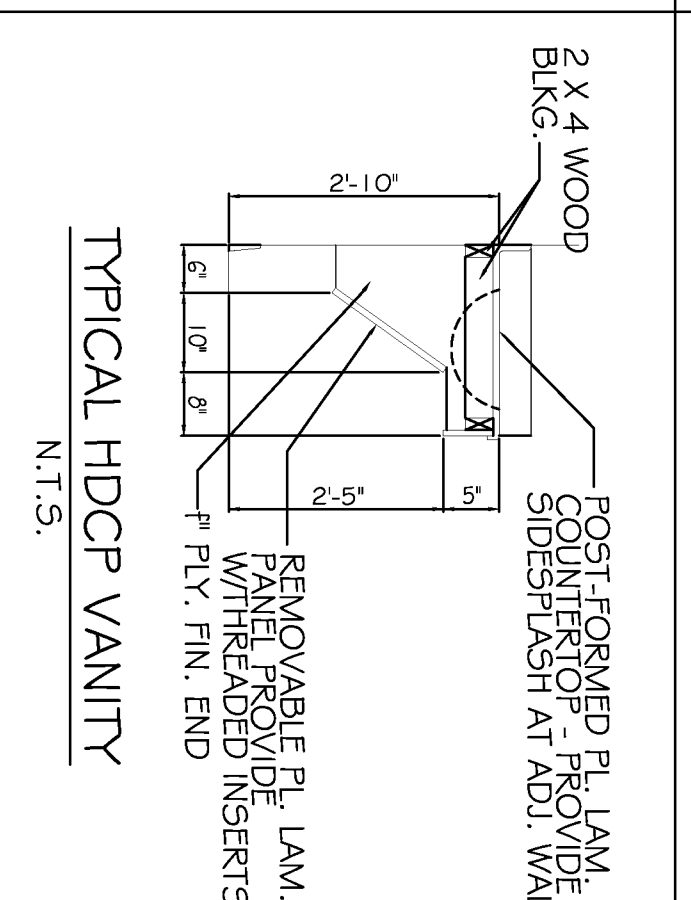
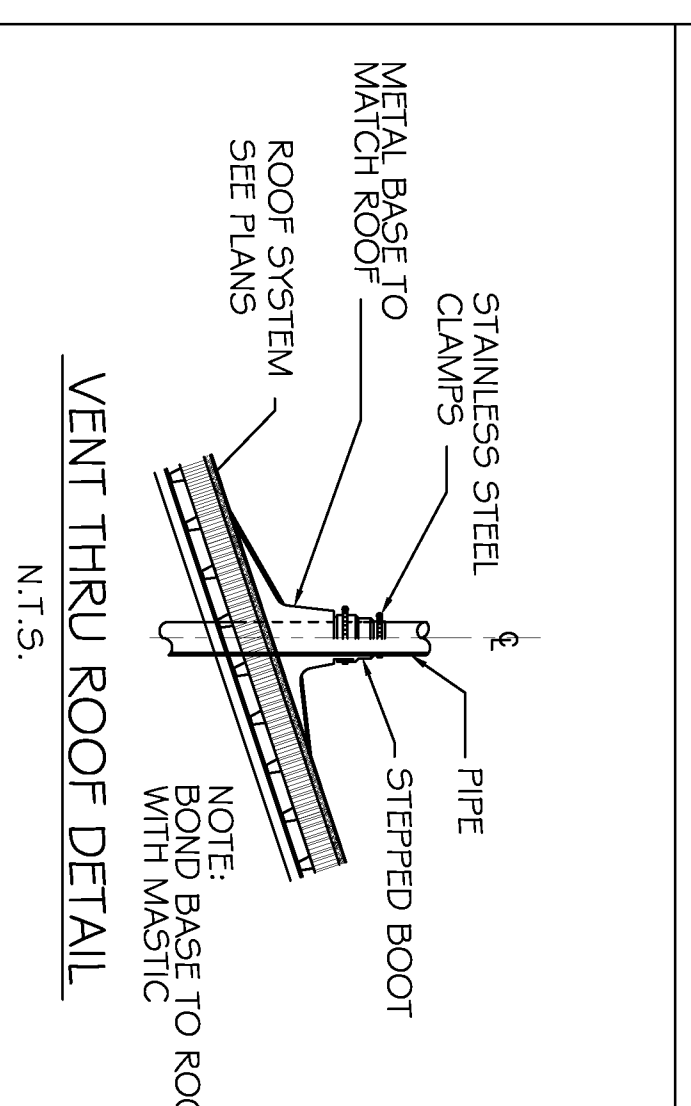
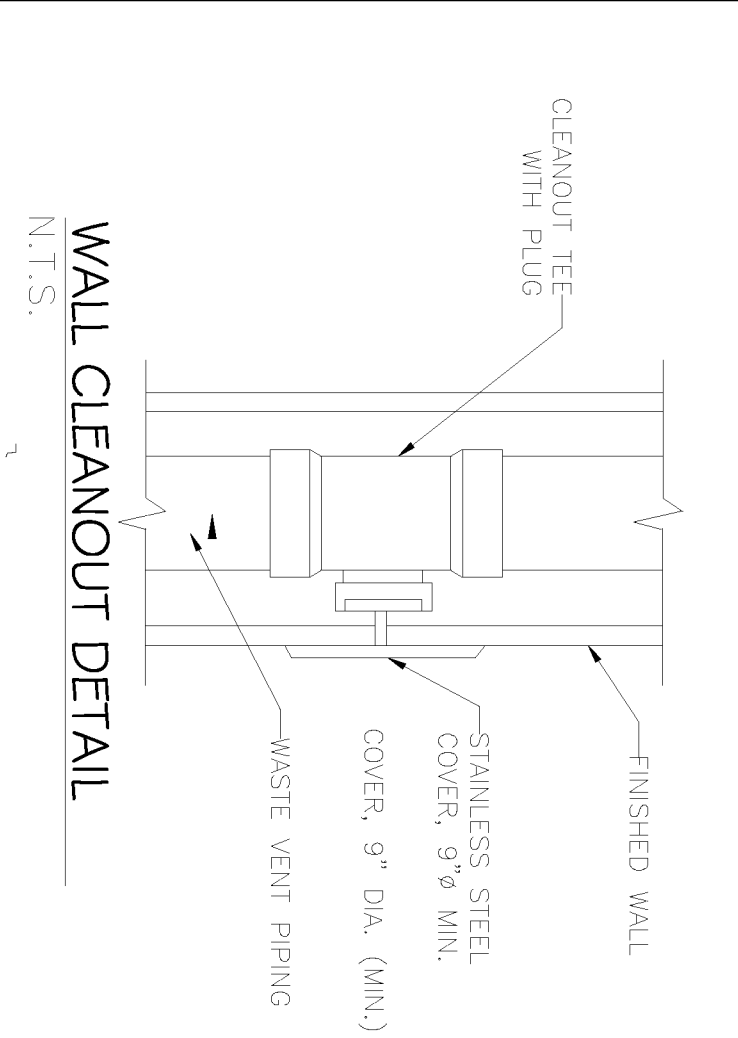
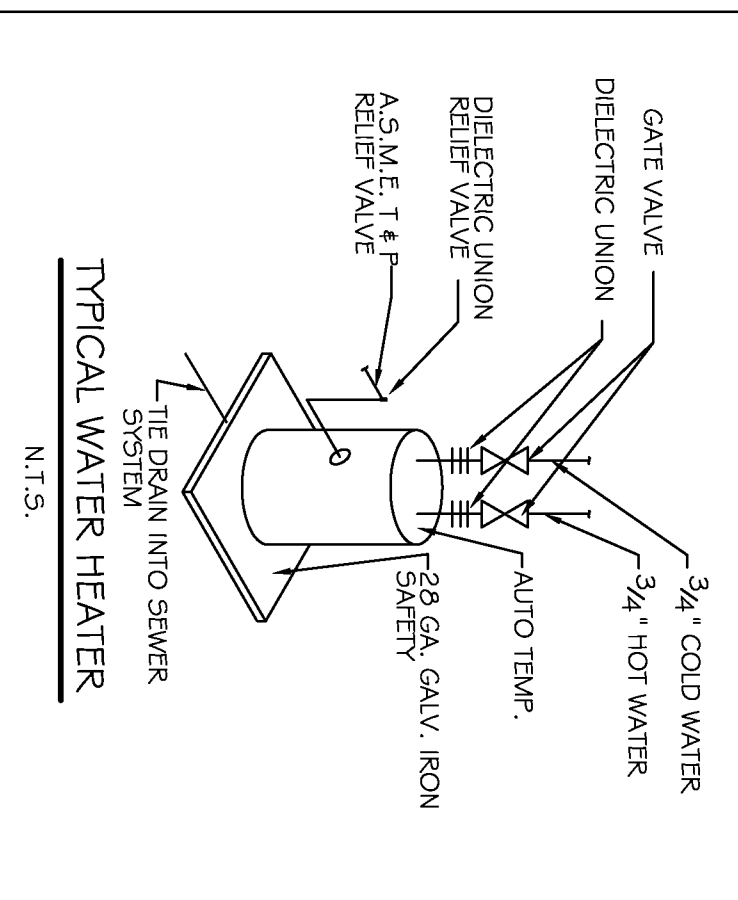
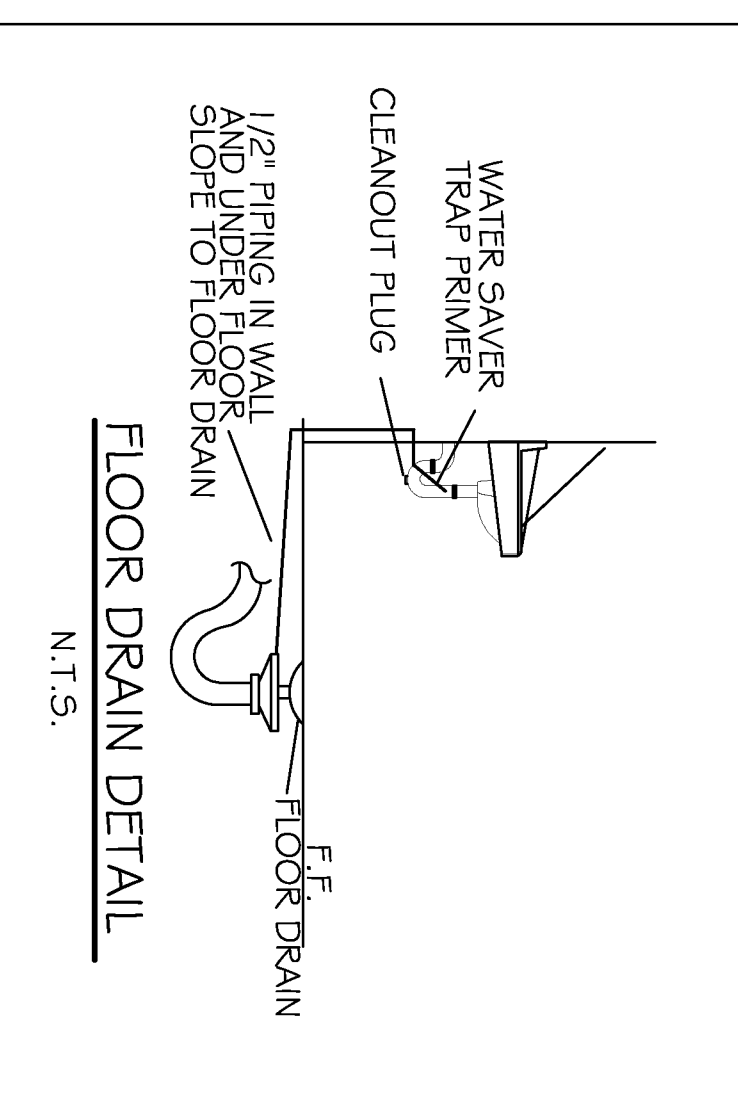
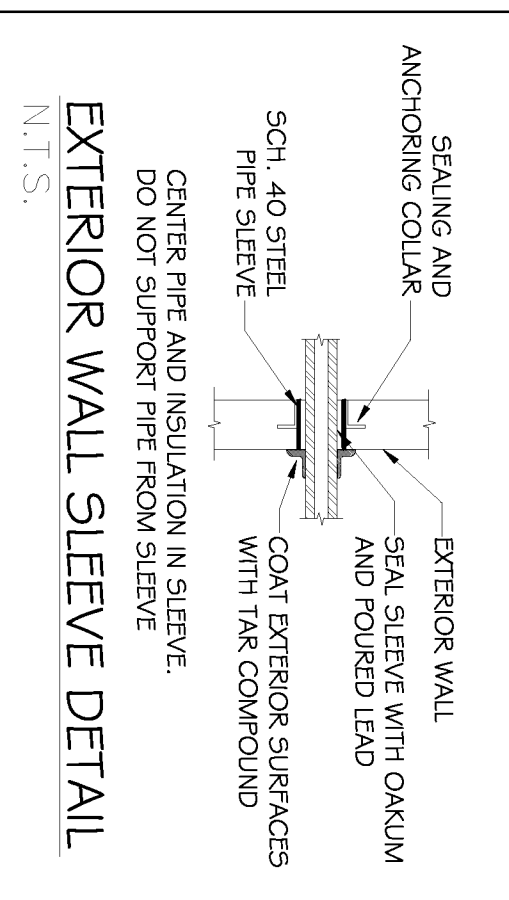
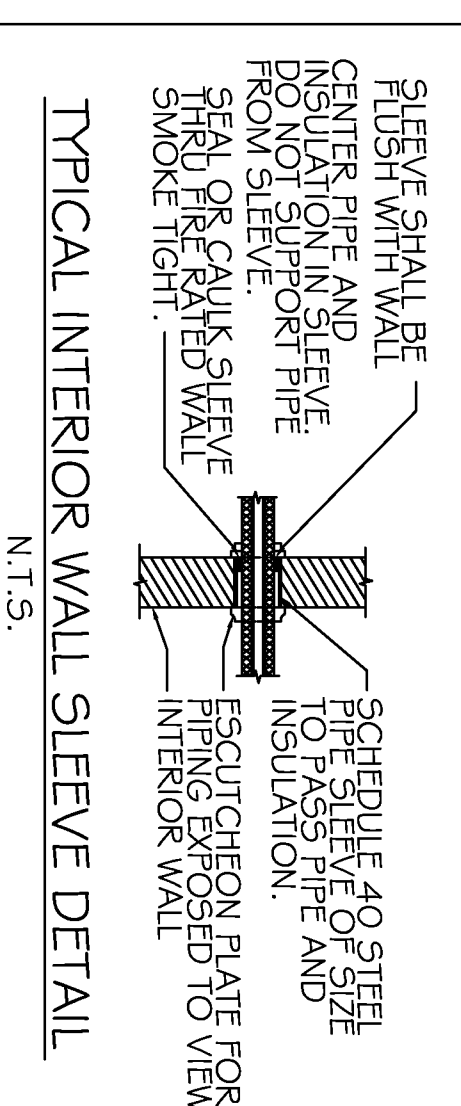
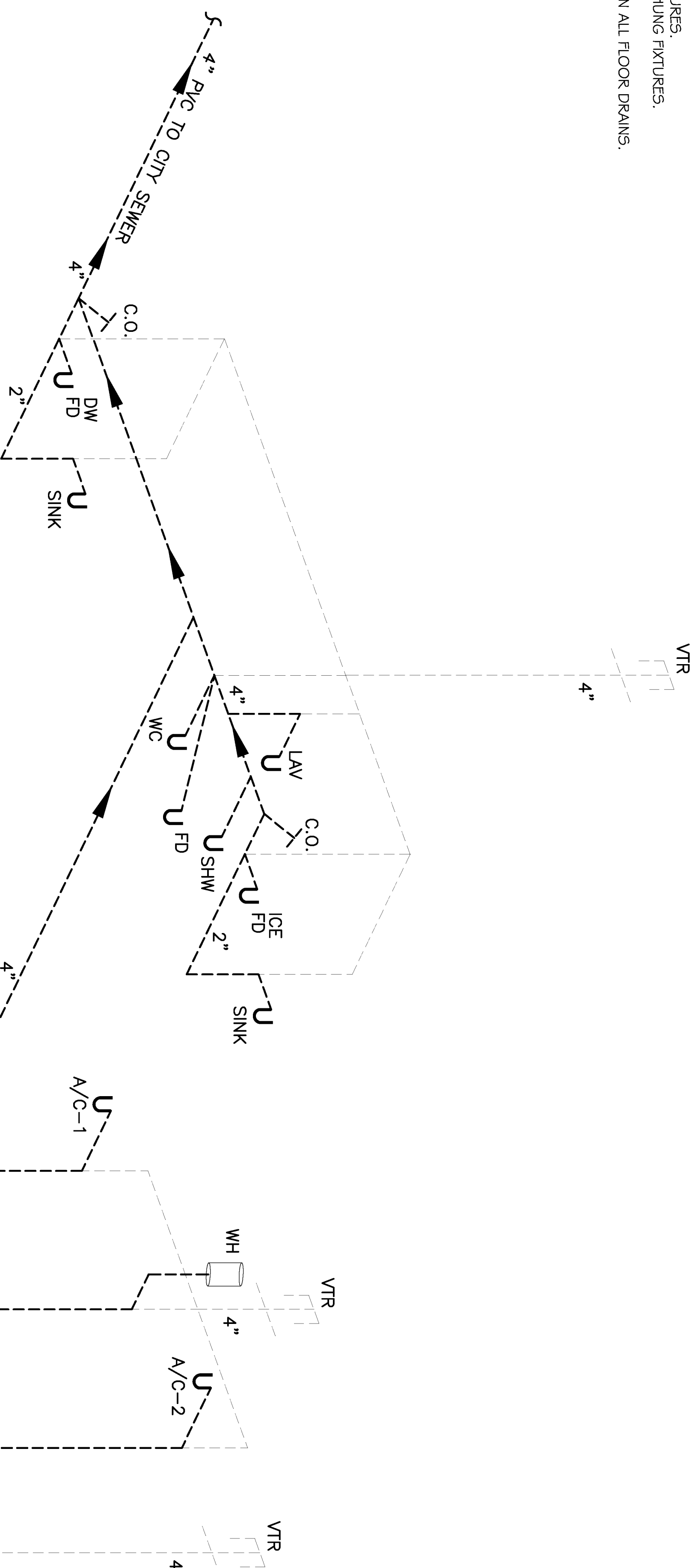
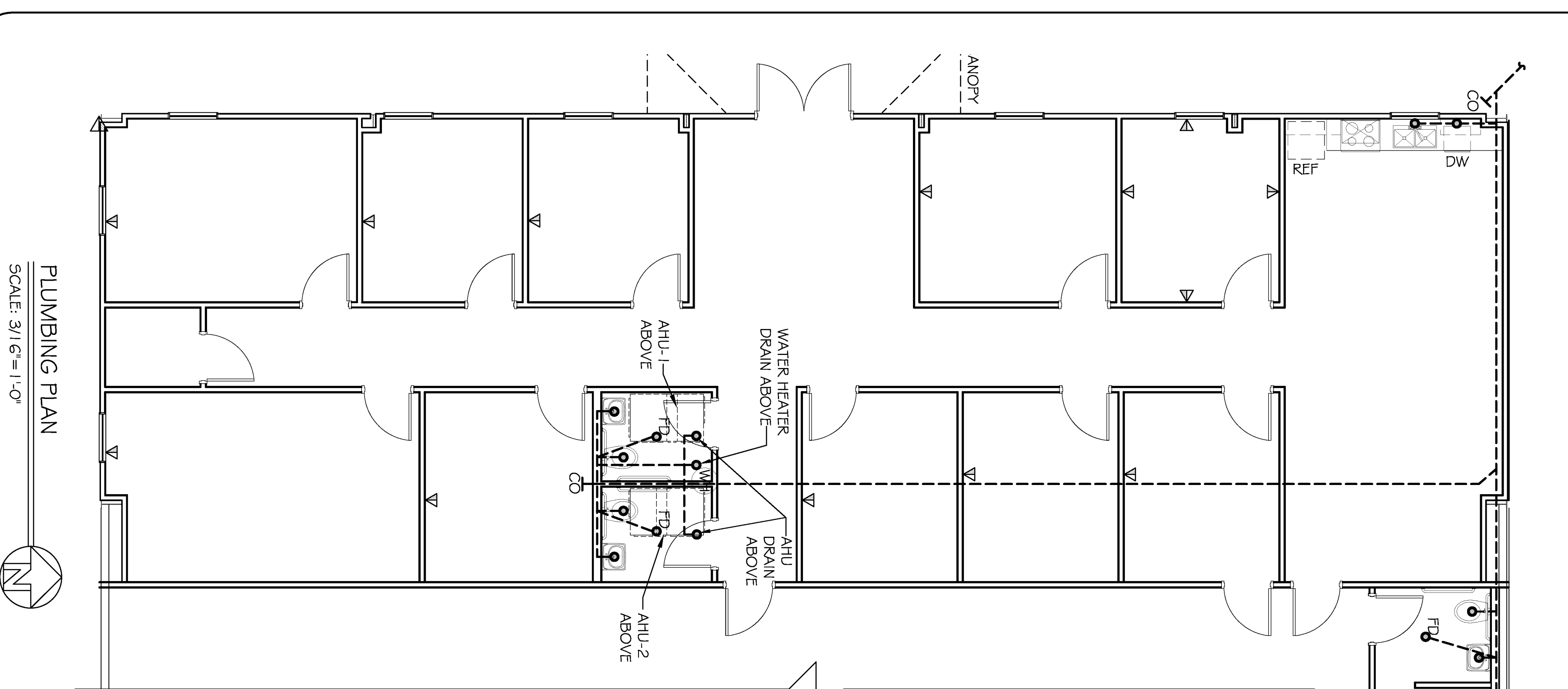


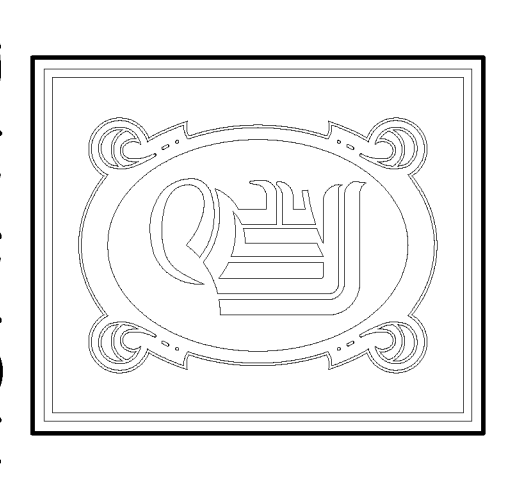
PLUMBING FIXTURE SCHEDULE				
MARK	DESCRIPTION	TYPE	ROUGH IN SIZES	NOTES
WC	H.C. WATER CLOSET	VALVE	4" 4" 4"	3
LAV	H.C. LAVATORY	WALL HUNG	2" 1/2" 1/2"	1, 2, 3
FD	FLOOR DRAIN	-	2" 2" 3/4"	4
WH	WATER HEATER DRAIN	-	2" 2" 3/4"	-
AHU	AHU DRAIN	-	2" 1/2" 1/2"	-
A/C	AHU DRAIN	-	2" 1/2" 1/2"	-
SINK	SINK DRAIN	-	2" 1/2" 1/2"	-

- FIGURE NOTES:
1. INSULATE PIPING FOR HANDICAP FIXTURES.
  2. PROVIDE CHAIR CARRIER FOR WALL HUNG FIXTURES.
  3. H.C. - HANDICAP FIXTURE
  4. INSTALL CONTINUOUS DRIP VALVE ON ALL FLOOR DRAINS.
  5. FIXTURES SELECTED BY OWNER.



**PLUMBING NOTES**

1. PROVIDE ALL LABOR, MATERIAL AND EQUIPMENT FOR A COMPLETE OPERATING SYSTEM. THE SYSTEM SHALL INCLUDE HOT AND COLD WATER PIPING, SEWER AND VENT PIPING, INSULATION, WATER HEATER, HANGERS, VALVES, SUPPORTS WITHOUT ANY RESTRICTIONS TO COLUMN, CUT AND PATCH AS REQUIRED TO INSTALL PIPES.
2. ALL WORK AND MATERIAL SHALL CONFORM STRICTLY TO THE LATEST LOCAL, CITY, PARISH, STATE AND NATIONAL GOVERNING CODES. CONTRACTOR IS TO FIELD VERIFY ALL EXISTING UTILITY LOCATIONS, ELEVATIONS AND SIZES PRIOR TO COMMENCING ANY WORK. CONTRACTOR SHALL PAY NECESSARY FEES FOR THE UTILITIES CONNECTIONS.
3. CONTRACTOR IS RESPONSIBLE TO VERIFY THE EXISTING INVERTS AND SET NEW INVERTS OF SEWERAGE AND DRAINAGE PIPES.
4. SEWERAGE LINES 3-INCH AND SMALLER SHALL BE SLOPED 1/4" PER FOOT AND LINE 4-INCH AND LARGER SHALL BE 1/8" PER FOOT.
5. TEST ALL PIPING AT REQUIRED PRESSURE.
6. ALL PLUMBING SHALL BE CLOSELY COORDINATED WITH STRUCTURAL TRADES WILL CONFLICT WITH EACH OTHER.
7. DO NOT SCALE DRAWINGS. SEE ARCHITECTURAL DRAWINGS FOR EXACT LOCATIONS OF DOORS, WINDOWS, WALLS, FIXTURES, ETC.
8. ALL WATER MAINS AND PIPING NOT SHOWN FOR CLARITY. ALL LOCATIONS FIELD VERIFIED.
9. DOMESTIC HOT AND COLD WATER PIPING AND FITTINGS UNDER SLAB SHALL BE ASTM B88 COPPER WATER TUBE, TYPE K SOFT ANNEALED. NO JOINTS SHALL BE ALLOWED UNDER THE SLAB.
10. DOMESTIC WATER PIPING AND FITTINGS ABOVE THE SLAB SHALL BE ASTM B88 COPPER WATER TUBE, TYPE L, HARD DRAWN WITH COPPER PRESSURE-TYPE FITTINGS, ANSI B 16.22. THE JOINTS SHALL BE SOLDERED TYING USING ASTM B32, ALLOY GRADE 95A (95-5) SOLDER.
11. SOIL, WASTE, VENT PIPING AND FITTINGS ABOVE THE SLAB SHALL BE SERVICE WEIGHT CAST IRON PIPE WITH BELL AND SPOGOT ENDS AND ONE PIECE NEOPRENE INSERT TYPE GASKET. USE PVC SCHEDULE 40 OR A85 DWV PIPES AND FITTINGS WHERE PERMITTED BY CODE.
12. ALL WATER PIPING AND FITTINGS ABOVE THE FLOOR SHALL BE INSULATED WITH 1/2" THICK FIBERGLASS INSULATION AND JACKET.
13. ALL ELECTRICAL, MECHANICAL AND PLUMBING PENETRATING FIRE RATED CONSTRUCTION SHALL BE SEALED WITH A MATERIAL CAPABLE OF PREVENTING THE PASSAGE OF FLAMES AND HOT GASES WHEN TESTED IN ACCORDANCE WITH ASTM E914.
14. ALL PLUMBING LINES SHOWN ARE DIAGNOSTIC.



**DAMMON ENGINEERING, INC.**

CHIEF ENGINEER  
EMMETT DAMMON, P.E.

CHIEF ARCHITECT  
ROBERT ROBERT WILTSE

554 OLD SPANISH TRAIL  
SLIDELL, LA. 70458  
OFFICE: 985-649-5832  
FAX: 985-641-15950

WEBSITE:  
WWW.DAMMONENGINEERING.COM

EMAIL:  
DAMMONENG@BELLSOUTH.NET

ARCHITECTURE  
ENGINEERING  
STUDIES  
PLANNING  
INVESTIGATION  
EXPERT WITNESS

NEW OFFICE WAREHOUSE

BINGO SUPPLY  
9000 SQ.FT.  
OFFICE / WAREHOUSE  
SLIDELL, LA

PLUMBING PLAN, RISER, NOTES, & DETAILS

SCALE: AS NOTED  
JOB#: 2113  
DATE: 06-01-11

SHEET 18  
**P-1**