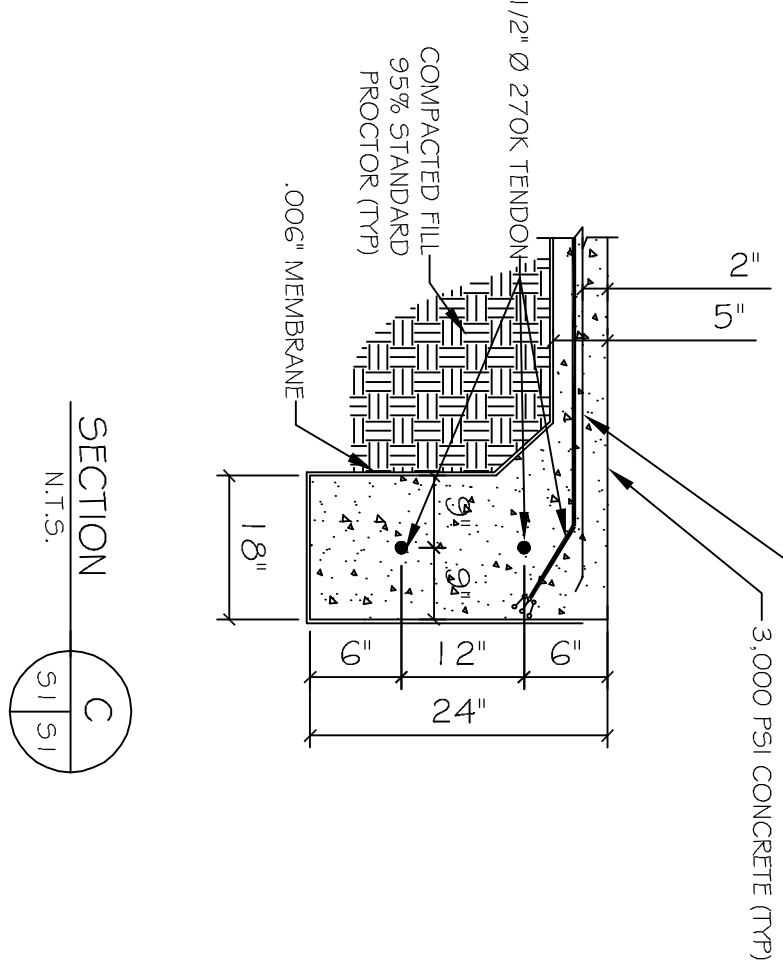
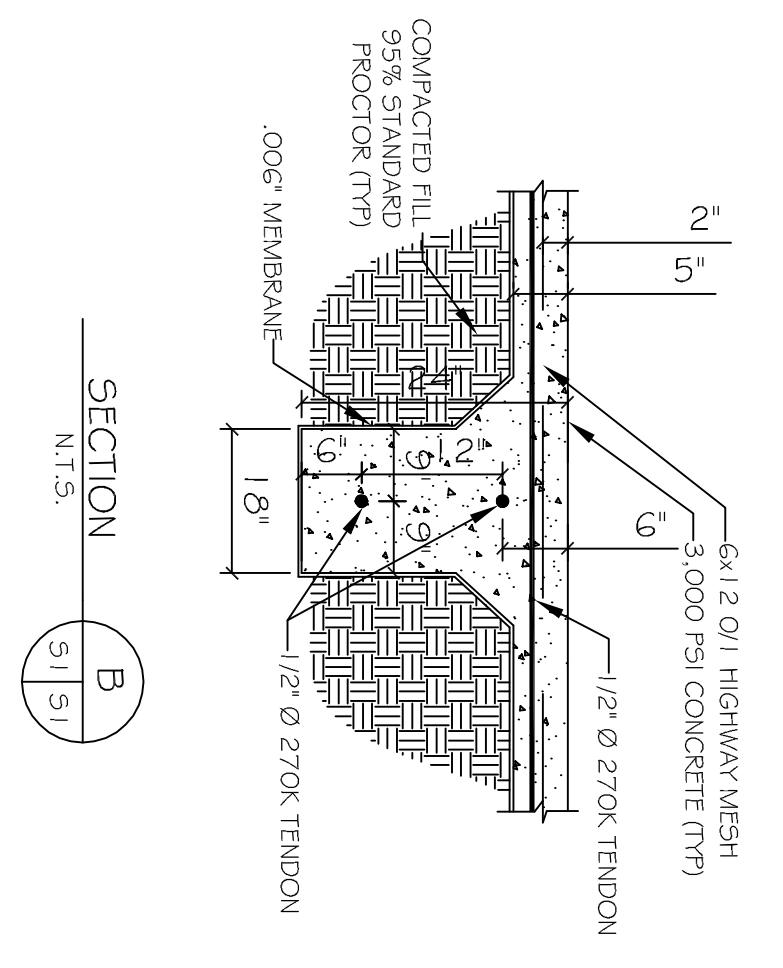
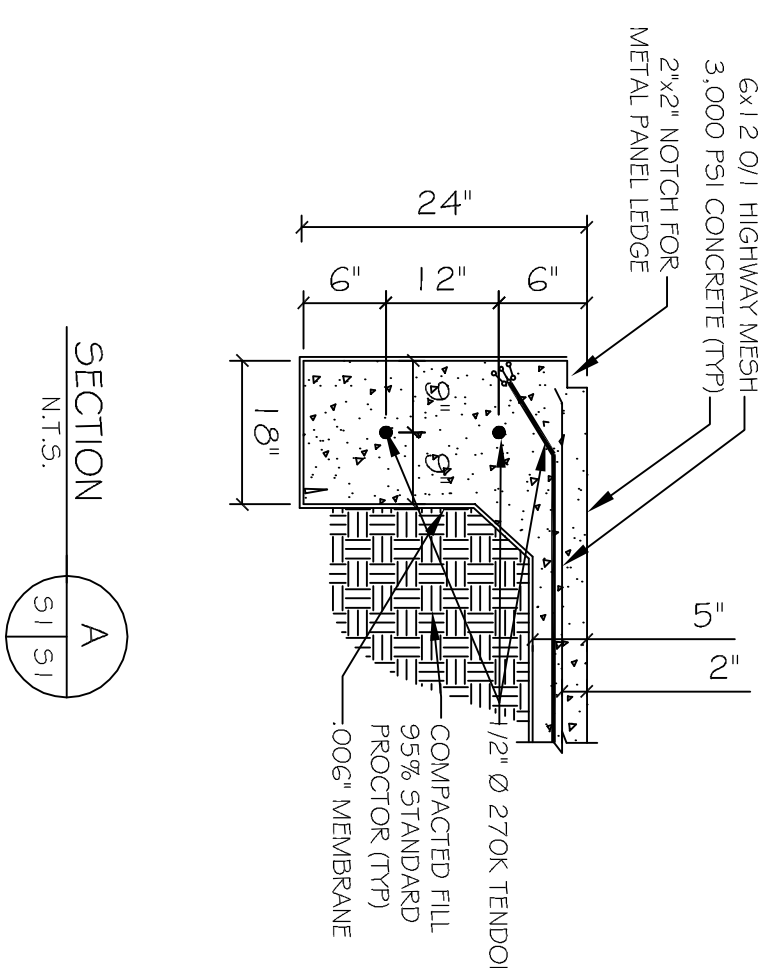
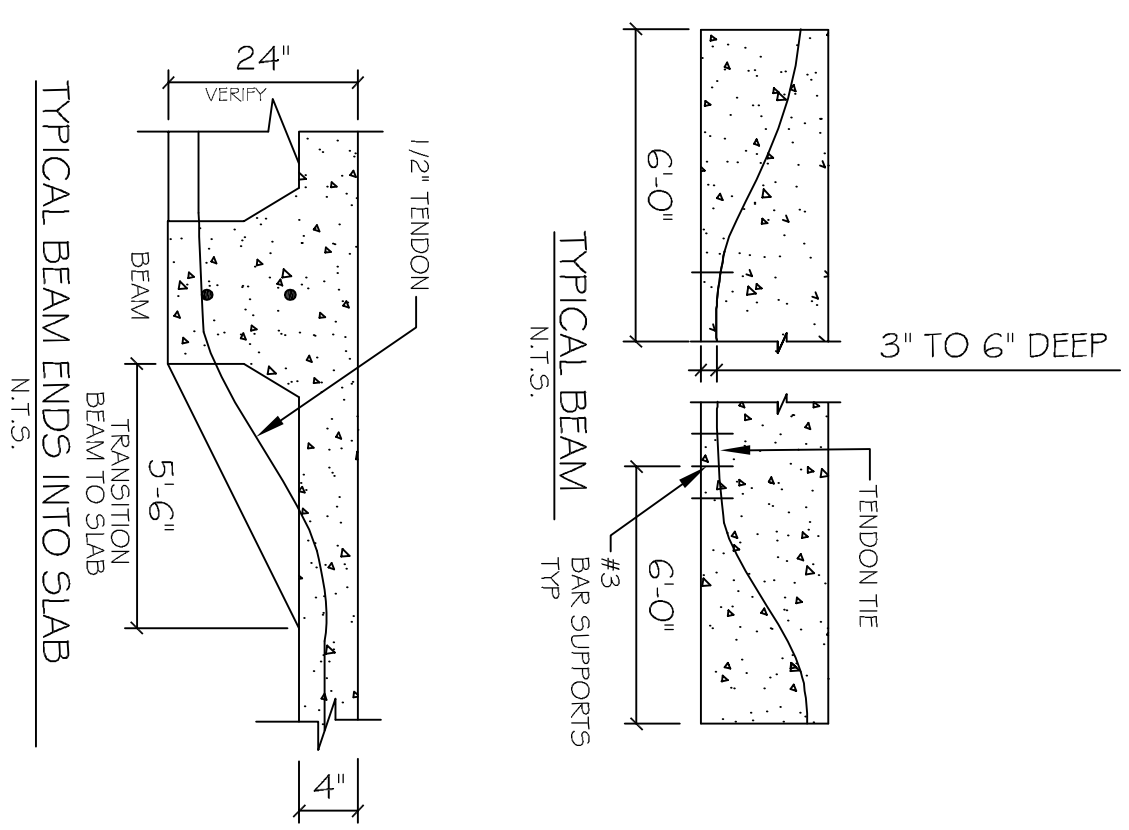


FOUNDATION PLAN  
SCALE: 3/16" = 1'



REINFORCING STEEL HAIRPIN, ASTM  
615, GRADE 60, PER BLDG. MFR.

- SITE PREP NOTES:**
- REMOVE EXISTING NEAR SURFACE LOOSE FAN SAND AND MEDIUM STIFF SILTY CLAYS THAT EXTEND TO A DEPTH OF 1 TO 1 1/2 FT. TO EXPOSE EXISTING STIFF AND VERY STIFF CLAYS. UNDER ALL NEW CONSTRUCTION AND PAVING, PROOF-ROLL AND REMOVE ANY SOFT, YIELDING OR PLUMPING SPOTS.
  - MINOR SOFT SPOTS ARE TO BE SETTER IN THE REAR. ALL CONTACT BEHIND WELLS TO BE SETTER IN THE REAR. TO PROVIDE AN ALLOWABLE SOIL BEARING VALUE OF 1,200 LBS. PER SQ. FT.
  - PROVIDE AND MAINTAIN IMMEDIATE SITE DRAINAGE BEFORE, DURING AND AFTER CONSTRUCTION. PROVIDE GRADING, SWALES AND SUMPS AS NECESSARY TO MAINTAIN DRAINAGE.
  - ALL EXCAVATED MATERIAL SHOULD BE REPLACED WITH CONTROLLED-COMPACTED STRUCTURAL FILL INSTALLED IN 6\"/>



- FOUNDATION GENERAL NOTES:**
- THE INTENT OF THIS PLAN IS TO PROVIDE INFORMATION FOR PLACEMENT OF POST TENSIONING SYSTEM TENDONS AND (WHERE SHOWN) PIPINGS. ONLY. IT IS THE RESPONSIBILITY OF THE GENERAL CONTRACTOR TO VERIFY ALL DIMENSIONS, BRICK ADJUSTMENTS, ETC., SHOWN ON THESE PLANS. TO ASSURE ACCURATE LOCATION AND NUMBER OF TILES SHALL NOT BE CHANGED WITHOUT APPROVAL OF THE ENGINEER. EXCEPT THAT BEAM DEPTH MAY BE EXTENDED TO REACH UNDISTURBED SOIL. SPECIAL LOADS NOT INDICATED ON DRAWING, I.E., BRICK FIREPLACES, AND OR CHIMNEYS, HOT TUBS ETC., REQUIRE ADDITIONAL REINFORCEMENT.
  - AS A MINIMUM, INSTALLATION OF RIGID FLOOR TILES, BRICK, ETC. SHALL BE OVER AN ELASTIC BOND BREAKER. ANY CRACKS IN CONCRETE FLOOR SHALL BE TREATED PRIOR TO INSTALLATION OF TILES. ELASTOMERIC ADHESIVE IS RECOMMENDED FOR FLOOR TILES WHERE DIRECTATIVE CONCRETE IS USED. ADDITIONAL WHERE ADDITIONAL REINFORCEMENT WITH REBAR IS USED IN FOOTINGS, IT SHALL CONFORM TO ASTM A615. WOVEN WIRE FABRICS SHALL CONFORM TO ASTM A185.
  - TENDONS AND BARS SHALL BE SECURELY SUPPORTED TO BE PREVENT BOTH VERTICAL AND HORIZONTAL MOVEMENT DURING PLACING OF CONCRETE. EQUIPMENT CLEARANCE ON TENDON AND BY 36\"/>

#	DESCRIPTION	DATE

**RAY HORVATH**  
FLOORWORKS AND BLINDS  
RETAIL  
1360 SHORTCUT ROAD  
SLIDELL, LA 70455

JOB No: 2152      DATE: 11-14-12  
DRAWN BY: JTL      CHECKED BY:

CHIEF ENGINEER, EMMETT DAMMON, P.E.  
CHIEF ARCHITECT, ROBERT WILTSE  
554 OLD SPANISH TRAIL  
SLIDELL, LA 70456

dammoneingneersna.com  
dammoneing@bellsouth.net  
PHONE: 985-649-5832  
FAX: 985-641-5950