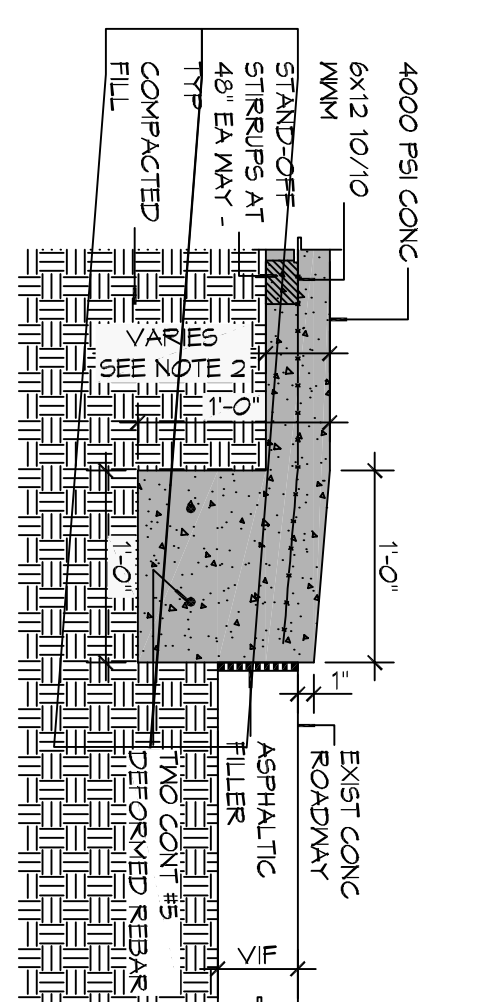
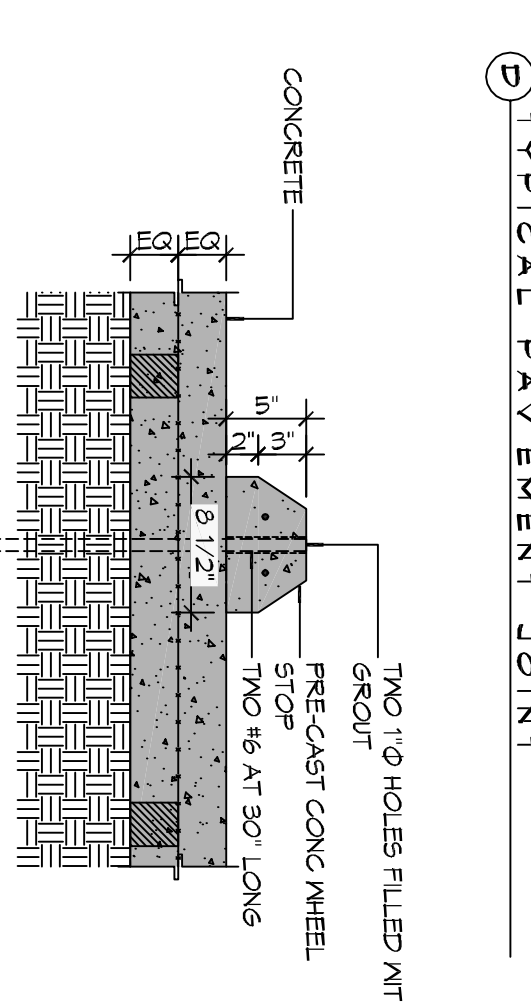
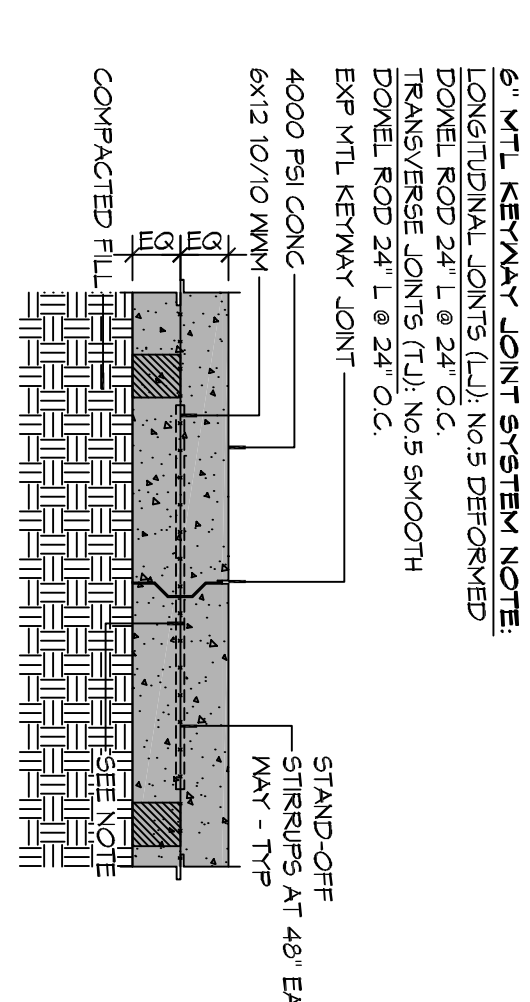
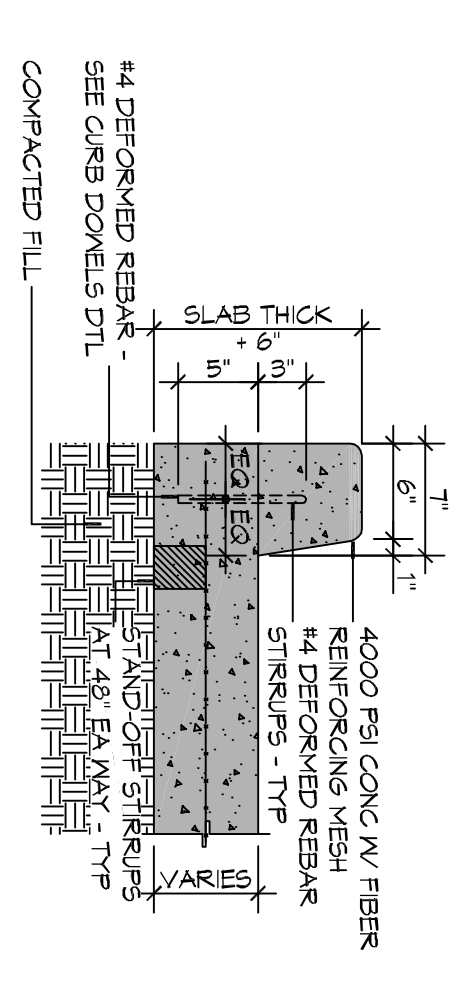
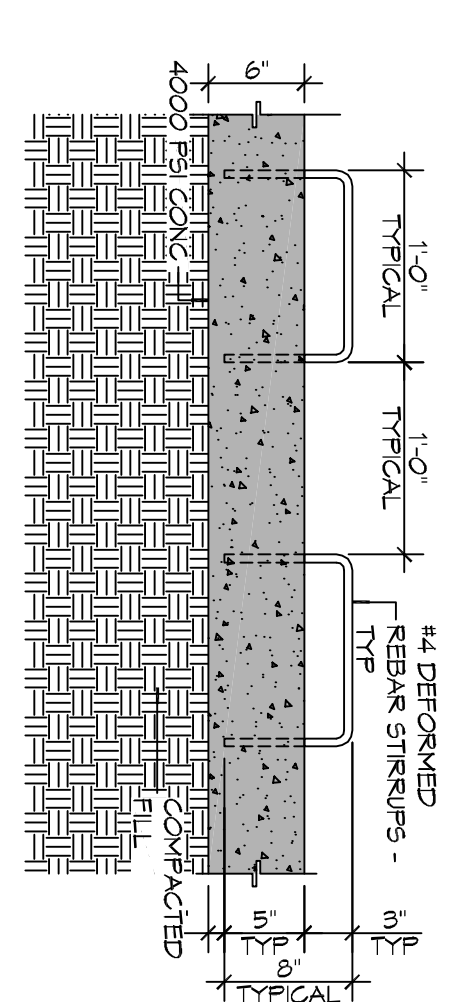


7 SITE PAVING PLAN
SCALE: 1" = 10'-0"

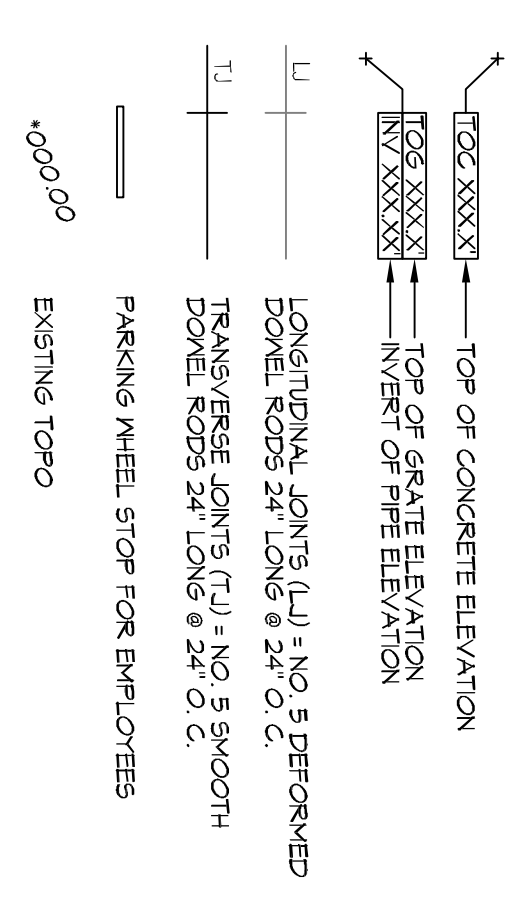


8 PAVING DETAILS
SCALE: 1" = 1'-0"

GENERAL PAVING NOTES

1. ALL NEW CONCRETE SHALL HAVE A MINIMUM COMPRESSIVE STRENGTH OF 4000 PSI. CONCRETE MIX SHALL BE IN ACCORDANCE WITH THE LATEST REVISION OF ASTM C-150 TYPE I.
2. CONCRETE PAVING THICKNESS SHALL VARY AS FOLLOWS:
3. DRIVE LANE & PARKING AREAS - 6" THICKNESS (STANDARD UNO)
4. ALL REINFORCING STEEL SHALL MEET ASTM-A615 (GRADE 60).
5. ALL REINFORCING STEEL SHALL BE SECURELY SUPPORTED TO PREVENT BOTH VERTICAL AND HORIZONTAL MOVEMENT DURING CONCRETE PLACEMENT. ALL JOINTS AND EXPANSION JOINTS SHALL BE LOCATED WITH THE MANUFACTURER'S RECOMMENDATIONS.
6. ALL SUB GRADE FILL SHALL BE SET OUT PER ANNUAL MATERIAL LEFTS.
7. ANY WORK WITHIN THE ROADWAY OR ADJACENT TO THE ROADWAY CAUSING AN INTERFERENCE TO VEHICULAR TRAFFIC MUST CONFORM TO THE REQUIREMENTS SET FORTH BY THE UNIFORM MANUAL OF TRAFFIC CONTROL DEVICES OF THE STATE OF LOUISIANA. THE CONTRACTOR MUST FURNISH ALL NECESSARY TRAFFIC SIGNS AND/OR BARRICADES AND MAINTAIN THEM DURING CONSTRUCTION ACTIVITY.

PAVING LEGEND



REVISIONS		DATE
#	DESCRIPTION	

NEW OFFICE WAREHOUSE
NEIGLER TREE & TIMBER, CO.

LA. HWY 1095 DEER CROSS DRIVE
MADISONVILLE, LA 70447

JOB No: 2383 DATE: 7-25-2019
DRAWN BY: CKD CHECKED BY: BAM

SEAL: _____

DRAWING NUMBER: **C101**

SHEET NO: 2 OF 1

DAMMON ENGINEERING, INC.
LOUISIANA & MISSISSIPPI

Chief Engineer: Brian Mitchell, PE
554 Old Spanish Trail
Slidell, LA 70458

www.dammonengineering.com
info@dammonengineering.com
PH: 985.649.5832