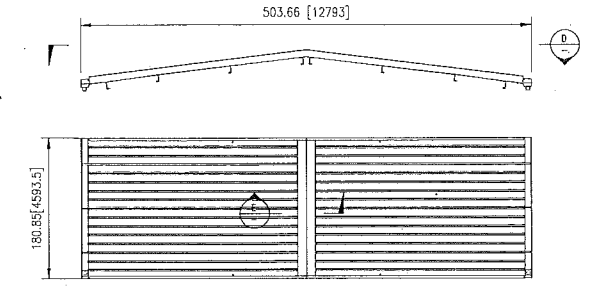
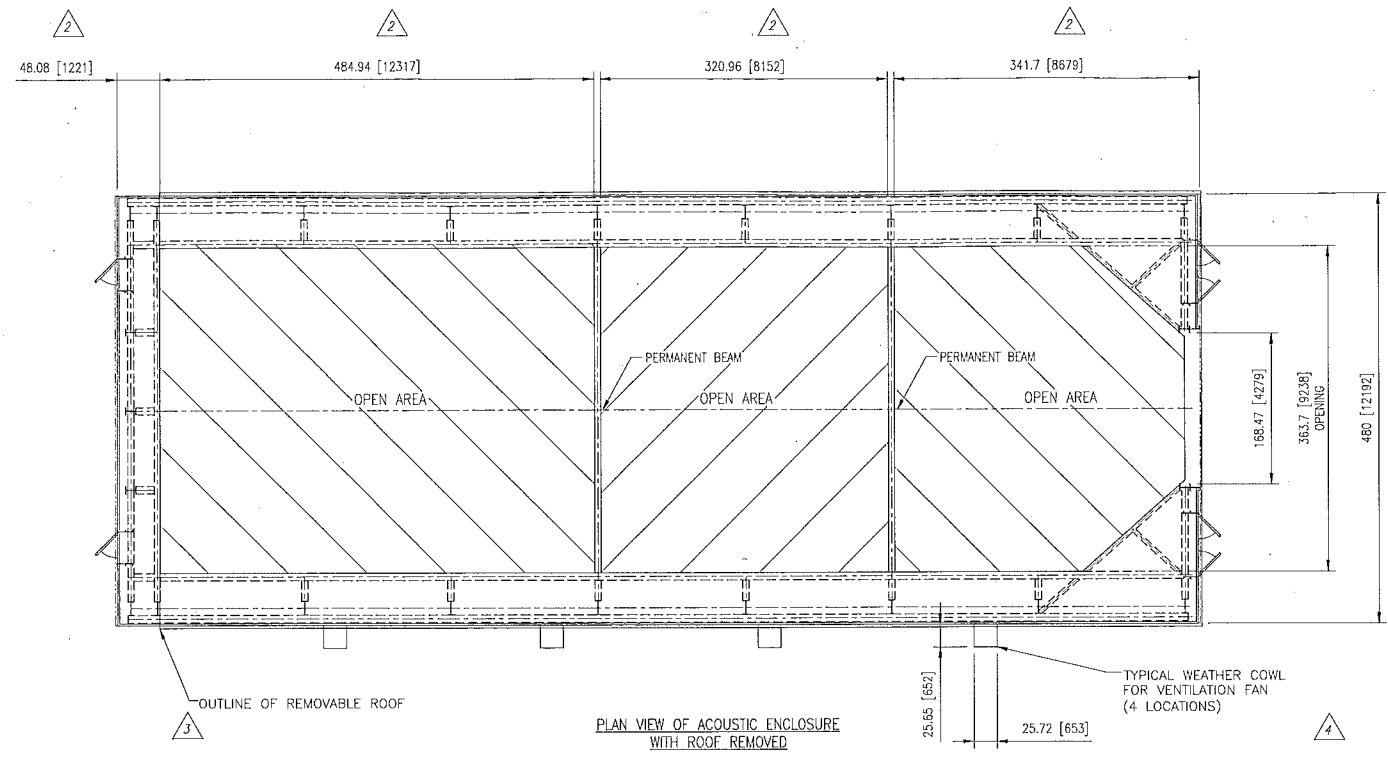
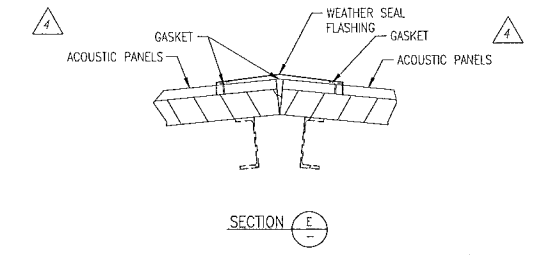


NOT TO BE SCALED IF IN DOUBT ASK

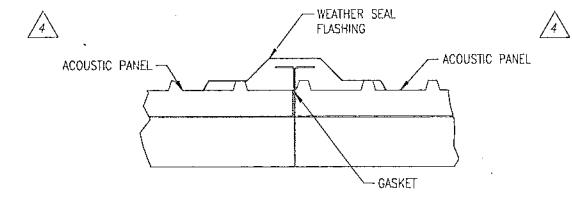
REV	REVISION	REV	REVISION	REV	REVISION	REV	REVISION	REV	REVISION	REV	REVISION		
7	ISO VIEW OF TEMPORARY COVER PLATE ADDED TO SHEET 2.	6	GASKET AND ANGLE REMOVED AND 450mm DIA DEK-TITE SEAL REPLACED WITH 650mm DIA ON ENCLOSURE ROOF VENTILATION DUCT DETAIL.	5	REVISED AT CLIENTS REQUEST	4	NOTES UPDATED, DIMENSIONS & TITLES ADDED. SETTING OUT PROVIDED FOR DOWN PIPES AS PER CLIENTS REQUEST. SILENCER LOCATIONS UPDATED.	3	DIMENSIONS AND NOTES ADDED INLET SILENCER DETAILS ADDED TO SHEET 2 AS PER CLIENT COPIES	2	ROOF PANELS AND DIMENSION CHANGES	1	FIRST ISSUE
DRN	RA CKD S.B APVD S.B DATE 13.02.13	DRN	ARH CKD SB APVD SB DATE 29.01.13	DRN	ARH CKD SB APVD SB DATE 15.01.13	DRN	RA CKD SB APVD SB DATE 14.01.13	DRN	ARH CKD SB APVD SB DATE 16.10.12	DRN	ARH CKD SB APVD SB DATE 08.10.12	DRN	S.B CKD RA APVD J.K DATE 20.08.12
												8	SEE SHEET 1 PLANT NORTH SYMBOL MOVED TO SUIT CLIENTS REQUEST
DRN	RA CKD S.B APVD S.J DATE 09.05.13												



DETAIL D
TYPICAL DETAILS OF ROOF PANELS

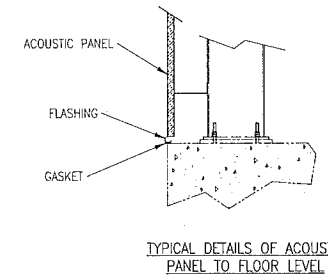
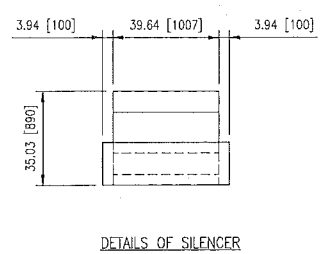
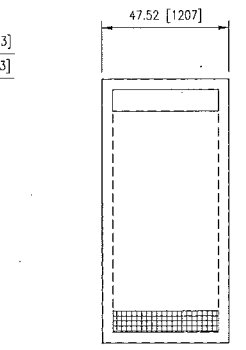
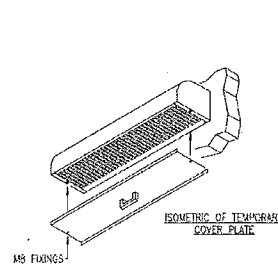
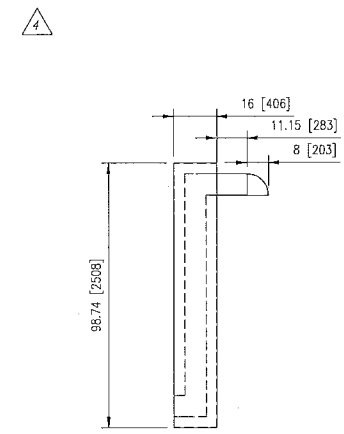


SECTION E
TYPICAL JOINT BETWEEN TWO PANELS

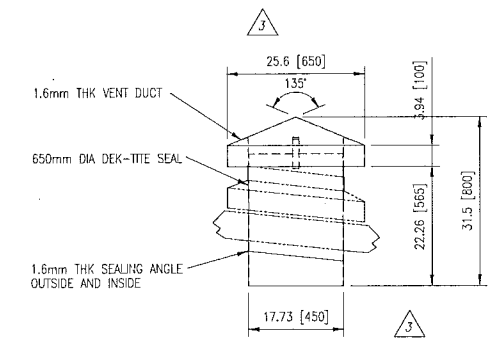


TYPICAL JOINT BETWEEN TWO PANELS

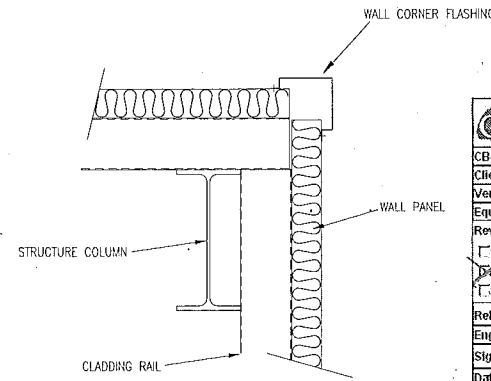
NOTE
ALL DIMENSIONS IN INCHES - [MILLIMETRES]



TYPICAL DETAILS OF ACOUSTIC PANEL TO FLOOR LEVEL



ENCLOSURE ROOF VENTILATION DUCT DETAIL



TYP CORNER PANEL CONNECTIONS

	Project: Minemile Unit 6
CB&I #: 143209-P610-01-00224 Issue: F	Job No.: 143209
Client #:	
Vendor #: G800208120 - SHEET 2 OF 2	
Equipment Tag No.:	SORVD Number: NPV
Review Status:	
<input type="checkbox"/> For Information	<input type="checkbox"/> Accepted as Noted (Do Not Resubmit)
<input checked="" type="checkbox"/> Accepted	<input type="checkbox"/> Accepted as Certified
<input type="checkbox"/> Accepted as Noted (Resubmit)	<input type="checkbox"/> Revise & Resubmit
Released For: <input type="checkbox"/> Design <input type="checkbox"/> Material Procurement <input checked="" type="checkbox"/> Fabrication <input type="checkbox"/> Construction	
Eng Review Due Date: 5/30/2013 2:30:23 PM	
Signed By: <i>[Signature]</i>	Beatty, Ken
Date: 3/14/13	
THE ACCEPTANCE OF THIS DATA DOES NOT RELIEVE THE (SUB)CONTRACTOR OR SUPPLIER FROM THE OBLIGATION IMPOSED BY THE PURCHASE ORDER (PO) OR (SUB) CONTRACT	

Dammon Engineering, Inc.
554 Old Spanish Trail
Slidell, LA 70458

NOTICE: THIS DRAWING IS THE PROPERTY OF AAF LTD AND IS LOANED SUBJECT TO THE CONDITION THAT IT SHALL NOT BE COPIED, LOANED OR SUBMITTED TO OUTSIDE PARTIES FOR EXAMINATION WITHOUT WRITTEN CONSENT	
FIRST ANGLE PROJECTION 	TITLE ARRANGEMENT OF STG ACOUSTIC ENCLOSURE
TOLERANCES UNLESS OTHERWISE STATED PART AND FABRICATION TOLERANCES TO BE IN ACCORDANCE WITH AAF-LTD'S STANDARD ENGR0030	TOSHIBA INTERNATIONAL (EUROPE) Ltd Ninemile USA
WEIGHTS STATED ON THIS DRAWING ARE FOR AAF-LTD GUIDANCE AND DO NOT FORM THE BASIS OF A CONTRACT BETWEEN AAF-LTD, AND THE SUB-CONTRACTOR	DRAWING SIZE - A1 DRAWING REV - 8.0
	SCALE 1:100
	DRAWN BY: <i>[Signature]</i> DATE: 20.08.12
	CHECKED BY: <i>[Signature]</i> DATE: 20.08.12
	APPROVED BY: <i>[Signature]</i> DATE: 20.08.12
	DRAWING NUMBER: G800208120
	SHEET 2 OF 2